



6390 Philips Highway  
Jacksonville, FL 32216  
Phone (904) 737-7144

## SPECIFICATION DATA SHEET

Date: 11/26/07

Drawn by: Donald Jr.

## MODEL No. 1582

INSULATED REGISTER BOX  
with ADJUSTABLE ANGLE COLLAR

### DIMENSIONAL DATA

4-1/2" HIGH FRAMED BOX

OUTER BOX DIMENSION IS 3" GREATER THAN REGISTER DIMENSION.

### FABRICATION DATA

FABRICATED FROM 30 GAUGE GALVANIZED STEEL.

INTERNALLY INSULATED WITH R-6 INSULATION.

### FEATURES

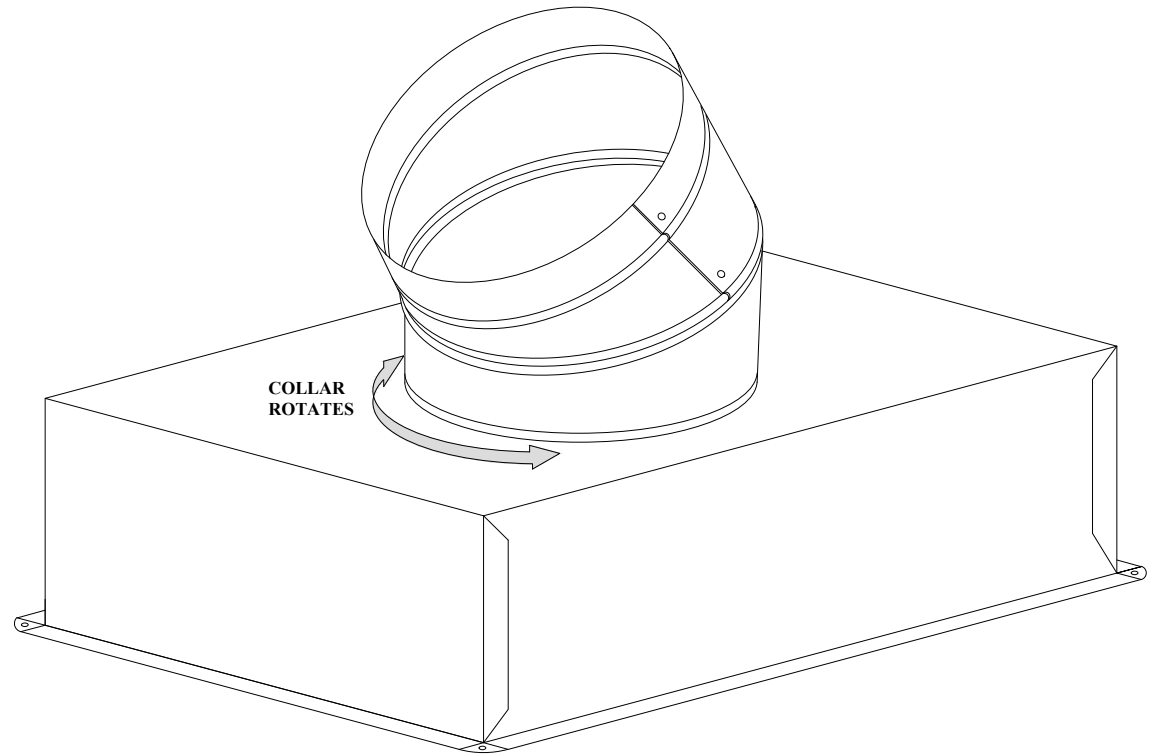
BLACK INTERIOR

SOLID CORNERS WITH HANGER HOLES.

1/2" DRYWALL FLANGE.

5 HOLE CLUSTER FOR REGISTER ATTACHMENT.

ROTATING, ADJUSTABLE 45° ANGLE COLLAR.



### OPTIONS

### SPECIAL NOTES

INTERNAL INSULATION USED MEETS THE REQUIREMENTS OF ASTM C 1338 (FORMERLY ASTM C 665) STANDARD TEST FOR FUNGI RESISTANCE.