



6390 Philips Highway
 Jacksonville, FL 32216
 Phone (904) 737-7144

SPECIFICATION DATA SHEET

Date: 10/12/21

Drawn by: J.E.P.

Model No. 757-N

**SPECIAL DRAIN PAN
 NO NIPPLE**

DIMENSIONAL DATA

2" DEEP DRAIN PAN

STANDARD SIZES: "A" x "B"

- 24" x 48"
- 30" x 60"
- 30" x 66"

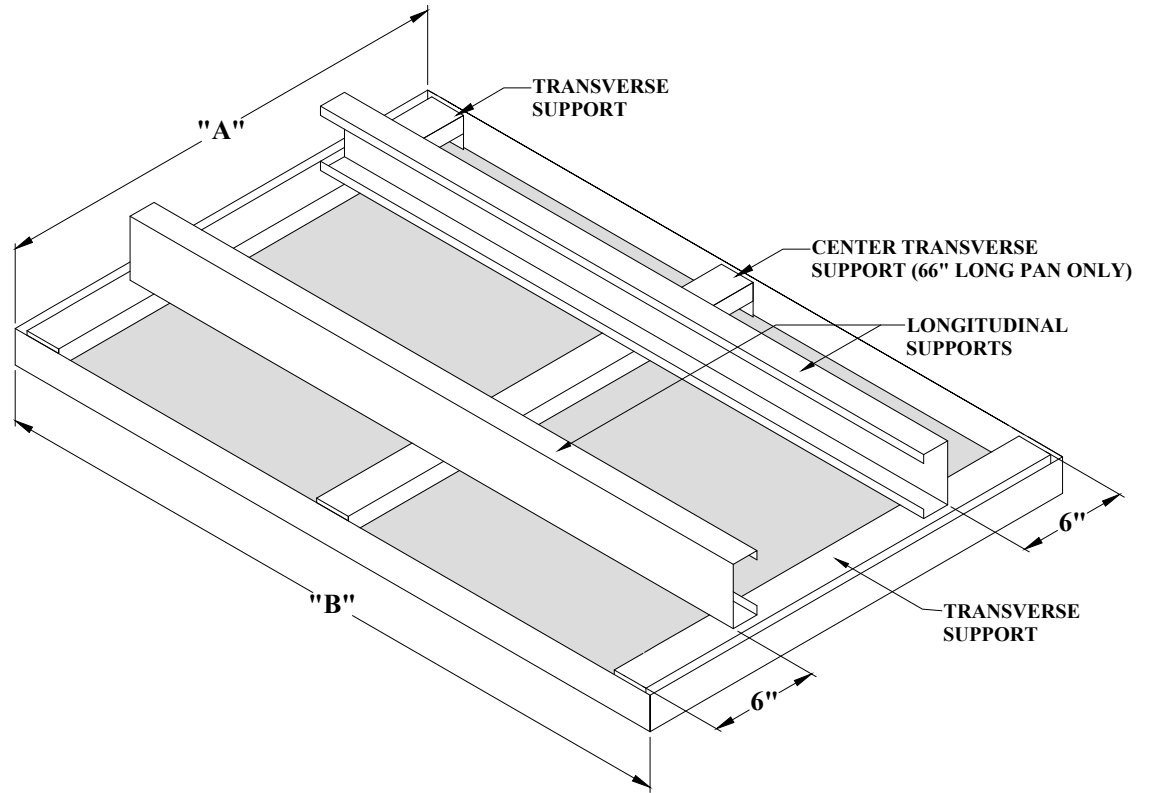
FABRICATION DATA

PAN MATERIAL:
 24 GAUGE GALVANIZED STEEL SHEET PER
 ASTM-A653 CS TYPE B.

SUPPORTS MATERIAL:
 20 GAUGE GALVANIZED STEEL SHEET PER
 ASTM-A653 CS TYPE B.

FEATURES

NO NIPPLE



n.t.s.

OPTIONS

SPECIAL NOTES