



6390 Philips Highway  
Jacksonville, FL 32216  
Phone (904) 737-7144

## SPECIFICATION DATA SHEET

# MODEL No. 349-SD (SPECIAL)

RECTANGULAR SIDEWALL VENT with SCREEN & DAMPER  
RECTANGULAR SLEEVE 10" LONG

Date: 03/02/21 rev.

Drawn by: JEP

### DIMENSIONAL DATA

STANDARD SIZE AVAILABLE:

A	B	C
3 1/4"	10"	10"
3 1/4"	12"	10"

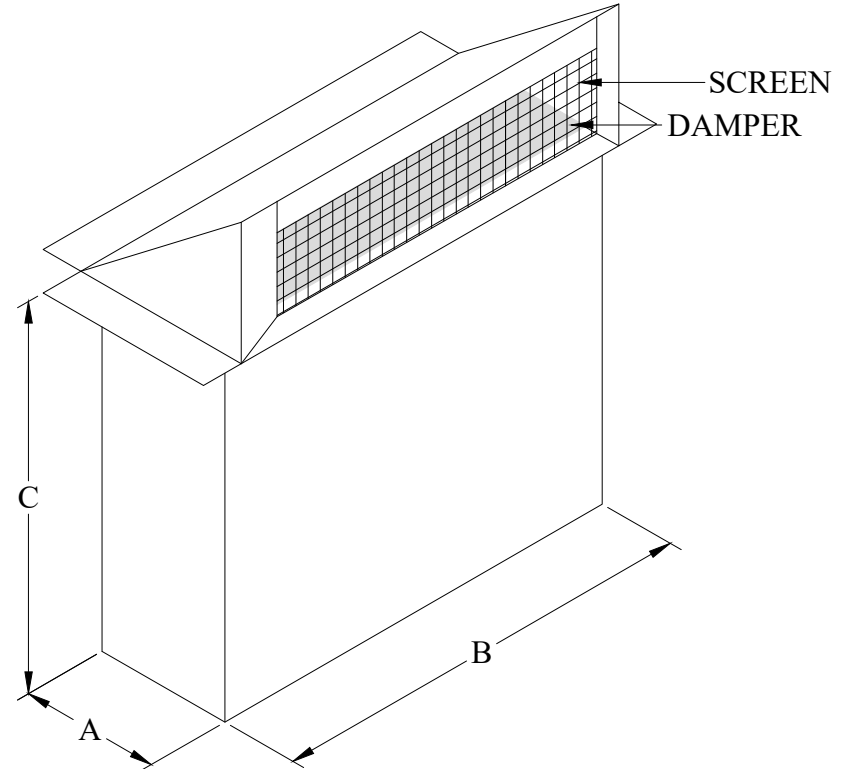
### FABRICATION DATA

MATERIAL:  
FABRICATED FROM HOT DIPPED GALVANIZED  
STEEL SHEET PER ASTM-A653 CS TYPE B.  
28 GAUGE STANDARD.

### FEATURES

1/4" HARDWARE CLOTH SPOT WELDED OVER  
VENT OPENING.

FLAPPER DAMPER INSTALLED.



### OPTIONS

### SPECIAL NOTES