



Commercial Duct Division
3545 New Kings Road
Jacksonville, FL 32209
Phone 800-818-7144
Fax 904-924-0841

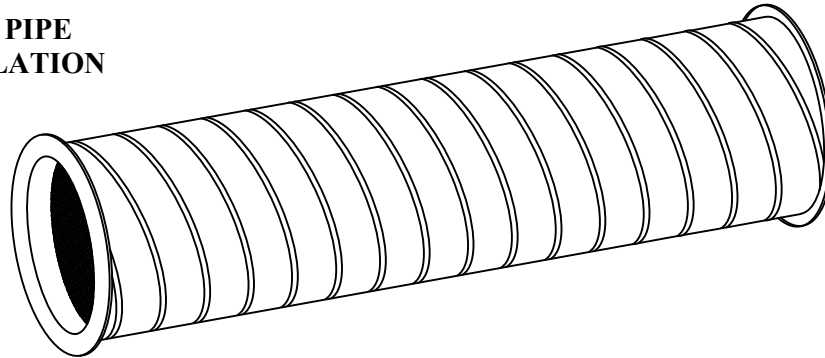
SPECIFICATION DATA SHEET DOUBLE WALL SPIRAL DUCT

WITH 2" INTERNAL INSULATION

Spec Sheet 1 of 6

No. DW6101

DOUBLE WALL SPIRAL PIPE
WITH 2" INTERNAL INSULATION



👑 INNER WALL: PIPE DIAMETER, 6" THRU 50" DIAMETERS AVAILABLE

- MATERIAL: PERFORATED GALVANIZED STEEL, $\frac{3}{32}$ " DIAMETER HOLE, $\frac{3}{16}$ " CENTER STAGGER
- OPTIONAL MATERIAL: GALVANIZED STEEL (NON PERFORATED)
- OPTIONAL MYLAR WRAP - INNER CORE

👑 OUTER WALL: PIPE DIAMETER + 4" MATERIAL AVAILABLE:

- GALVANIZED G60 STEEL PER ASTM A653, CS TYPE B.
- GALVANIZED G90 STEEL PER ASTM A653, CS TYPE B.
- GALVANNEALED STEEL (PAINTABLE) PER ASTM A653. COATING DESIGNATION A40.
- STAINLESS STEEL TYPE 304 2B (.024" THICK)

👑 INTERNAL INSULATION:

- 2 LAYERS OF 1" THICK FIBERGLASS LINER (STANDARD)
- 2" THICK JOHNS MANVILLE LINACOUSTIC RC (OPTIONAL)

👑 PIPE CONSTRUCTION:

SPIRAL LOCK SEAM SMACNA RL - 1.
8 FT. JOINTS STANDARD.
ALL DUCT AND FITTINGS ARE MADE PER SMACNA DUCT CONSTRUCTION
STANDARDS (+10" w.g.)

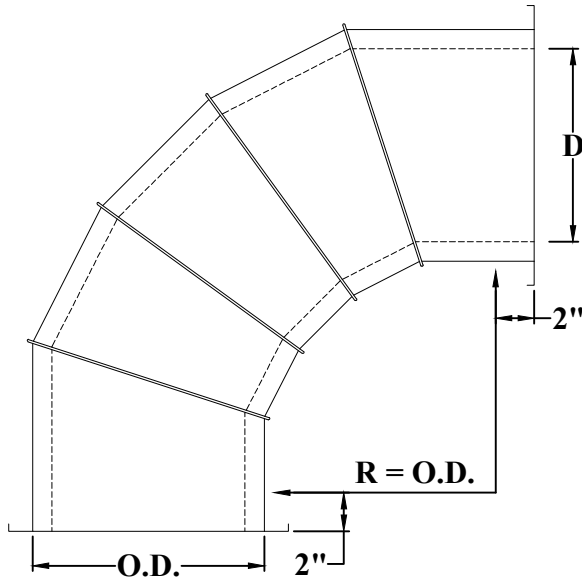
👑 FITTING CONSTRUCTION:

SOLID (NON-PERFORATED) INNER CORE AND OUTER SHELL

👑 TRANSVERSE CONNECTIONS:

FACTORY INSTALLED 18 GAUGE OUTBOARD FLANGE WITH FIELD INSTALLED BUTYL
GASKET (SUPPLIED). SCREWED TOGETHER WITH #10 TEK SCREWS

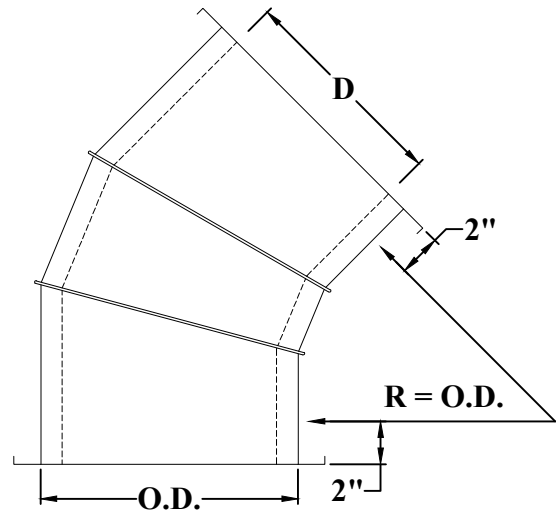
No. DW6111



90° 5-PIECE GORELOCK ELBOW

6" THRU 14" DIAMETER = 24 GAUGE GALVANIZED STEEL
16" THRU 26" DIAMETER = 22 GAUGE GALVANIZED STEEL
28" THRU 50" DIAMETER = 20 GAUGE GALVANIZED STEEL

No. DW6121

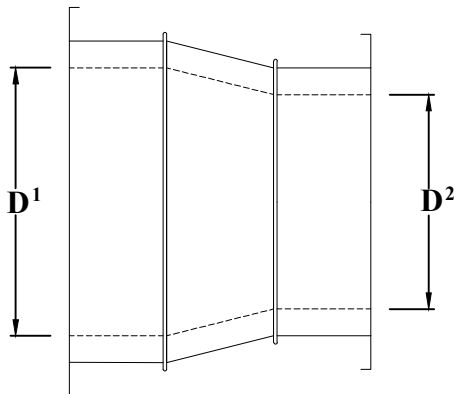


45° 3-PIECE GORELOCK ELBOW

CUSTOM ANGLES AVAILABLE: FOR EXAMPLE 30°, 60°, 75°

6" THRU 14" DIAMETER = 24 GAUGE GALVANIZED STEEL
16" THRU 26" DIAMETER = 22 GAUGE GALVANIZED STEEL
28" THRU 50" DIAMETER = 20 GAUGE GALVANIZED STEEL

No. DW6265

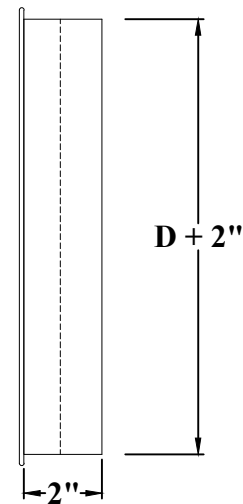


CONCENTRIC REDUCER

$D^1 \text{ MINUS } D^2 + 4" = \text{TOTAL LENGTH}$

6" THRU 14" DIAMETER = 24 GAUGE GALVANIZED STEEL
16" THRU 26" DIAMETER = 22 GAUGE GALVANIZED STEEL
28" THRU 50" DIAMETER = 20 GAUGE GALVANIZED STEEL

No. DW6273

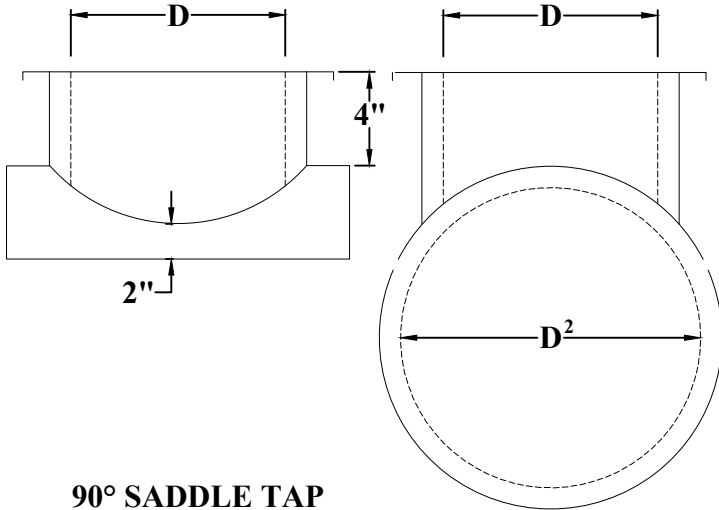


END CAP

END CAP SLIPS INSIDE OUTER PIPE SHELL AFTER FLANGE REMOVAL

6" THRU 14" DIAMETER = 24 GAUGE GALVANIZED STEEL
16" THRU 26" DIAMETER = 22 GAUGE GALVANIZED STEEL
28" THRU 50" DIAMETER = 20 GAUGE GALVANIZED STEEL

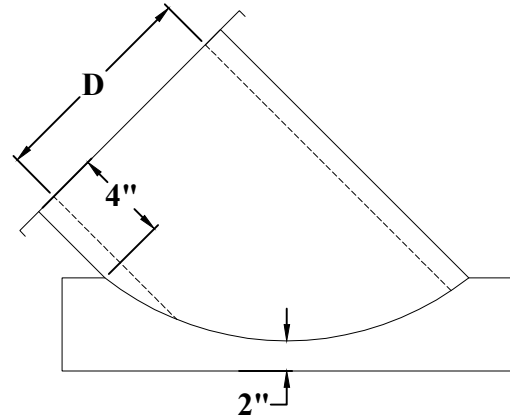
No. DW6307



90° SADDLE TAP

6" THRU 14" DIAMETER = 24 GAUGE GALVANIZED STEEL
16" THRU 26" DIAMETER = 22 GAUGE GALVANIZED STEEL
28" THRU 50" DIAMETER = 20 GAUGE GALVANIZED STEEL

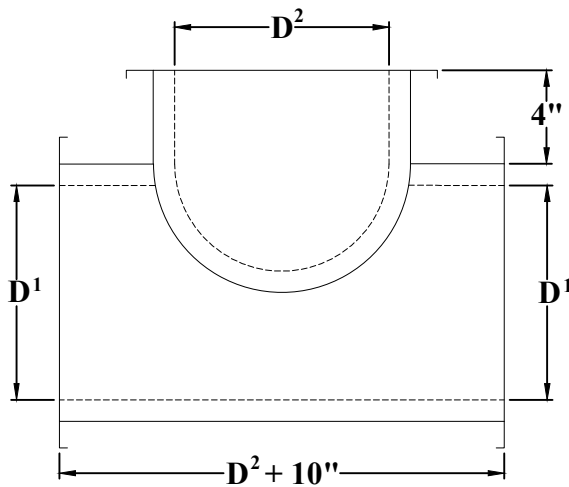
No. DW6307L



45° LATERAL SADDLE TAP

6" THRU 14" DIAMETER = 24 GAUGE GALVANIZED STEEL
16" THRU 26" DIAMETER = 22 GAUGE GALVANIZED STEEL
28" THRU 50" DIAMETER = 20 GAUGE GALVANIZED STEEL

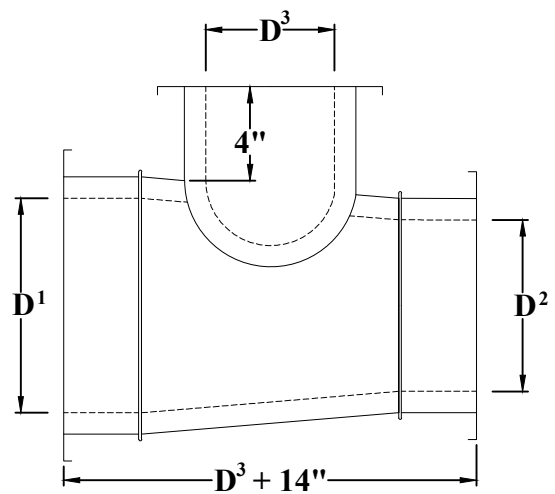
No. DW6271



90° TEE

6" THRU 14" DIAMETER = 24 GAUGE GALVANIZED STEEL
16" THRU 26" DIAMETER = 22 GAUGE GALVANIZED STEEL
28" THRU 50" DIAMETER = 20 GAUGE GALVANIZED STEEL

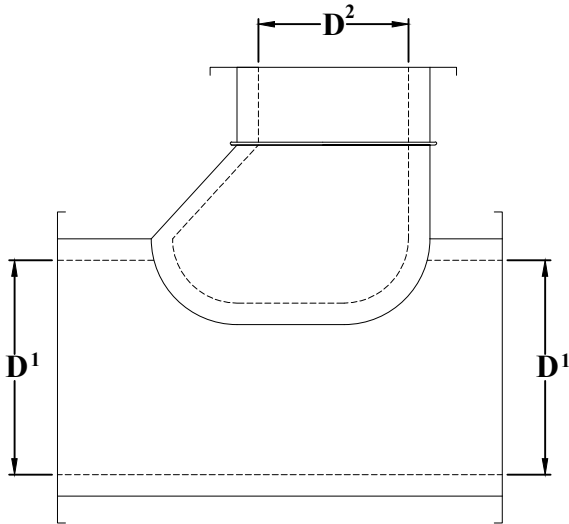
No. DW6271R



REDUCING 90° TEE

8" THRU 14" DIAMETER = 24 GAUGE GALVANIZED STEEL
16" THRU 26" DIAMETER = 22 GAUGE GALVANIZED STEEL
28" THRU 50" DIAMETER = 20 GAUGE GALVANIZED STEEL

No. DW6271B

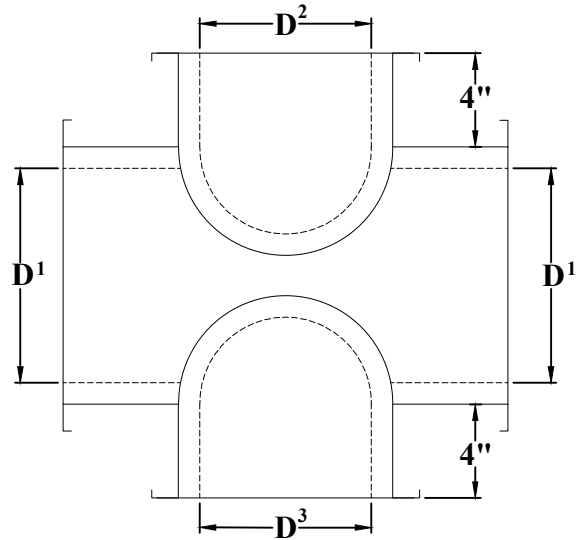


90° BOOT TEE

FOR REDUCING 90° BOOT TEE: REDUCER SOLD AND SHIPPED SEPARATELY.

6" THRU 14" DIAMETER = 24 GAUGE GALVANIZED STEEL
16" THRU 26" DIAMETER = 22 GAUGE GALVANIZED STEEL
28" THRU 50" DIAMETER = 20 GAUGE GALVANIZED STEEL

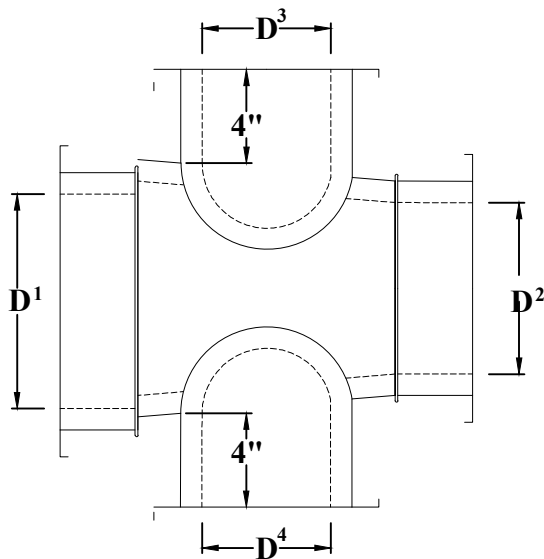
No. DW6271X



90° TEE CROSS

6" THRU 14" DIAMETER = 24 GAUGE GALVANIZED STEEL
16" THRU 26" DIAMETER = 22 GAUGE GALVANIZED STEEL
28" THRU 50" DIAMETER = 20 GAUGE GALVANIZED STEEL

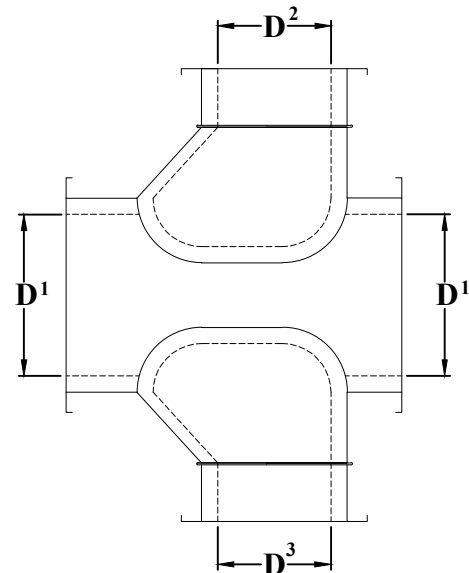
No. DW6271XR



REDUCING 90° TEE CROSS

8" THRU 14" DIAMETER = 24 GAUGE GALVANIZED STEEL
16" THRU 26" DIAMETER = 22 GAUGE GALVANIZED STEEL
28" THRU 50" DIAMETER = 20 GAUGE GALVANIZED STEEL

No. DW6271XB

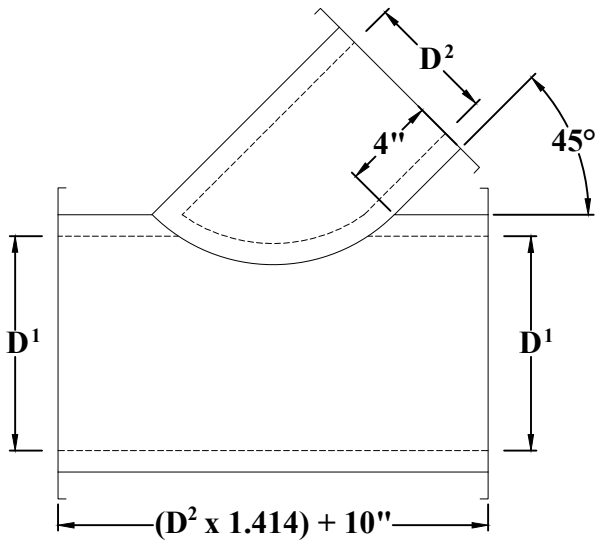


90° BOOT TEE CROSS

FOR REDUCING 90° BOOT TEE CROSS: REDUCER SOLD AND SHIPPED SEPARATELY.

6" THRU 14" DIAMETER = 24 GAUGE GALVANIZED STEEL
16" THRU 26" DIAMETER = 22 GAUGE GALVANIZED STEEL
28" THRU 50" DIAMETER = 20 GAUGE GALVANIZED STEEL

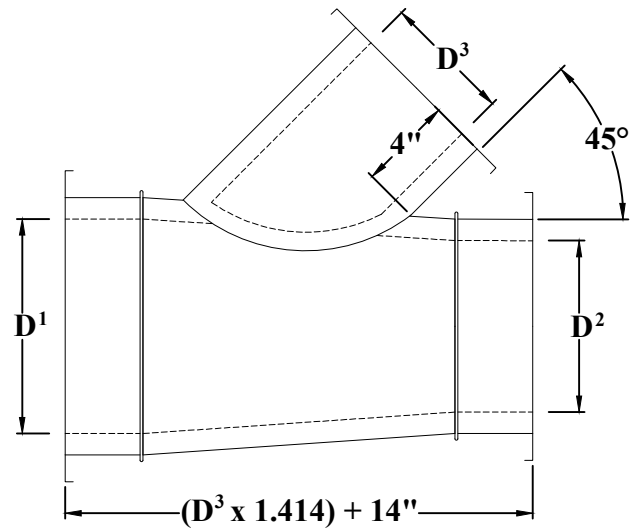
No. DW6276



45° LATERAL

6" THRU 14" DIAMETER = 24 GAUGE GALVANIZED STEEL
16" THRU 26" DIAMETER = 22 GAUGE GALVANIZED STEEL
28" THRU 50" DIAMETER = 20 GAUGE GALVANIZED STEEL

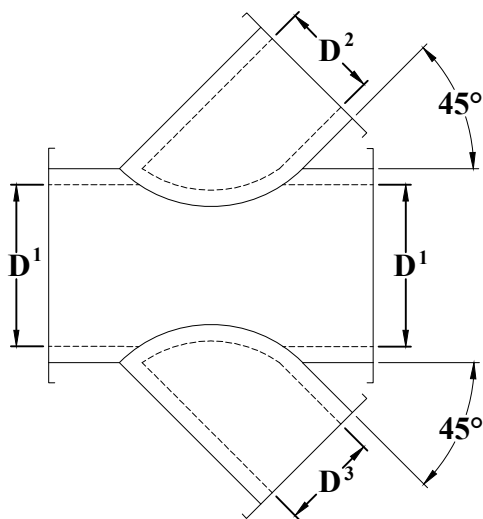
No. DW6276R



REDUCING 45° LATERAL

8" THRU 14" DIAMETER = 24 GAUGE GALVANIZED STEEL
16" THRU 26" DIAMETER = 22 GAUGE GALVANIZED STEEL
28" THRU 50" DIAMETER = 20 GAUGE GALVANIZED STEEL

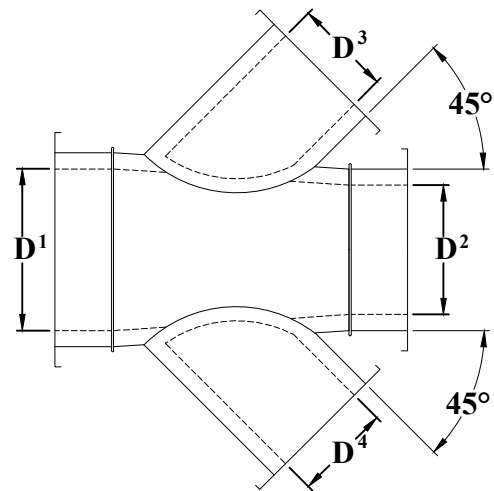
No. DW6276X



45° LATERAL CROSS

6" THRU 14" DIAMETER = 24 GAUGE GALVANIZED STEEL
16" THRU 26" DIAMETER = 22 GAUGE GALVANIZED STEEL
28" THRU 50" DIAMETER = 20 GAUGE GALVANIZED STEEL

No. DW6276XR



REDUCING 45° LATERAL CROSS

8" THRU 14" DIAMETER = 24 GAUGE GALVANIZED STEEL
16" THRU 26" DIAMETER = 22 GAUGE GALVANIZED STEEL
28" THRU 50" DIAMETER = 20 GAUGE GALVANIZED STEEL



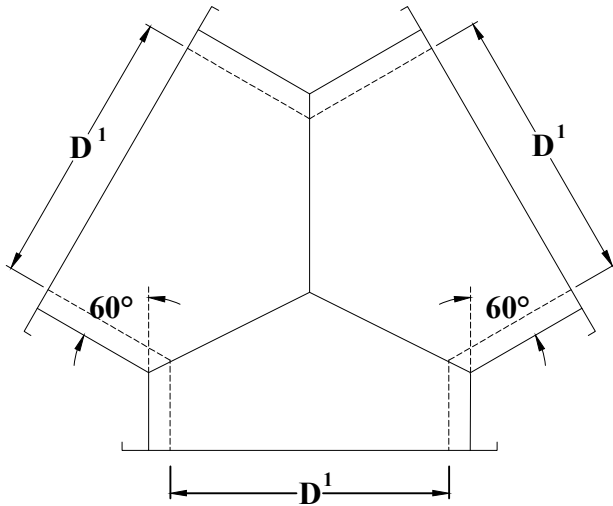
Commercial Duct Division
 3545 New Kings Road
 Jacksonville, FL 32209
 Phone 800-818-7144
 Fax 904-924-0841

SPECIFICATION DATA SHEET DOUBLE WALL SPIRAL DUCT

WITH 2" INTERNAL INSULATION

Spec Sheet 6 of 6

No. DW6277

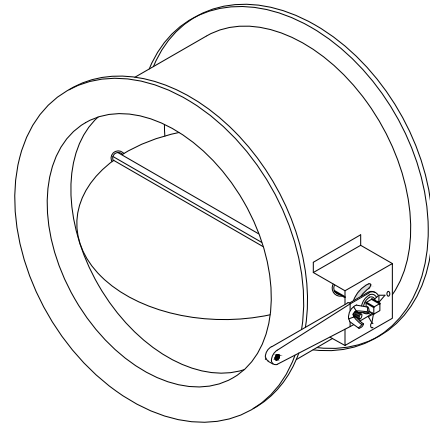


BULL NOSE WYE

FOR REDUCING BULL NOSE WYE: REDUCERS SOLD AND SHIPPED SEPARATELY.

6" THRU 14" DIAMETER = 24 GAUGE GALVANIZED STEEL
 16" THRU 26" DIAMETER = 22 GAUGE GALVANIZED STEEL
 28" THRU 50" DIAMETER = 20 GAUGE GALVANIZED STEEL

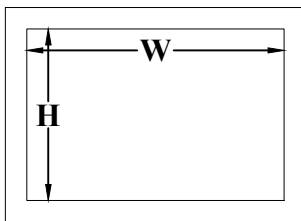
No. DW6175



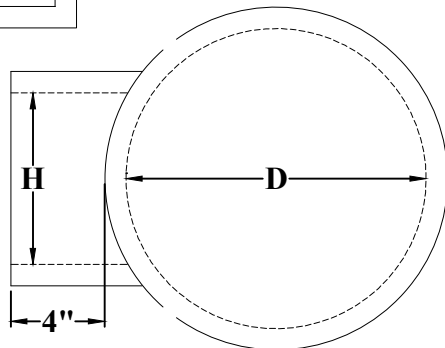
DOUBLE WALL SLEEVE WITH MANUAL VOLUME DAMPER

6" THRU 14" DIAMETER = 24 GAUGE GALVANIZED STEEL
 16" THRU 20" DIAMETER = 22 GAUGE GALVANIZED STEEL

No. DW6406



W x H = GRILLE
 DIMENSIONS



GRILLE TAP

24 GAUGE GALVANIZED STEEL