



Commercial Duct Division
3545 New Kings Road
Jacksonville, FL 32209
Phone (904) 924-8340

CROWN No. 800 SERIES TDF DUCTWORK

DUCTWORK FABRICATED PER SMACNA HVAC DUCT CONSTRUCTION STANDARDS 3rd EDITION - 2005.

- G-60 GALVANIZED STEEL (STANDARD)
- G-90 GALVANIZED STEEL
- PAINT-GRIP STEEL
- ALUMINUM 3003-H14

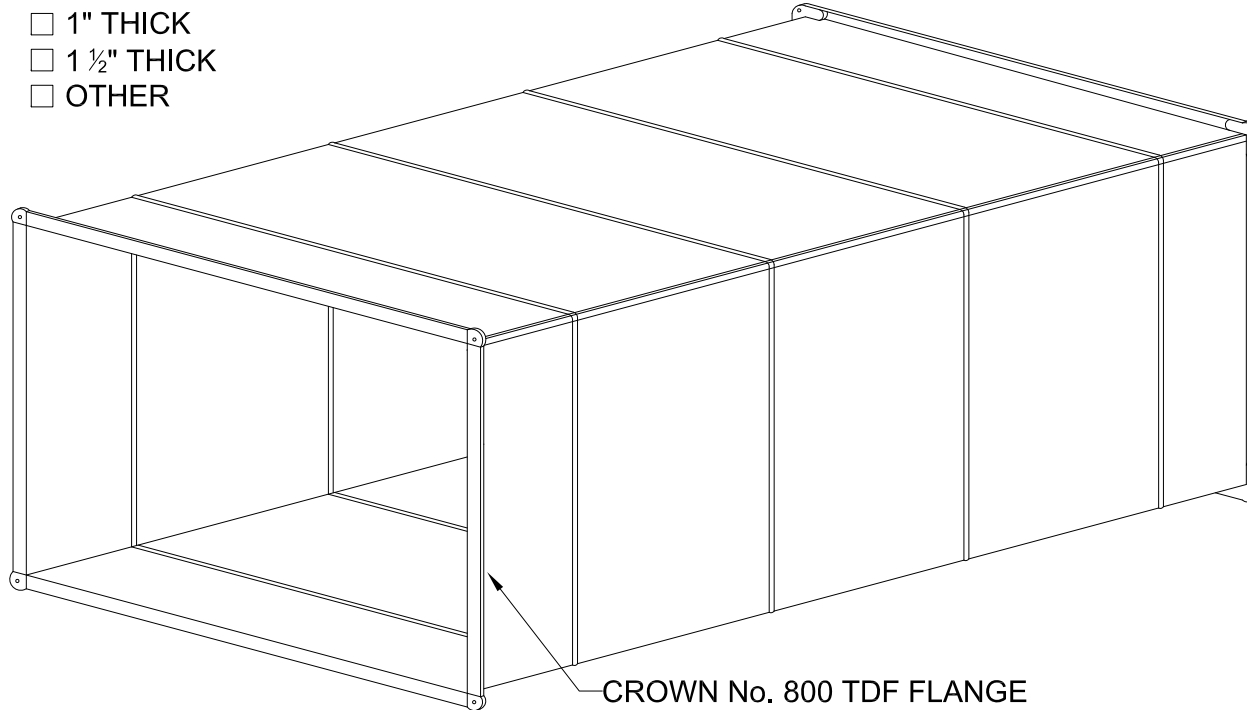
TDF STRAIGHT DUCT SUPPLIED IN HALF SECTIONS READY FOR ASSEMBLY. TDF STRAIGHT DUCT SUPPLIED IN 56" AND 44" LENGTHS STANDARD. SHORTER LENGTHS AVAILABLE. BUTTON-PUNCH SNAPLOCK AND PITTSBURGH LOCK LONGITUDINAL SEAMS AVAILABLE.

TDF FITTINGS SUPPLIED ASSEMBLED.

ACCESSORIES: CORNER BRACKETS, GASKET MATERIAL, CARRIAGE BOLTS/NUTS AND 6" LONG DUCT FASTENING CLIPS FURNISHED.

INTERNAL INSULATION.

- NONE
- ½" THICK
- 1" THICK
- 1 ½" THICK
- OTHER



CROWN No. 800 TDF FLANGE

N.T.S.
DRAWN BY: MDC
08.15.19