



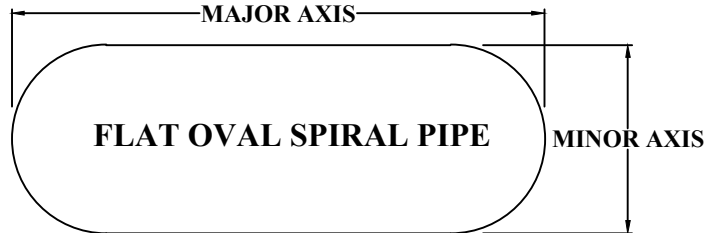
Commercial Duct Division  
 3545 New Kings Road  
 Jacksonville, FL 32209  
 Phone 800-818-7144  
 Fax 904-924-0841

# SPECIFICATION DATA SHEET

## FLAT OVAL SPIRAL DUCT

Spec Sheet 1 of 6

**No. FO6101**  
**FLAT OVAL SPIRAL PIPE**



**SIZE CHART**

Spiral Size	Minor Axis									Duct Gauge
	6"	8"	10"	12"	14"	16"	18"	20"	22"	
14	19"	17"	16"							22 Gauge
15	20"	19"	18"							
16	22"	21"	19"	18"						
17	23"	22"	21"	20"						
18	24"	24"	23"	21"	20"					
19	26"	25"	24"	23"	22"					
20	28"	27"	26"	25"	23"	22"				
22	31"	30"	29"	28"	27"	25"	24"			
24	34"	33"	32"	31"	30"	29"	27"	26"		
26	37"	36"	35"	34"	33"	32"	31"	29"	28"	
28	41"	39"	38"	37"	36"	35"	34"	33"	31"	
30	44"	43"	41"	40"	39"	38"	37"	36"	35"	
32	47"	46"	45"	43"	42"	41"	40"	39"	38"	
34	50"	49"	48"	47"	45"	44"	43"	42"	41"	
36	53"	52"	51"	50"	49"	47"	46"	45"	44"	
38	56"	55"	54"	53"	52"	51"	49"	48"	47"	
40	59"	58"	57"	56"	55"	54"	53"	51"	50"	
42	63"	61"	60"	59"	58"	57"	56"	55"	53"	
44		65"	63"	62"	61"	60"	59"	58"	57"	
46				65"	64"	63"	62"	61"	60"	
48							65"	64"	63"	

- 👑 MATERIAL:**
  - G-60 GALVANIZED STEEL PER ASTM A653, CS TYPE B.
  - G-90 GALVANIZED STEEL PER ASTM A653, CS TYPE B.
  - GALVANNEALED STEEL (PAINTABLE) PER ASTM A653. COATING DESIGNATION A40.
- 👑 PIPE CONSTRUCTION:**
  - SPIRAL LOCK SEAM SMACNA RL - 1.
  - 10 FT. JOINTS STANDARD.
  - CUT TO LENGTH JOINTS AVAILABLE UPON REQUEST.
- 👑 JOINT CONNECTIONS:**
  - PIPE-TO-PIPE CONNECTION MADE WITH A PIPE COUPLING.
  - FITTING-TO-PIPE CONNECTION MADE BY INSERTING FITTING INTO PIPE.
  - FLANGED CONNECTIONS AVAILABLE UPON REQUEST.
- 👑 FLAT OVAL DUCT IS FOR POSITIVE PRESSURE APPLICATIONS ONLY.**



**CROWN**  
PRODUCTS COMPANY, INC.

Commercial Duct Division  
3545 New Kings Road  
Jacksonville, FL 32209  
Phone 800-818-7144  
Fax 904-924-0841

**SPECIFICATION DATA SHEET**  
**FLAT OVAL SPIRAL FITTINGS**

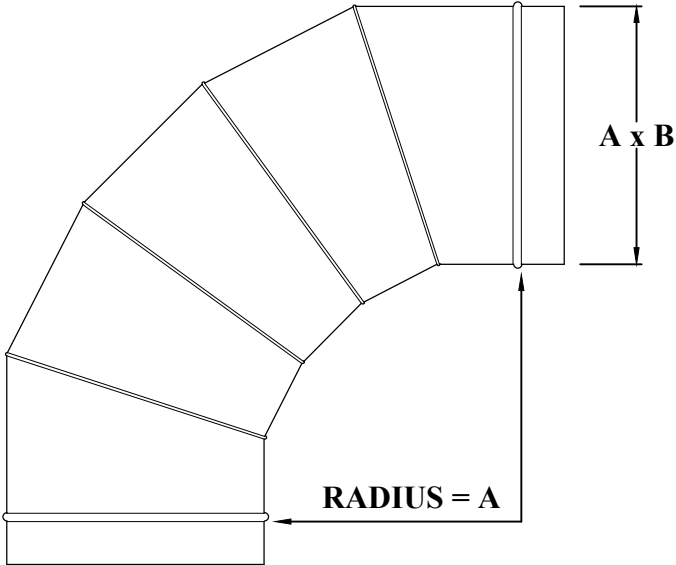
Spec Sheet 2 of 6

**No. FO6111**

**HARD BEND 90° ELBOW**

"A" = MAJOR AXIS DIMENSION.

"B" = MINOR AXIS DIMENSION.



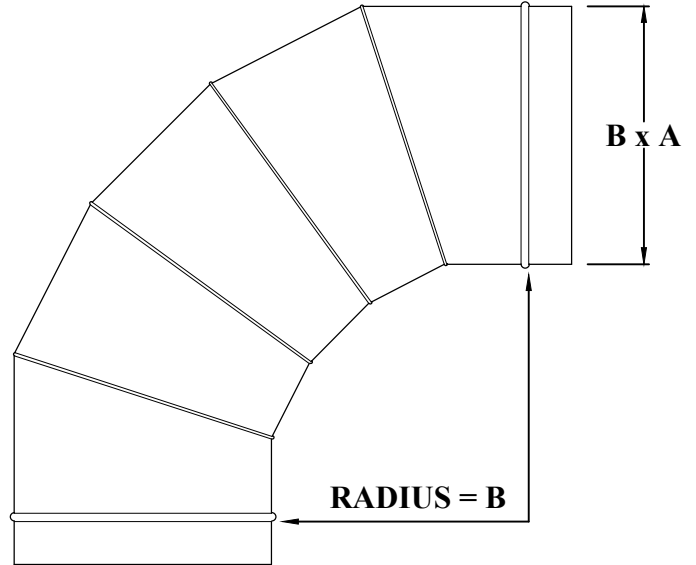
MAJOR AXIS DUCT DIMENSION UP THRU 36" = 20 GAUGE  
MAJOR AXIS DUCT DIMENSION 37" THRU 65" = 18 GAUGE

**No. FO6112**

**EASY BEND 90° ELBOW**

"B" = MINOR AXIS DIMENSION.

"A" = MAJOR AXIS DIMENSION.



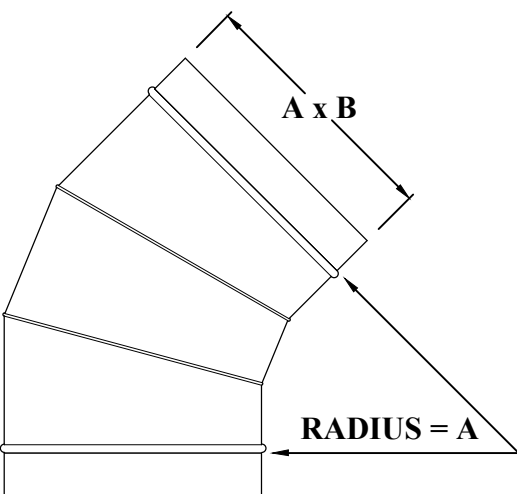
MAJOR AXIS DUCT DIMENSION UP THRU 36" = 20 GAUGE  
MAJOR AXIS DUCT DIMENSION 37" THRU 65" = 18 GAUGE

**No. FO6121**

**HARD BEND 45° ELBOW**

"A" = MAJOR AXIS DIMENSION.

"B" = MINOR AXIS DIMENSION.



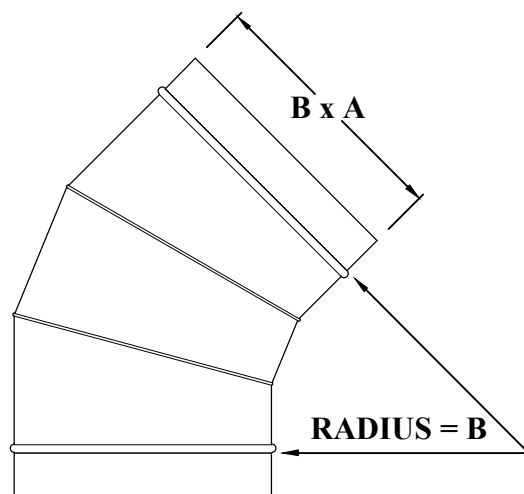
MAJOR AXIS DUCT DIMENSION UP THRU 36" = 20 GAUGE  
MAJOR AXIS DUCT DIMENSION 37" THRU 65" = 18 GAUGE

**No. FO6122**

**EASY BEND 45° ELBOW**

"B" = MINOR AXIS DIMENSION.

"A" = MAJOR AXIS DIMENSION.

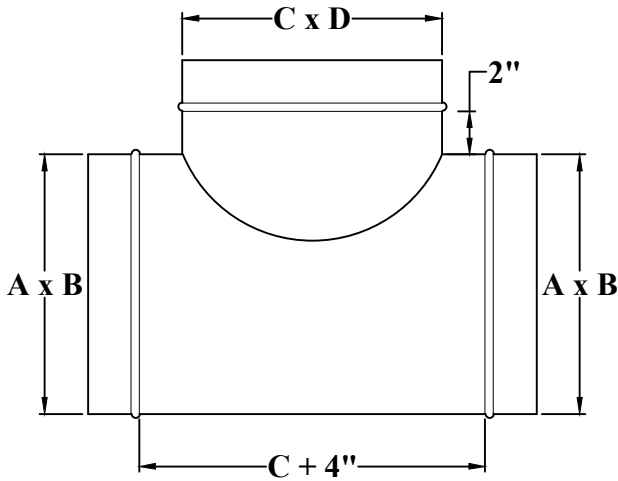


MAJOR AXIS DUCT DIMENSION UP THRU 36" = 20 GAUGE  
MAJOR AXIS DUCT DIMENSION 37" THRU 65" = 18 GAUGE

**No. FO6271**

**90° TEE**

"A" & "C" = MAJOR AXIS DIMENSION.  
"B" & "D" = MINOR AXIS DIMENSION.

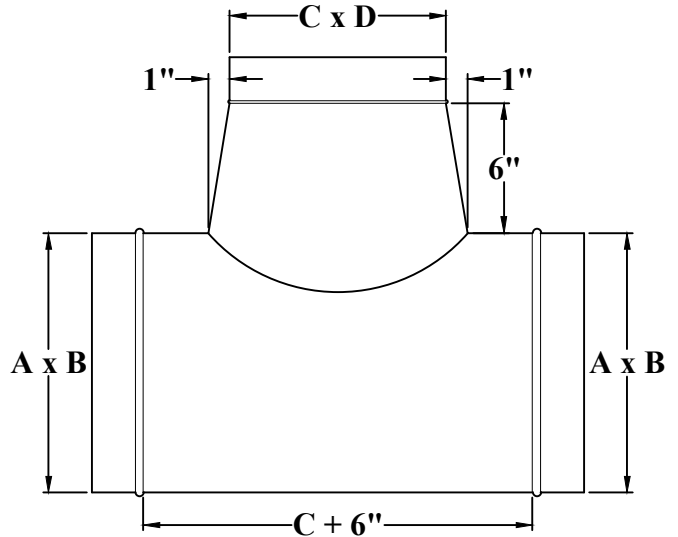


MAJOR AXIS DUCT DIMENSION UP THRU 36" = 20 GAUGE  
MAJOR AXIS DUCT DIMENSION 37" THRU 65" = 18 GAUGE

**No. FO6271C**

**90° CONICAL TEE**

"A" & "C" = MAJOR AXIS DIMENSION.  
"B" & "D" = MINOR AXIS DIMENSION.  
CONICAL TAPER ONLY ON MAJOR AXIS DIMENSION.

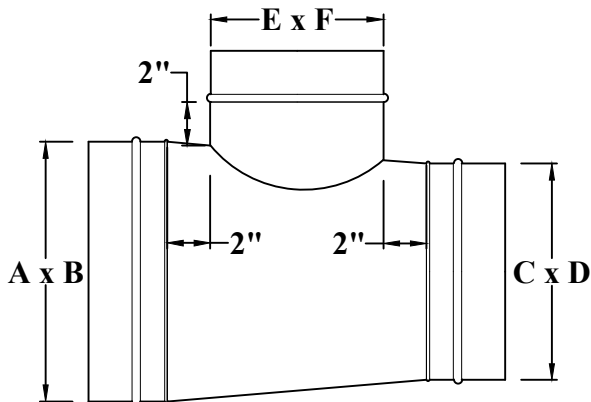


MAJOR AXIS DUCT DIMENSION UP THRU 36" = 20 GAUGE  
MAJOR AXIS DUCT DIMENSION 37" THRU 65" = 18 GAUGE

**No. FO6271R**

**REDUCING 90° TEE**

"A", "C" & "E" = MAJOR AXIS DIMENSION.  
"B", "D" & "F" = MINOR AXIS DIMENSION.

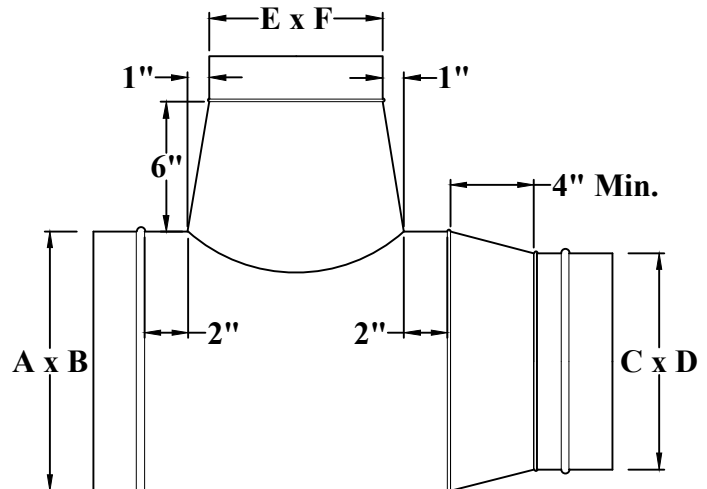


MAJOR AXIS DUCT DIMENSION UP THRU 36" = 20 GAUGE  
MAJOR AXIS DUCT DIMENSION 37" THRU 65" = 18 GAUGE

**No. FO6271RC**

**REDUCING 90° CONICAL TEE**

"A", "C" & "E" = MAJOR AXIS DIMENSION.  
"B", "D" & "F" = MINOR AXIS DIMENSION.  
CONICAL TAPER ONLY ON MAJOR AXIS DIMENSION.



MAJOR AXIS DUCT DIMENSION UP THRU 36" = 20 GAUGE  
MAJOR AXIS DUCT DIMENSION 37" THRU 65" = 18 GAUGE



**CROWN**  
PRODUCTS COMPANY, INC.

Commercial Duct Division  
3545 New Kings Road  
Jacksonville, FL 32209  
Phone 800-818-7144  
Fax 904-924-0841

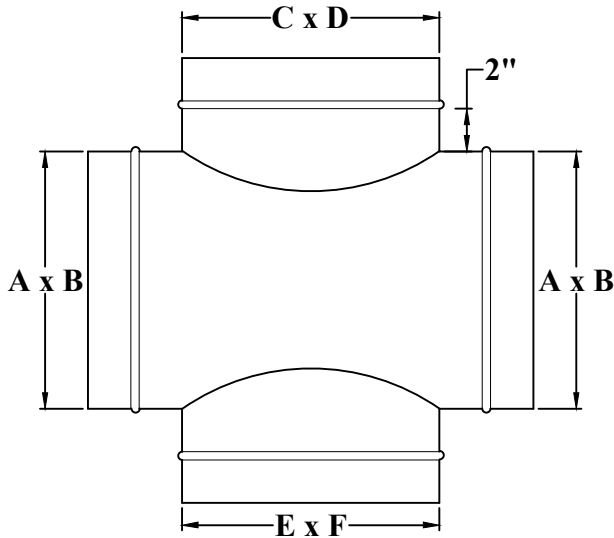
**SPECIFICATION DATA SHEET**  
**FLAT OVAL SPIRAL FITTINGS**

Spec Sheet 4 of 6

**No. FO6271X**

**90° TEE CROSS**

"A", "C" & "E" = MAJOR AXIS DIMENSION.  
"B", "D" & "F" = MINOR AXIS DIMENSION.

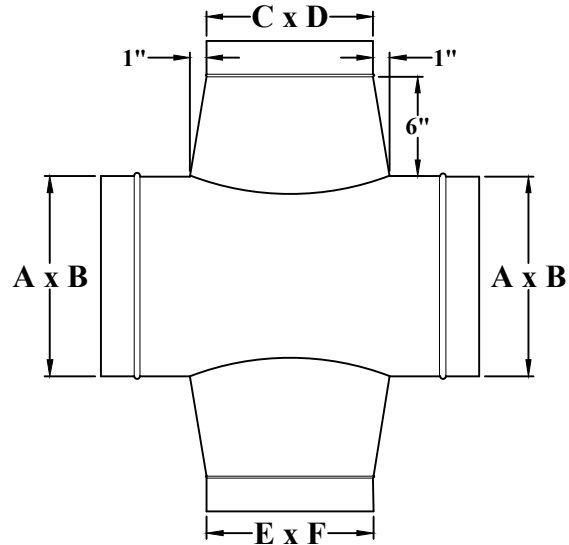


MAJOR AXIS DUCT DIMENSION UP THRU 36" = 20 GAUGE  
MAJOR AXIS DUCT DIMENSION 37" THRU 65" = 18 GAUGE

**No. FO6271XC**

**90° CONICAL TEE CROSS**

"A", "C" & "E" = MAJOR AXIS DIMENSION.  
"B", "D" & "F" = MINOR AXIS DIMENSION.  
CONICAL TAPER ONLY ON MAJOR AXIS DIMENSION.

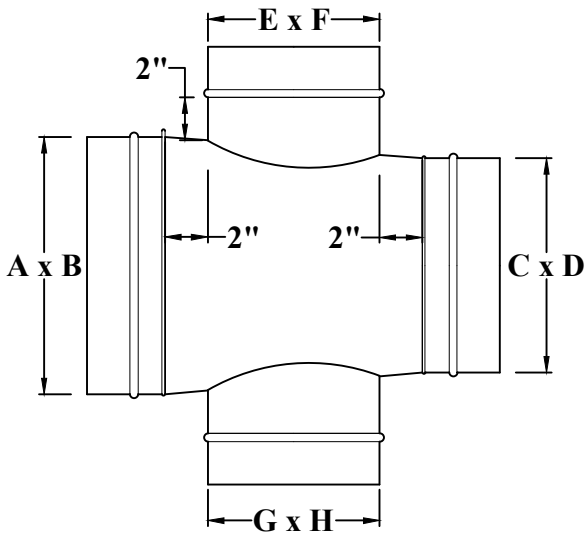


MAJOR AXIS DUCT DIMENSION UP THRU 36" = 20 GAUGE  
MAJOR AXIS DUCT DIMENSION 37" THRU 65" = 18 GAUGE

**No. FO6271XR**

**REDUCING 90° TEE CROSS**

"A", "C", "E" & "G" = MAJOR AXIS DIMENSION.  
"B", "D", "F" & "H" = MINOR AXIS DIMENSION.

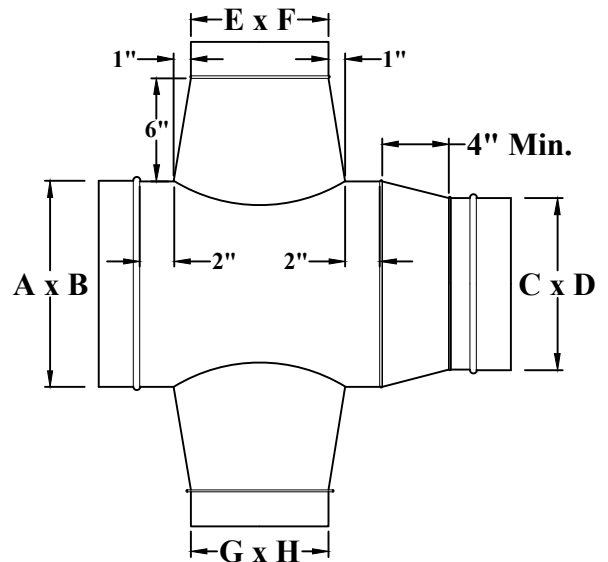


MAJOR AXIS DUCT DIMENSION UP THRU 36" = 20 GAUGE  
MAJOR AXIS DUCT DIMENSION 37" THRU 65" = 18 GAUGE

**No. FO6271XRC**

**REDUCING 90° CONICAL TEE CROSS**

"A", "C", "E" & "G" = MAJOR AXIS DIMENSION.  
"B", "D", "F" & "H" = MINOR AXIS DIMENSION.  
CONICAL TAPER ONLY ON MAJOR AXIS DIMENSION.



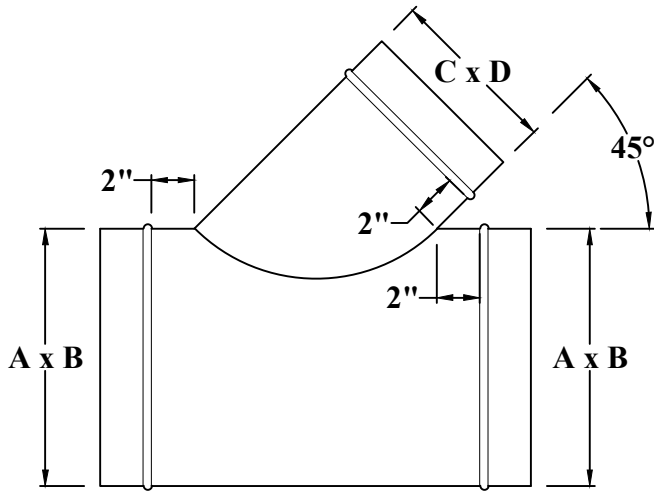
MAJOR AXIS DUCT DIMENSION UP THRU 36" = 20 GAUGE  
MAJOR AXIS DUCT DIMENSION 37" THRU 65" = 18 GAUGE

**No. FO6276**

**45° LATERAL**

"A" & "C" = MAJOR AXIS DIMENSION.

"B" & "D" = MINOR AXIS DIMENSION.



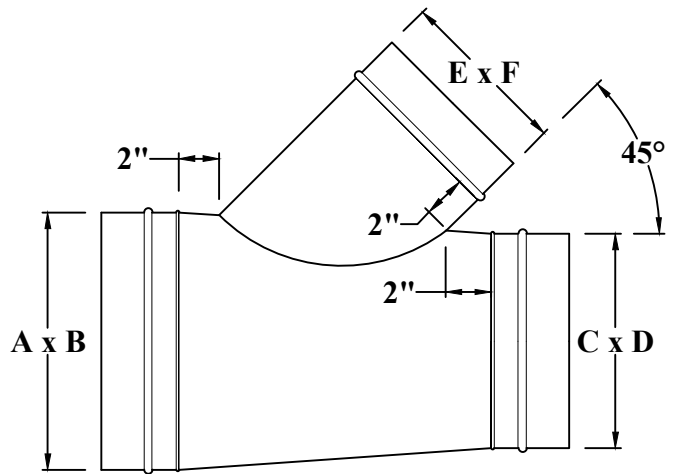
MAJOR AXIS DUCT DIMENSION UP THRU 36" = 20 GAUGE  
MAJOR AXIS DUCT DIMENSION 37" THRU 65" = 18 GAUGE

**No. FO6276R**

**45° REDUCING LATERAL**

"A", "C" & "E" = MAJOR AXIS DIMENSION.

"B", "D" & "F" = MINOR AXIS DIMENSION.



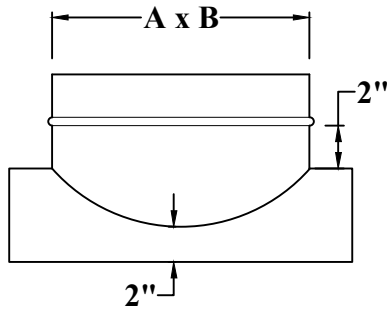
MAJOR AXIS DUCT DIMENSION UP THRU 36" = 20 GAUGE  
MAJOR AXIS DUCT DIMENSION 37" THRU 65" = 18 GAUGE

**No. FO6307**

**90° SADDLE TAP**

"A" = MAJOR AXIS DIMENSION.

"B" = MINOR AXIS DIMENSION.



NOTE MINOR AXIS DIMENSION SADDLE TAP IS TO FIT.

MAJOR AXIS DUCT DIMENSION UP THRU 36" = 20 GAUGE  
MAJOR AXIS DUCT DIMENSION 37" THRU 65" = 18 GAUGE

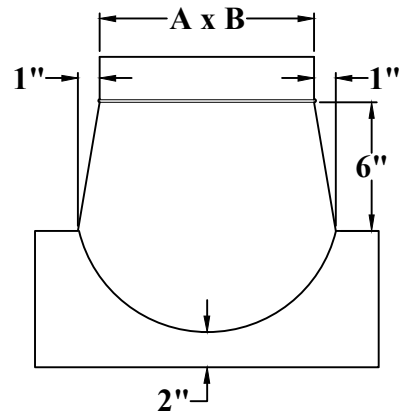
**No. FO6307C**

**90° CONICAL SADDLE TAP**

"A" = MAJOR AXIS DIMENSION.

"B" = MINOR AXIS DIMENSION.

CONICAL TAPER ONLY ON MAJOR AXIS DIMENSION.



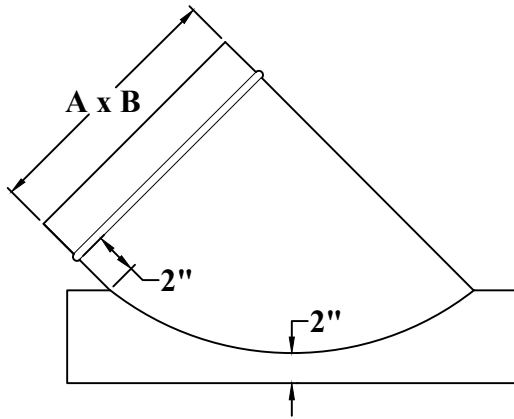
NOTE MINOR AXIS DIMENSION SADDLE TAP IS TO FIT.

MAJOR AXIS DUCT DIMENSION UP THRU 36" = 20 GAUGE  
MAJOR AXIS DUCT DIMENSION 37" THRU 65" = 18 GAUGE

**No. FO6307L**

**45° SADDLE TAP**

"A" = MAJOR AXIS DIMENSION  
"B" = MINOR AXIS DIMENSION.

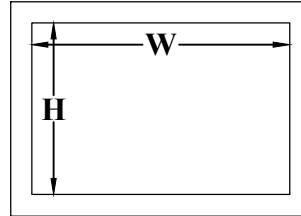


NOTE MINOR AXIS DIMENSION SADDLE TAP IS TO FIT.

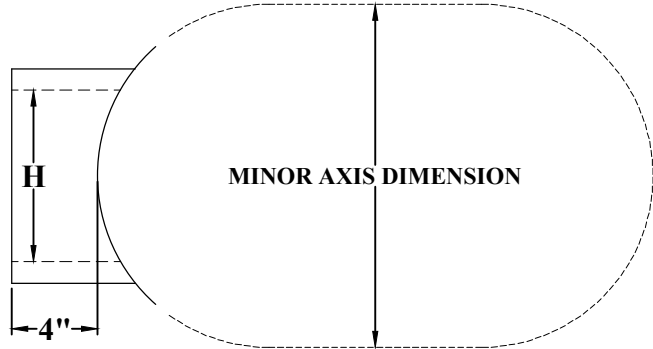
MAJOR AXIS DUCT DIMENSION UP THRU 36" = 20 GAUGE  
MAJOR AXIS DUCT DIMENSION 37" THRU 65" = 18 GAUGE

**No. FO6406**

**GRILLE TAP**



W x H = GRILLE DIMENSIONS  
NOTE MINOR AXIS DIMENSION  
GRILLE TAP IS TO FIT.

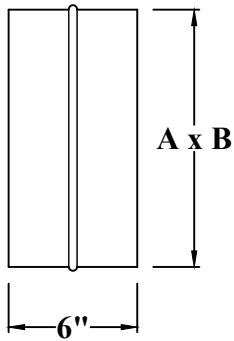


24 GAUGE

**No. FO6680**

**COUPLING FOR PIPE**

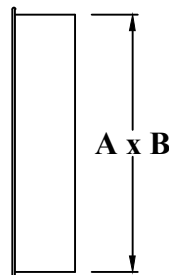
"A" = MAJOR AXIS DIMENSION.  
"B" = MINOR AXIS DIMENSION.



**No. FO6273**

**END CAP FOR PIPE**

"A" = MAJOR AXIS DIMENSION.  
"B" = MINOR AXIS DIMENSION.



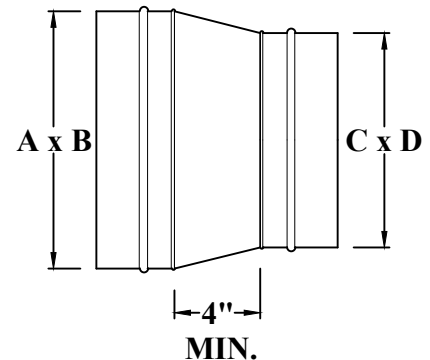
**No. FO6265**

**CONCENTRIC REDUCER**

"A" & "C" = MAJOR AXIS DIMENSION.  
"B" & "D" = MINOR AXIS DIMENSION.

**No. FO6265E**

**ECCENTRIC REDUCER**  
ONE SIDE STRAIGHT (NOT SHOWN)



MAJOR AXIS DUCT DIMENSION UP THRU 36" = 20 GAUGE  
MAJOR AXIS DUCT DIMENSION 37" THRU 65" = 18 GAUGE