



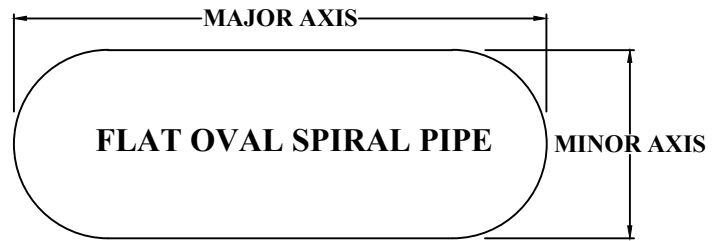
Commercial Duct Division
 3545 New Kings Road
 Jacksonville, FL 32209
 Phone 800-818-7144
 Fax 904-924-0841

SPECIFICATION DATA SHEET

FLAT OVAL SPIRAL DUCT

Spec Sheet 1 of 6

No. FO6101
FLAT OVAL SPIRAL PIPE



SIZE CHART

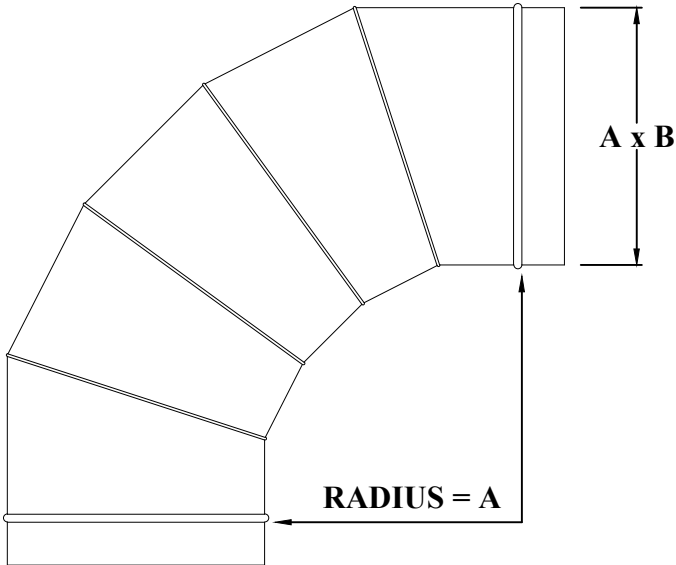
Spiral Size	Minor Axis									Duct Gauge	
	6"	8"	10"	12"	14"	16"	18"	20"	22"		
14	19"	17"								22 Gauge	
15	20"	19"	18"								
16	22"	21"	19"	18"							
17	23"	22"	21"	20"							
18	24"	24"	23"	21"	20"						
19	26"	25"	24"	23"	22"						
20	28"	27"	26"	25"	23"	22"					
22	31"	30"	29"	28"	27"	25"	24"				
24	34"	33"	32"	31"	30"	29"	27"	26"			
26	37"	36"	35"	34"	33"	32"	31"	29"	28"		
28	41"	39"	38"	37"	36"	35"	34"	33"	31"		
30	44"	43"	41"	40"	39"	38"	37"	36"	35"		
32	47"	46"	45"	43"	42"	41"	40"	39"	38"		
34	50"	49"	48"	47"	45"	44"	43"	42"	41"		
36	53"	52"	51"	50"	49"	47"	46"	45"	44"		
38	56"	55"	54"	53"	52"	51"	49"	48"	47"		
40	59"	58"	57"	56"	55"	54"	53"	51"	50"		20 Gauge
42	63"	61"	60"	59"	58"	57"	56"	55"	53"		
44		65"	63"	62"	61"	60"	59"	58"	57"		
46				65"	64"	63"	62"	61"	60"		
48							65"	64"	63"		

- 👑 MATERIAL:**
 - G-60 GALVANIZED STEEL PER ASTM A653, CS TYPE B.
 - G-90 GALVANIZED STEEL PER ASTM A653, CS TYPE B.
 - GALVANNEALED STEEL (PAINTABLE) PER ASTM A653. COATING DESIGNATION A40.
- 👑 PIPE CONSTRUCTION:**
 - SPIRAL LOCK SEAM SMACNA RL - 1.
 - 10 FT. JOINTS STANDARD.
 - CUT TO LENGTH JOINTS AVAILABLE UPON REQUEST.
- 👑 JOINT CONNECTIONS:**
 - PIPE-TO-PIPE CONNECTION MADE WITH A PIPE COUPLING.
 - FITTING-TO-PIPE CONNECTION MADE BY INSERTING FITTING INTO PIPE.
 - FLANGED CONNECTIONS AVAILABLE UPON REQUEST.
- 👑 FLAT OVAL DUCT IS FOR POSITIVE PRESSURE APPLICATIONS ONLY.**

No. FO6111

HARD BEND 90° ELBOW

"A" = MAJOR AXIS DIMENSION.
"B" = MINOR AXIS DIMENSION.

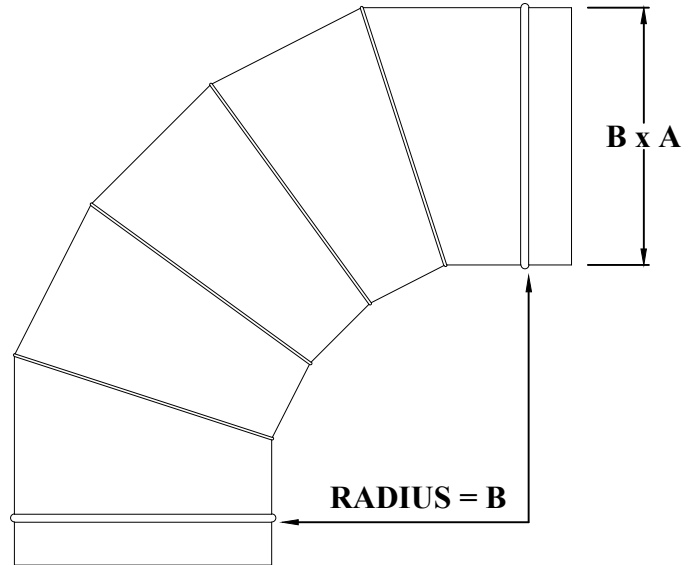


MAJOR AXIS DUCT DIMENSION UP THRU 36" = 20 GAUGE
MAJOR AXIS DUCT DIMENSION 37" THRU 65" = 18 GAUGE

No. FO6112

EASY BEND 90° ELBOW

"B" = MINOR AXIS DIMENSION.
"A" = MAJOR AXIS DIMENSION.

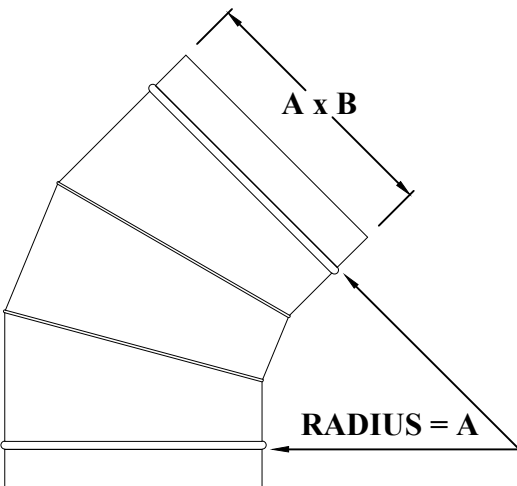


MAJOR AXIS DUCT DIMENSION UP THRU 36" = 20 GAUGE
MAJOR AXIS DUCT DIMENSION 37" THRU 65" = 18 GAUGE

No. FO6121

HARD BEND 45° ELBOW

"A" = MAJOR AXIS DIMENSION.
"B" = MINOR AXIS DIMENSION.

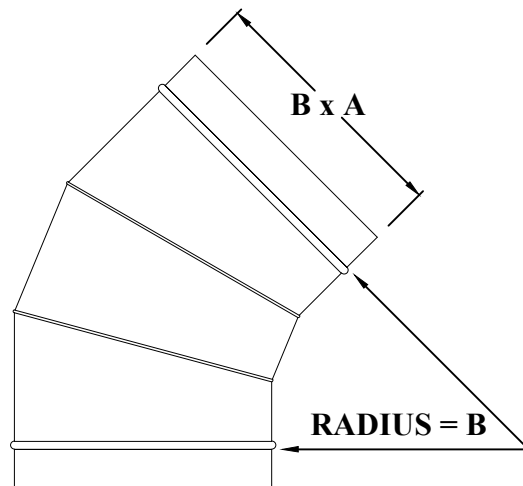


MAJOR AXIS DUCT DIMENSION UP THRU 36" = 20 GAUGE
MAJOR AXIS DUCT DIMENSION 37" THRU 65" = 18 GAUGE

No. FO6122

EASY BEND 45° ELBOW

"B" = MINOR AXIS DIMENSION.
"A" = MAJOR AXIS DIMENSION.



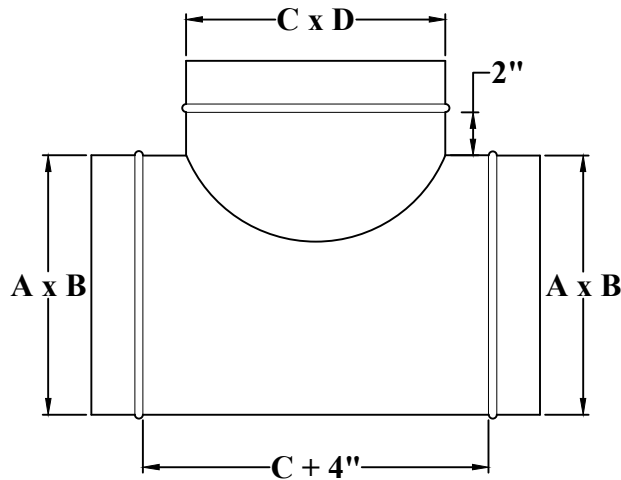
MAJOR AXIS DUCT DIMENSION UP THRU 36" = 20 GAUGE
MAJOR AXIS DUCT DIMENSION 37" THRU 65" = 18 GAUGE

No. FO6271

90° TEE

"A" & "C" = MAJOR AXIS DIMENSION.

"B" & "D" = MINOR AXIS DIMENSION.



MAJOR AXIS DUCT DIMENSION UP THRU 36" = 20 GAUGE
MAJOR AXIS DUCT DIMENSION 37" THRU 65" = 18 GAUGE

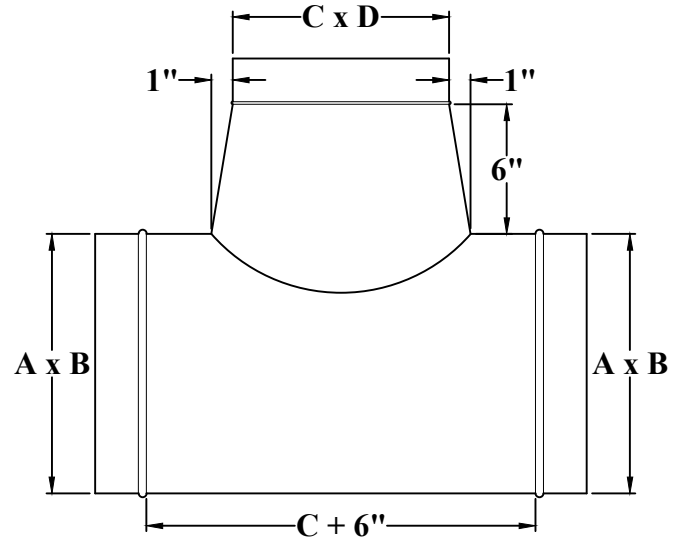
No. FO6271C

90° CONICAL TEE

"A" & "C" = MAJOR AXIS DIMENSION.

"B" & "D" = MINOR AXIS DIMENSION.

CONICAL TAPER ONLY ON MAJOR AXIS DIMENSION.



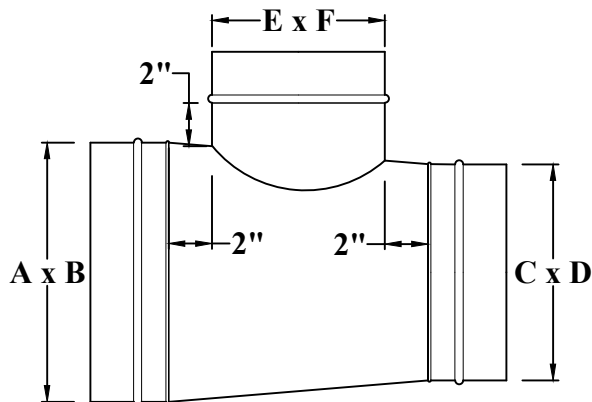
MAJOR AXIS DUCT DIMENSION UP THRU 36" = 20 GAUGE
MAJOR AXIS DUCT DIMENSION 37" THRU 65" = 18 GAUGE

No. FO6271R

REDUCING 90° TEE

"A", "C" & "E" = MAJOR AXIS DIMENSION.

"B", "D" & "F" = MINOR AXIS DIMENSION.



MAJOR AXIS DUCT DIMENSION UP THRU 36" = 20 GAUGE
MAJOR AXIS DUCT DIMENSION 37" THRU 65" = 18 GAUGE

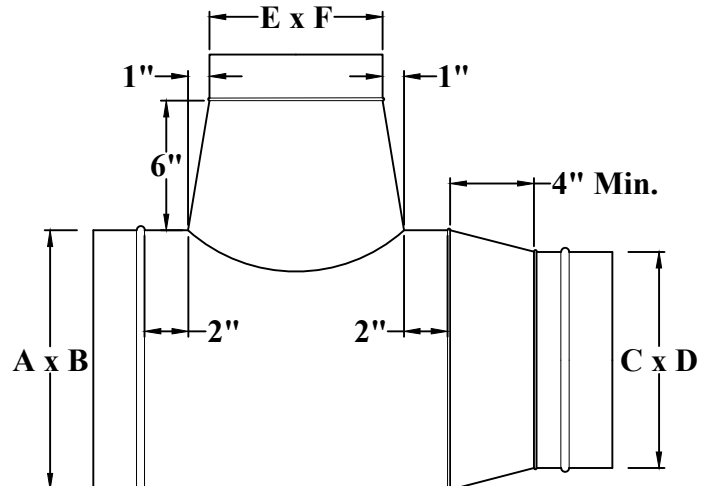
No. FO6271RC

REDUCING 90° CONICAL TEE

"A", "C" & "E" = MAJOR AXIS DIMENSION.

"B", "D" & "F" = MINOR AXIS DIMENSION.

CONICAL TAPER ONLY ON MAJOR AXIS DIMENSION.



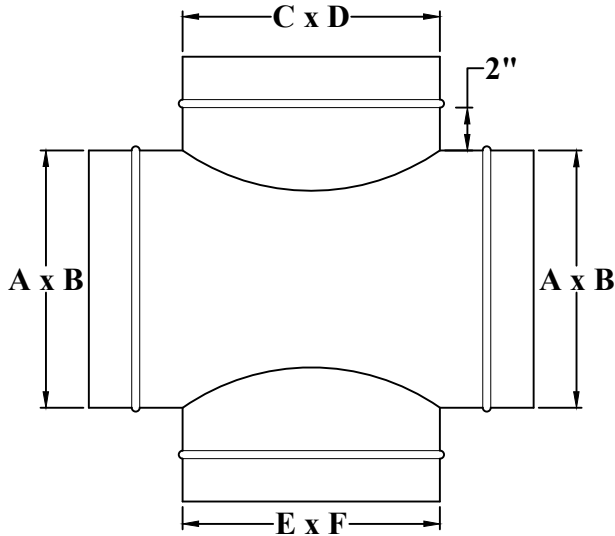
MAJOR AXIS DUCT DIMENSION UP THRU 36" = 20 GAUGE
MAJOR AXIS DUCT DIMENSION 37" THRU 65" = 18 GAUGE

No. FO6271X

90° TEE CROSS

"A", "C" & "E" = MAJOR AXIS DIMENSION.

"B", "D" & "F" = MINOR AXIS DIMENSION.



MAJOR AXIS DUCT DIMENSION UP THRU 36" = 20 GAUGE
MAJOR AXIS DUCT DIMENSION 37" THRU 65" = 18 GAUGE

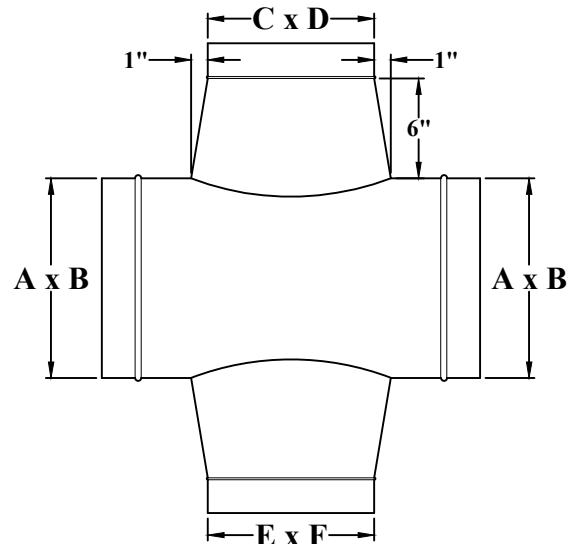
No. FO6271XC

90° CONICAL TEE CROSS

"A", "C" & "E" = MAJOR AXIS DIMENSION.

"B", "D" & "F" = MINOR AXIS DIMENSION.

CONICAL TAPER ONLY ON MAJOR AXIS DIMENSION.



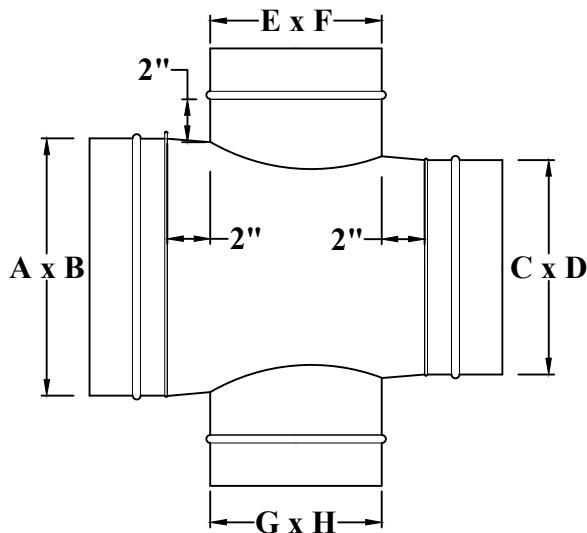
MAJOR AXIS DUCT DIMENSION UP THRU 36" = 20 GAUGE
MAJOR AXIS DUCT DIMENSION 37" THRU 65" = 18 GAUGE

No. FO6271XR

REDUCING 90° TEE CROSS

"A", "C", "E" & "G" = MAJOR AXIS DIMENSION.

"B", "D", "F" & "H" = MINOR AXIS DIMENSION.



MAJOR AXIS DUCT DIMENSION UP THRU 36" = 20 GAUGE
MAJOR AXIS DUCT DIMENSION 37" THRU 65" = 18 GAUGE

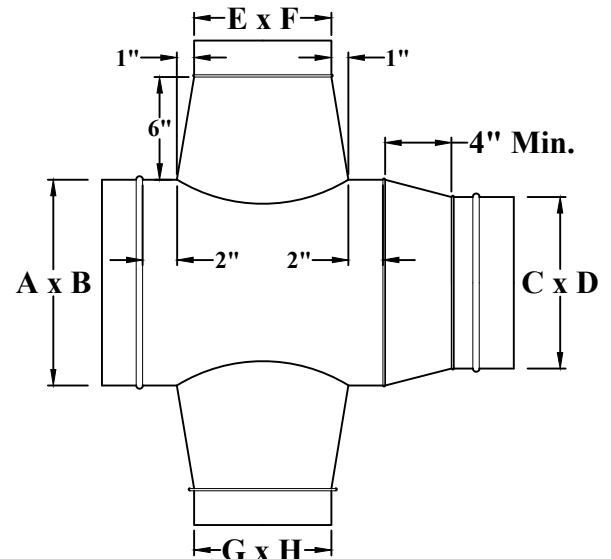
No. FO6271XRC

REDUCING 90° CONICAL TEE CROSS

"A", "C", "E" & "G" = MAJOR AXIS DIMENSION.

"B", "D", "F" & "H" = MINOR AXIS DIMENSION.

CONICAL TAPER ONLY ON MAJOR AXIS DIMENSION.

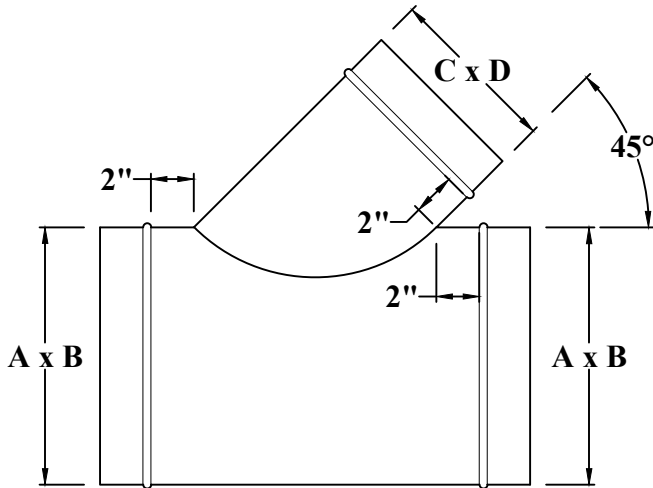


MAJOR AXIS DUCT DIMENSION UP THRU 36" = 20 GAUGE
MAJOR AXIS DUCT DIMENSION 37" THRU 65" = 18 GAUGE

No. FO6276

45° LATERAL

"A" & "C" = MAJOR AXIS DIMENSION.
"B" & "D" = MINOR AXIS DIMENSION.

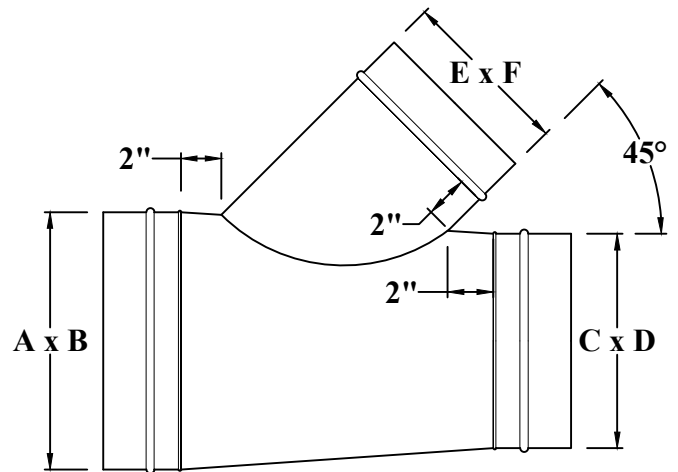


MAJOR AXIS DUCT DIMENSION UP THRU 36" = 20 GAUGE
MAJOR AXIS DUCT DIMENSION 37" THRU 65" = 18 GAUGE

No. FO6276R

45° REDUCING LATERAL

"A", "C" & "E" = MAJOR AXIS DIMENSION.
"B", "D" & "F" = MINOR AXIS DIMENSION.

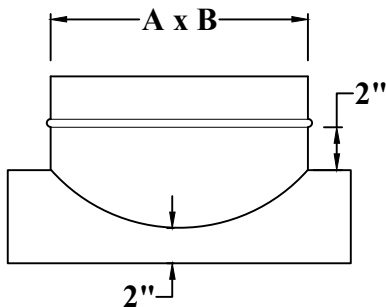


MAJOR AXIS DUCT DIMENSION UP THRU 36" = 20 GAUGE
MAJOR AXIS DUCT DIMENSION 37" THRU 65" = 18 GAUGE

No. FO6307

90° SADDLE TAP

"A" = MAJOR AXIS DIMENSION.
"B" = MINOR AXIS DIMENSION.



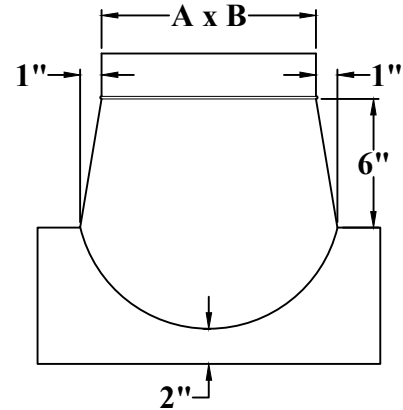
NOTE MINOR AXIS DIMENSION SADDLE TAP IS TO FIT.

MAJOR AXIS DUCT DIMENSION UP THRU 36" = 20 GAUGE
MAJOR AXIS DUCT DIMENSION 37" THRU 65" = 18 GAUGE

No. FO6307C

90° CONICAL SADDLE TAP

"A" = MAJOR AXIS DIMENSION.
"B" = MINOR AXIS DIMENSION.
CONICAL TAPER ONLY ON MAJOR AXIS DIMENSION.



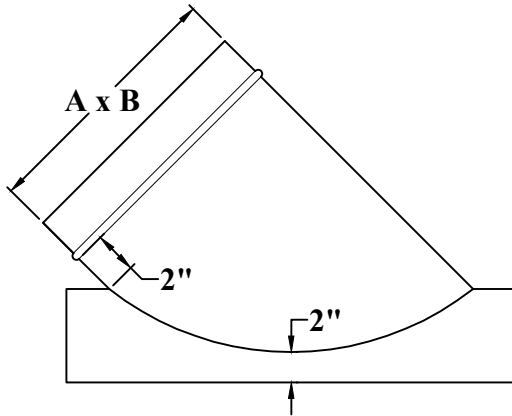
NOTE MINOR AXIS DIMENSION SADDLE TAP IS TO FIT.

MAJOR AXIS DUCT DIMENSION UP THRU 36" = 20 GAUGE
MAJOR AXIS DUCT DIMENSION 37" THRU 65" = 18 GAUGE

No. FO6307L

45° SADDLE TAP

"A" = MAJOR AXIS DIMENSION
"B" = MINOR AXIS DIMENSION.

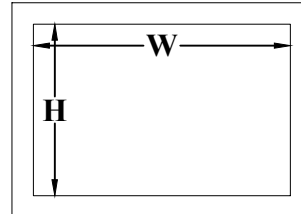


NOTE MINOR AXIS DIMENSION SADDLE TAP IS TO FIT.

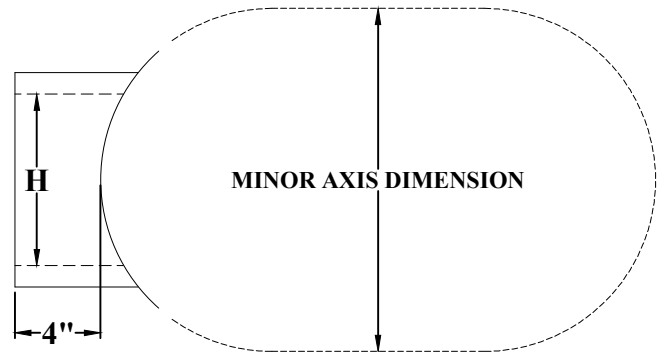
MAJOR AXIS DUCT DIMENSION UP THRU 36" = 20 GAUGE
MAJOR AXIS DUCT DIMENSION 37" THRU 65" = 18 GAUGE

No. FO6406

GRILLE TAP



W x H = GRILLE DIMENSIONS
NOTE MINOR AXIS DIMENSION
GRILLE TAP IS TO FIT.

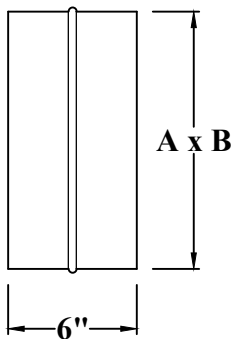


24 GAUGE

No. FO6680

COUPLING FOR PIPE

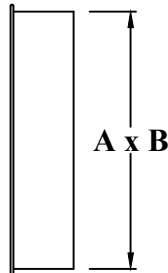
"A" = MAJOR AXIS DIMENSION.
"B" = MINOR AXIS DIMENSION.



No. FO6273

END CAP FOR PIPE

"A" = MAJOR AXIS DIMENSION.
"B" = MINOR AXIS DIMENSION.



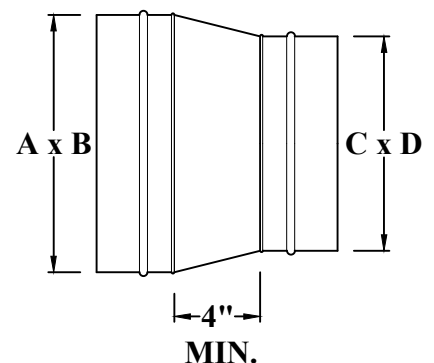
No. FO6265

CONCENTRIC REDUCER

"A" & "C" = MAJOR AXIS DIMENSION.
"B" & "D" = MINOR AXIS DIMENSION.

No. FO6265E

ECCENTRIC REDUCER
ONE SIDE STRAIGHT (NOT SHOWN)



MAJOR AXIS DUCT DIMENSION UP THRU 36" = 20 GAUGE
MAJOR AXIS DUCT DIMENSION 37" THRU 65" = 18 GAUGE