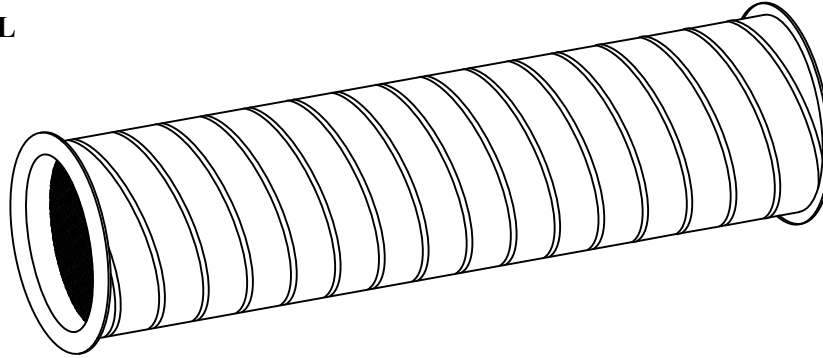


No. DW6101
DOUBLE WALL
SPIRAL PIPE



- ❖ **INNER WALL: PIPE DIAMETER, 6" THRU 52" DIAMETERS AVAILABLE**
 - MATERIAL: PERFORATED GALVANIZED STEEL, $\frac{3}{32}$ " DIAMETER HOLE, $\frac{3}{16}$ " CENTER STAGGER**
 - OPTIONAL MATERIAL: GALVANIZED STEEL (NON PERFORATED)**
 - OPTIONAL MYLAR WRAP - INNER CORE**

- ❖ **OUTER WALL: PIPE DIAMETER + 2" MATERIAL AVAILABLE:**
 - GALVANIZED STEEL PER ASTM A653, CS TYPE B.**
 - STAINLESS STEEL TYPE 304 2B (.024" THICK)**

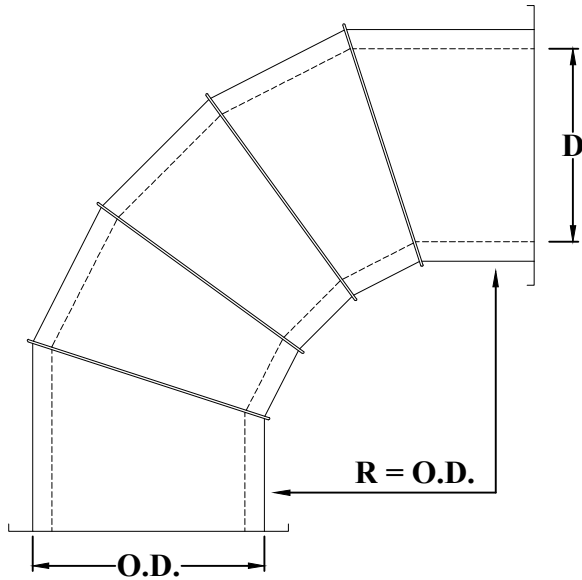
- ❖ **INTERNAL INSULATION:**
 - 1" THICK FIBERGLASS**
 - 2" THICK FIBERGLASS**
 - 1" THICK ELASTOMERIC**
 - 2" THICK ELASTOMERIC**

- ❖ **PIPE CONSTRUCTION:**
 - SPIRAL LOCK SEAM SMACNA RL - 1.**
 - 8 FT. JOINTS STANDARD.**
 - ALL DUCT AND FITTINGS ARE MADE PER SMACNA DUCT CONSTRUCTION STANDARDS (+10" w.g.)**

- ❖ **FITTING CONSTRUCTION:**
 - SOLID (NON-PERFORATED) INNER CORE AND OUTER SHELL**

- ❖ **TRANSVERSE CONNECTIONS:**
 - FACTORY INSTALLED 18 GAUGE OUTBOARD FLANGE WITH FIELD INSTALLED BUTYL GASKET (SUPPLIED). SCREWED TOGETHER WITH #10 TEK SCREWS**

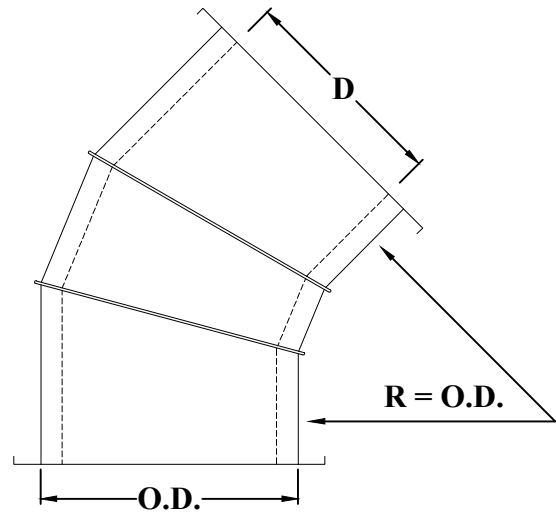
No. DW6111



90° 5-PIECE GORELOCK ELBOW

6" THRU 14" DIAMETER = 24 GAUGE GALVANIZED STEEL
16" THRU 26" DIAMETER = 22 GAUGE GALVANIZED STEEL
28" THRU 52" DIAMETER = 20 GAUGE GALVANIZED STEEL

No. DW6121

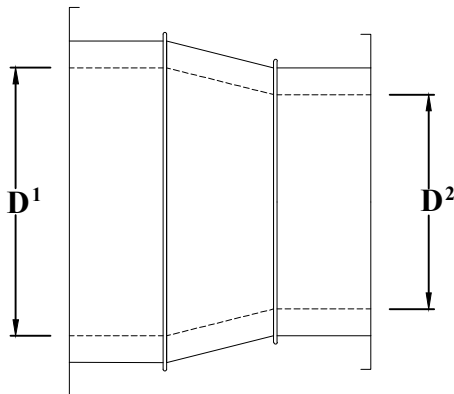


45° 3-PIECE GORELOCK ELBOW

CUSTOM ANGLES AVAILABLE: FOR EXAMPLE 30°, 60°, 75°

6" THRU 14" DIAMETER = 24 GAUGE GALVANIZED STEEL
16" THRU 26" DIAMETER = 22 GAUGE GALVANIZED STEEL
28" THRU 52" DIAMETER = 20 GAUGE GALVANIZED STEEL

No. DW6265

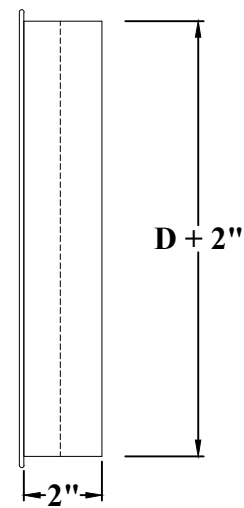


CONCENTRIC REDUCER

$D^1 \text{ MINUS } D^2 + 6" = \text{TOTAL LENGTH}$

6" THRU 14" DIAMETER = 24 GAUGE GALVANIZED STEEL
16" THRU 26" DIAMETER = 22 GAUGE GALVANIZED STEEL
28" THRU 52" DIAMETER = 20 GAUGE GALVANIZED STEEL

No. DW6273

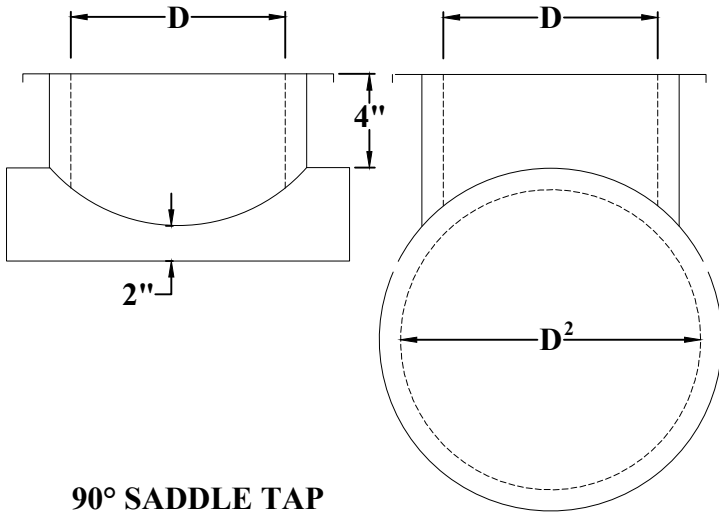


END CAP

END CAP SLIPS INSIDE OUTER PIPE SHELL AFTER FLANGE REMOVAL

6" THRU 14" DIAMETER = 24 GAUGE GALVANIZED STEEL
16" THRU 26" DIAMETER = 22 GAUGE GALVANIZED STEEL
28" THRU 52" DIAMETER = 20 GAUGE GALVANIZED STEEL

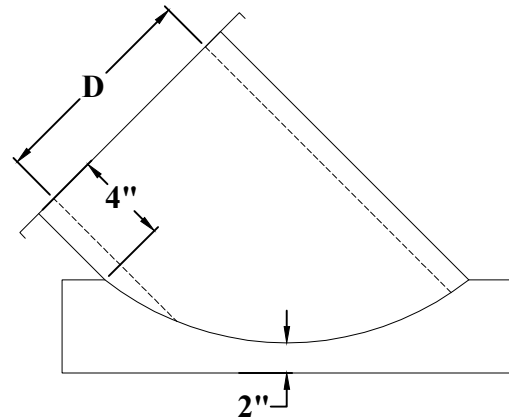
No. DW6307



90° SADDLE TAP

6" THRU 14" DIAMETER = 24 GAUGE GALVANIZED STEEL
16" THRU 26" DIAMETER = 22 GAUGE GALVANIZED STEEL
28" THRU 52" DIAMETER = 20 GAUGE GALVANIZED STEEL

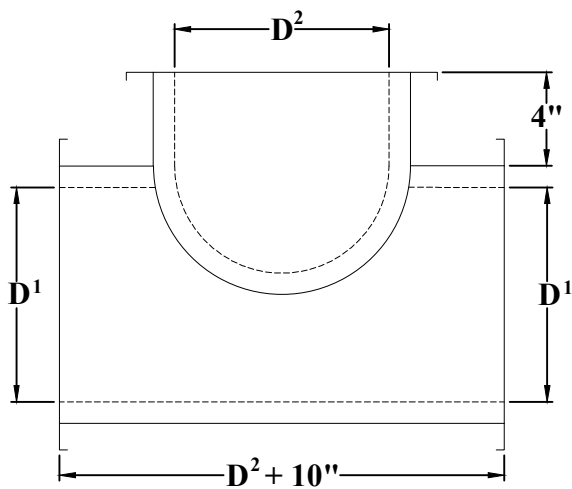
No. DW6307L



45° LATERAL SADDLE TAP

6" THRU 14" DIAMETER = 24 GAUGE GALVANIZED STEEL
16" THRU 26" DIAMETER = 22 GAUGE GALVANIZED STEEL
28" THRU 52" DIAMETER = 20 GAUGE GALVANIZED STEEL

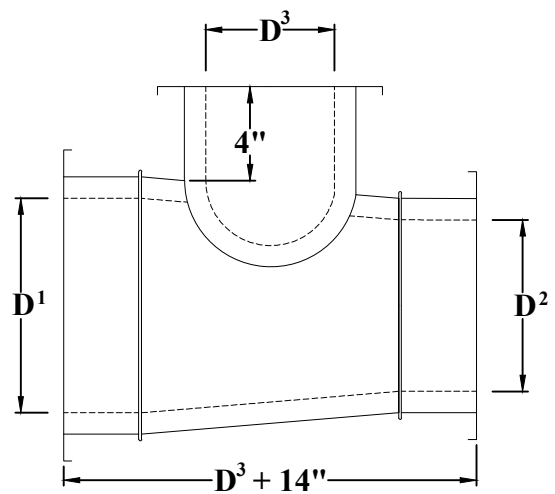
No. DW6271



90° TEE

6" THRU 14" DIAMETER = 24 GAUGE GALVANIZED STEEL
16" THRU 26" DIAMETER = 22 GAUGE GALVANIZED STEEL
28" THRU 52" DIAMETER = 20 GAUGE GALVANIZED STEEL

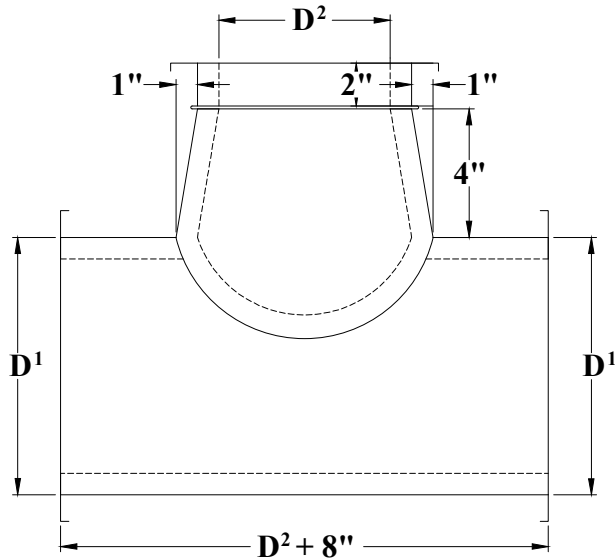
No. DW6271R



REDUCING 90° TEE

8" THRU 14" DIAMETER = 24 GAUGE GALVANIZED STEEL
16" THRU 26" DIAMETER = 22 GAUGE GALVANIZED STEEL
28" THRU 52" DIAMETER = 20 GAUGE GALVANIZED STEEL

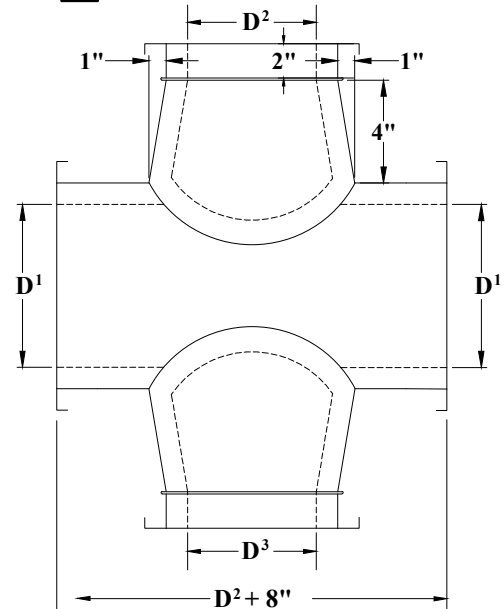
No. DW6271C



90° CONICAL TEE

6" THRU 14" DIAMETER = 24 GAUGE GALVANIZED STEEL
16" THRU 26" DIAMETER = 22 GAUGE GALVANIZED STEEL
28" THRU 52" DIAMETER = 20 GAUGE GALVANIZED STEEL

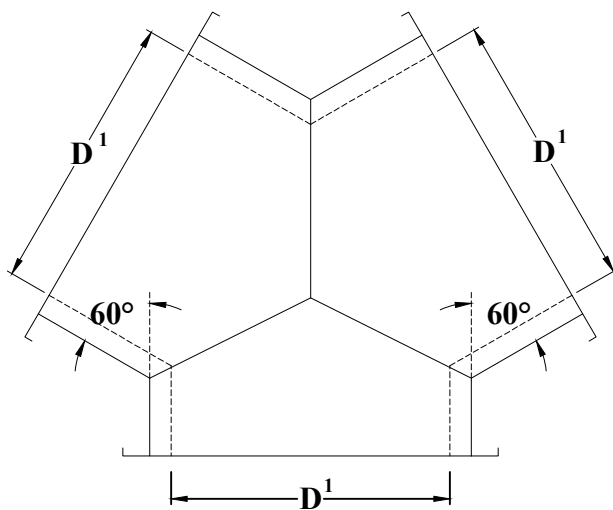
No. DW6271XC



90° CONICAL TEE CROSS

6" THRU 14" DIAMETER = 24 GAUGE GALVANIZED STEEL
16" THRU 26" DIAMETER = 22 GAUGE GALVANIZED STEEL
28" THRU 52" DIAMETER = 20 GAUGE GALVANIZED STEEL

No. DW6277

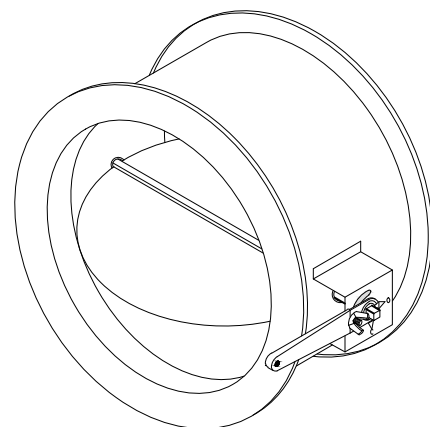


BULL NOSE WYE

FOR REDUCING BULL NOSE WYE: REDUCERS SOLD AND SHIPPED SEPARATELY.

6" THRU 14" DIAMETER = 24 GAUGE GALVANIZED STEEL
16" THRU 26" DIAMETER = 22 GAUGE GALVANIZED STEEL
28" THRU 52" DIAMETER = 20 GAUGE GALVANIZED STEEL

No. DW6175



**DOUBLE WALL SLEEVE WITH
MANUAL VOLUME DAMPER**

6" THRU 14" DIAMETER = 24 GAUGE GALVANIZED STEEL
16" THRU 24" DIAMETER = 22 GAUGE GALVANIZED STEEL



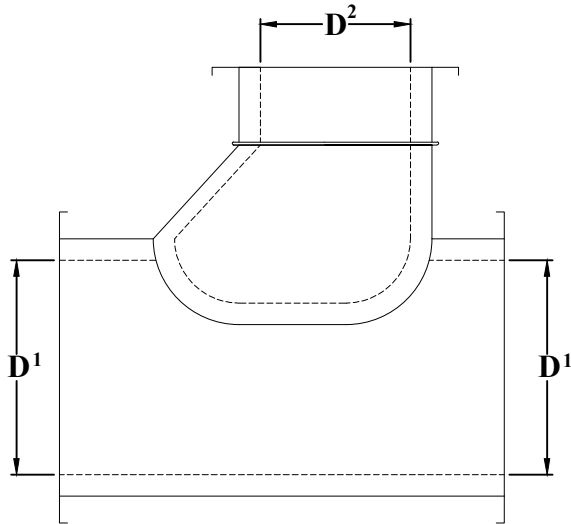
CROWN
PRODUCTS COMPANY, INC.

Commercial Duct Division
3545 New Kings Road
Jacksonville, FL 32209
Phone 800-818-7144
Fax 904-924-0841

SPECIFICATION DATA SHEET
DOUBLE WALL FITTINGS

Spec Sheet 5 of 7

No. DW6271B

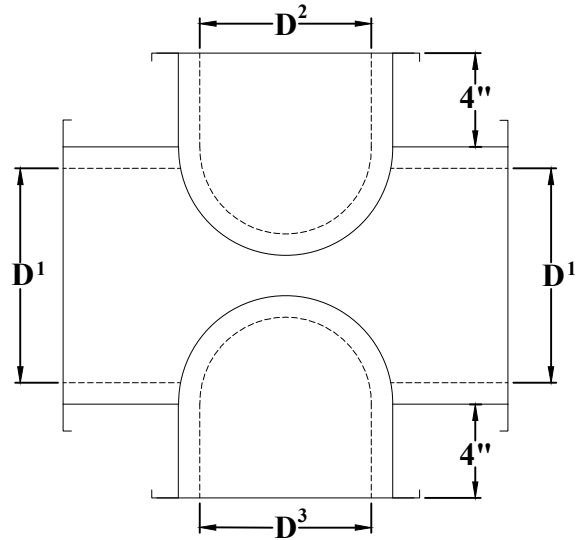


90° BOOT TEE

FOR REDUCING 90° BOOT TEE: REDUCER SOLD AND SHIPPED SEPARATELY.

6" THRU 14" DIAMETER = 24 GAUGE GALVANIZED STEEL
16" THRU 26" DIAMETER = 22 GAUGE GALVANIZED STEEL
28" THRU 52" DIAMETER = 20 GAUGE GALVANIZED STEEL

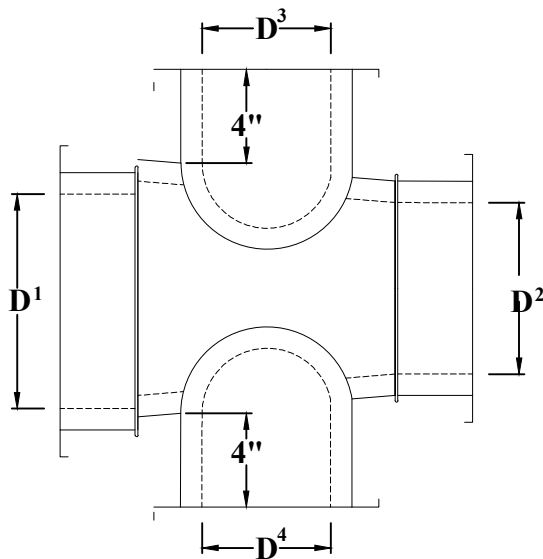
No. DW6271X



90° TEE CROSS

6" THRU 14" DIAMETER = 24 GAUGE GALVANIZED STEEL
16" THRU 26" DIAMETER = 22 GAUGE GALVANIZED STEEL
28" THRU 52" DIAMETER = 20 GAUGE GALVANIZED STEEL

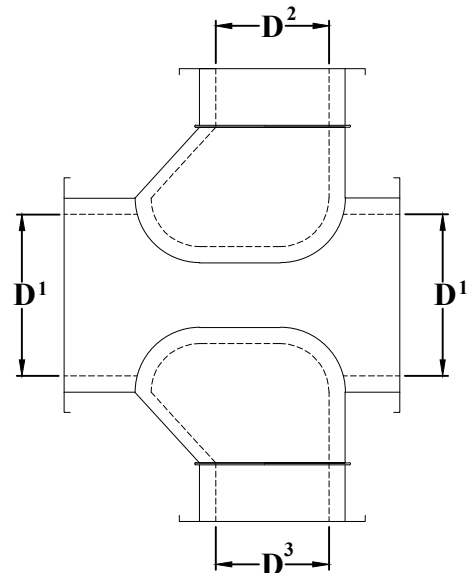
No. DW6271XR



REDUCING 90° TEE CROSS

8" THRU 14" DIAMETER = 24 GAUGE GALVANIZED STEEL
16" THRU 26" DIAMETER = 22 GAUGE GALVANIZED STEEL
28" THRU 52" DIAMETER = 20 GAUGE GALVANIZED STEEL

No. DW6271XB

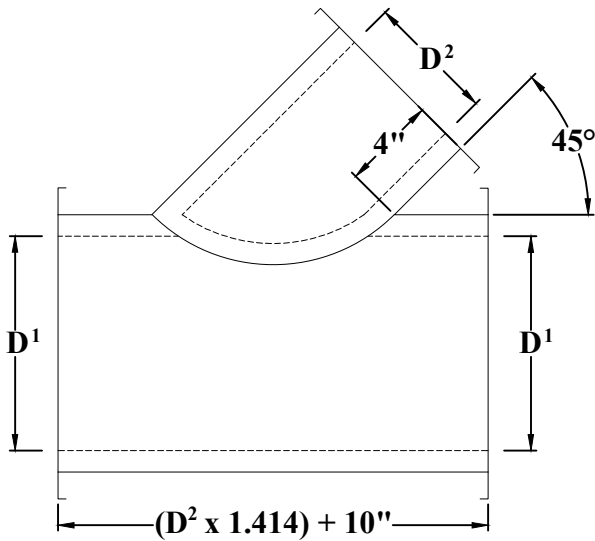


90° BOOT TEE CROSS

FOR REDUCING 90° BOOT TEE CROSS: REDUCER SOLD AND SHIPPED SEPARATELY.

6" THRU 14" DIAMETER = 24 GAUGE GALVANIZED STEEL
16" THRU 26" DIAMETER = 22 GAUGE GALVANIZED STEEL
28" THRU 52" DIAMETER = 20 GAUGE GALVANIZED STEEL

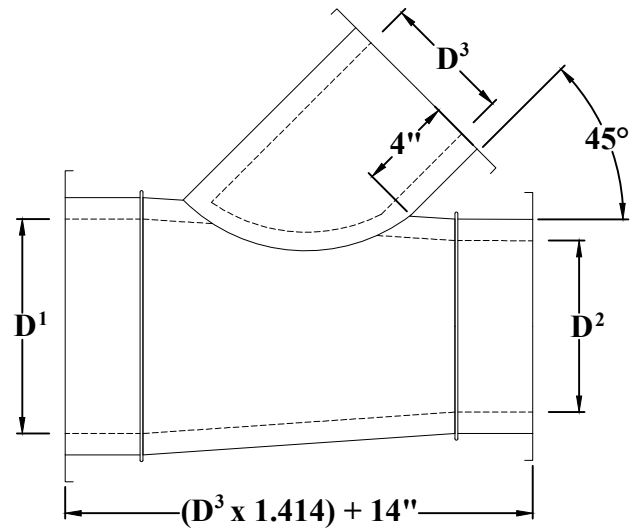
No. DW6276



45° LATERAL

6" THRU 14" DIAMETER = 24 GAUGE GALVANIZED STEEL
16" THRU 26" DIAMETER = 22 GAUGE GALVANIZED STEEL
28" THRU 52" DIAMETER = 20 GAUGE GALVANIZED STEEL

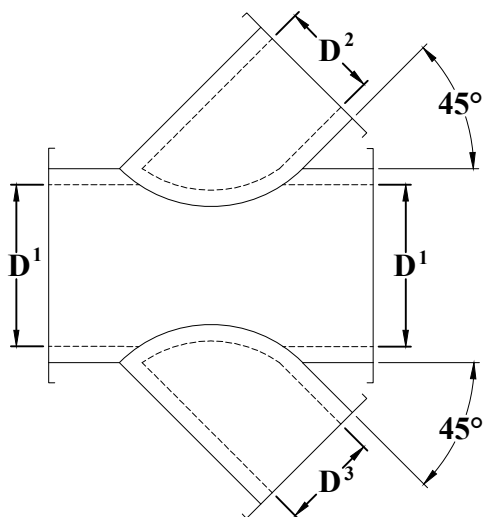
No. DW6276R



REDUCING 45° LATERAL

8" THRU 14" DIAMETER = 24 GAUGE GALVANIZED STEEL
16" THRU 26" DIAMETER = 22 GAUGE GALVANIZED STEEL
28" THRU 52" DIAMETER = 20 GAUGE GALVANIZED STEEL

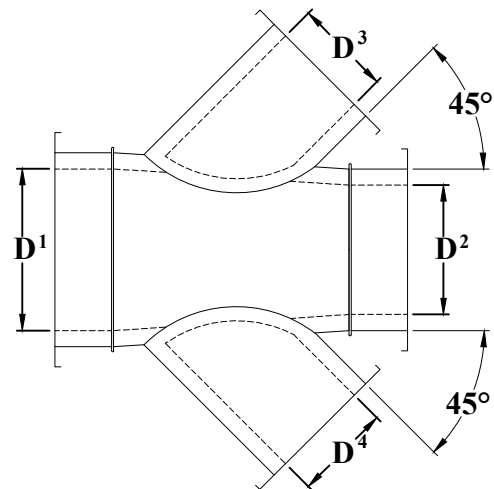
No. DW6276X



45° LATERAL CROSS

6" THRU 14" DIAMETER = 24 GAUGE GALVANIZED STEEL
16" THRU 26" DIAMETER = 22 GAUGE GALVANIZED STEEL
28" THRU 52" DIAMETER = 20 GAUGE GALVANIZED STEEL

No. DW6276XR



REDUCING 45° LATERAL CROSS

8" THRU 14" DIAMETER = 24 GAUGE GALVANIZED STEEL
16" THRU 26" DIAMETER = 22 GAUGE GALVANIZED STEEL
28" THRU 52" DIAMETER = 20 GAUGE GALVANIZED STEEL



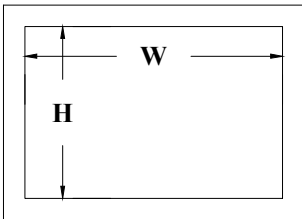
Commercial Duct Division
3545 New Kings Road
Jacksonville, FL 32209
Phone 800-818-7144
Fax 904-924-0841

SPECIFICATION DATA SHEET

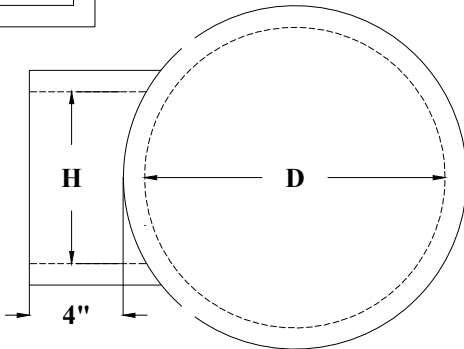
DOUBLE WALL FITTINGS

Spec Sheet 7 of 7

No. DW6406



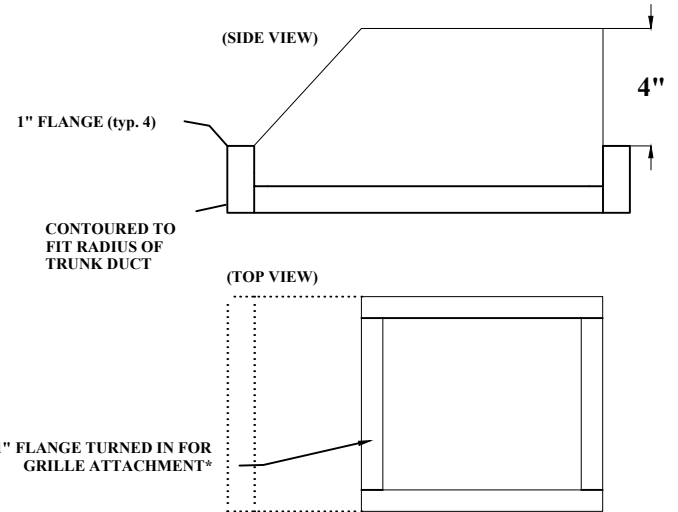
W x H = GRILLE
DIMENSIONS



GRILLE TAP

24 GAUGE GALVANIZED STEEL
1" INTERNAL LINER

No. DW6408



BOOT STYLE GRILLE TAP

24 GAUGE GALVANIZED STEEL
1" INTERNAL LINER