



Commercial Duct Division
 3545 New Kings Road
 Jacksonville, FL 32209
 Phone 800-818-7144
 Fax 904-924-0841

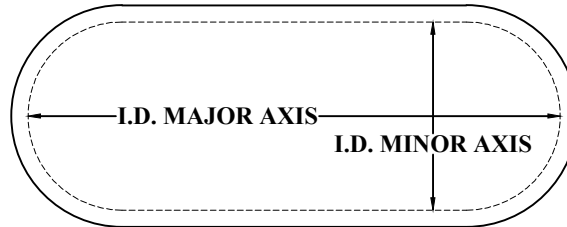
SPECIFICATION DATA SHEET

DOUBLE WALL FLAT OVAL SPIRAL DUCT

Spec Sheet 1 of 5

No. DWFO6101

DOUBLE WALL FLAT OVAL
 SPIRAL PIPE



SIZE CHART

Spiral Size	Minor Axis								Duct Gauge
	6"	8"	10"	12"	14"	16"	18"	20"	
14	19"	17"	16"						22 Gauge
15	20"	19"	18"						
16	22"	21"	19"	18"					
17	23"	22"	21"	20"					
18		24"	23"	21"	20"				
20	28"	27"	26"	25"	23"	22"			
22	31"	30"	29"	28"	27"	25"	24"		
24	34"	33"	32"	31"	30"	29"	27"	26"	
26	37"	36"	35"	34"	33"	32"	31"	29"	
28	41"	39"	38"	37"	36"	35"	34"	33"	
30	44"	43"	41"	40"	39"	38"	37"	36"	
32	47"	46"	45"	43"	42"	41"	40"	39"	
34	50"	49"	48"	47"	45"	44"	43"	42"	
36	53"	52"	51"	50"	49"	47"	46"	45"	
38	56"	55"	54"	53"	52"	51"	49"	48"	
40	59"	58"	57"	56"	55"	54"	53"	51"	
42	63"	61"	60"	59"	58"	57"	56"	55"	
44			63"	62"	61"	60"	59"	58"	20 Gauge
46						63"	62"	61"	

- PIPE OUTER WALL MATERIAL:**
 - G-60 GALVANIZED STEEL PER ASTM A653, CS TYPE B.
 - G-90 GALVANIZED STEEL PER ASTM A653, CS TYPE B.
 - GALVANNEALED STEEL (PAINTABLE) PER ASTM A653. COATING DESIGNATION A40.
- PIPE INNER WALL MATERIAL:**

PERFORATED STEEL $\frac{3}{32}$ " DIAMETER HOLE, $\frac{3}{16}$ " CENTER STAGGER.
- INTERNAL INSULATION:**

1" THICK FIBERGLASS.
- PIPE CONSTRUCTION:**

SPIRAL LOCK SEAM SMACNA RL - 1.
 8 FT. JOINTS STANDARD.
 CUT TO LENGTH JOINTS AVAILABLE UPON REQUEST.
- TRANSVERSE CONNECTIONS:**

FACTORY INSTALLED 18 GA. OUTBOARD FLANGE WITH FIELD INSTALLED BUTYL GASKET (SUPPLIED). SCREWED TOGETHER WITH #10 TEK SCREWS.
- FLAT OVAL DUCT IS FOR POSITIVE PRESSURE APPLICATIONS ONLY.**



Commercial Duct Division
 3545 New Kings Road
 Jacksonville, FL 32209
 Phone 800-818-7144
 Fax 904-924-0841

SPECIFICATION DATA SHEET

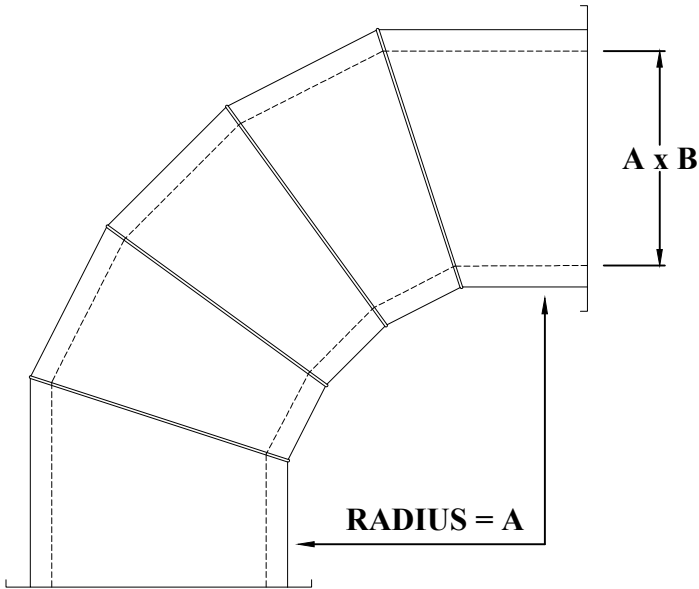
**DOUBLE WALL FLAT OVAL
 SPIRAL FITTINGS**

Spec Sheet 2 of 5

No. DWFO6111

HARD BEND 90° ELBOW

"A" = I.D. MAJOR AXIS DIMENSION.
 "B" = I.D. MINOR AXIS DIMENSION.

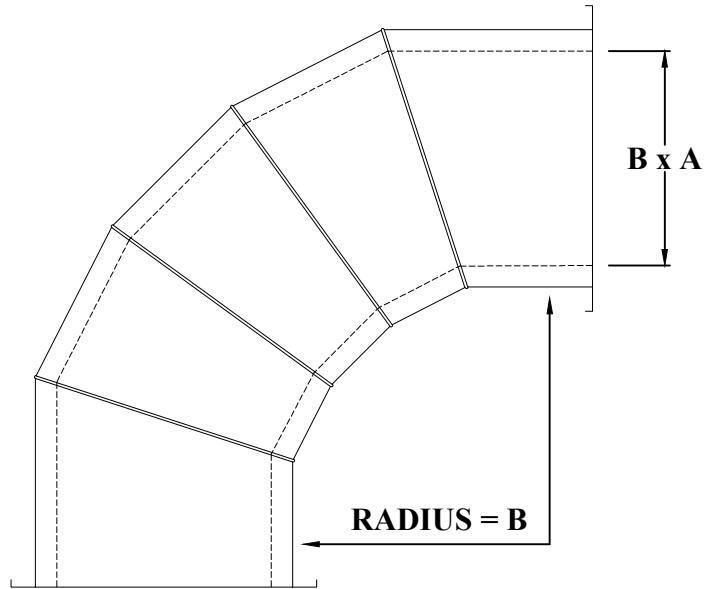


MAJOR AXIS DUCT DIMENSION UP THRU 36" = 20 GAUGE
 MAJOR AXIS DUCT DIMENSION 37" THRU 63" = 18 GAUGE

No. DWFO6112

EASY BEND 90° ELBOW

"B" = I.D. MINOR AXIS DIMENSION.
 "A" = I.D. MAJOR AXIS DIMENSION.

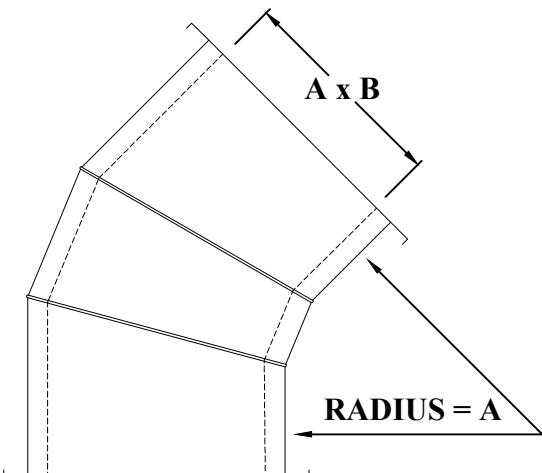


MAJOR AXIS DUCT DIMENSION UP THRU 36" = 20 GAUGE
 MAJOR AXIS DUCT DIMENSION 37" THRU 63" = 18 GAUGE

No. DWFO6121

HARD BEND 45° ELBOW

"A" = I.D. MAJOR AXIS DIMENSION.
 "B" = I.D. MINOR AXIS DIMENSION.

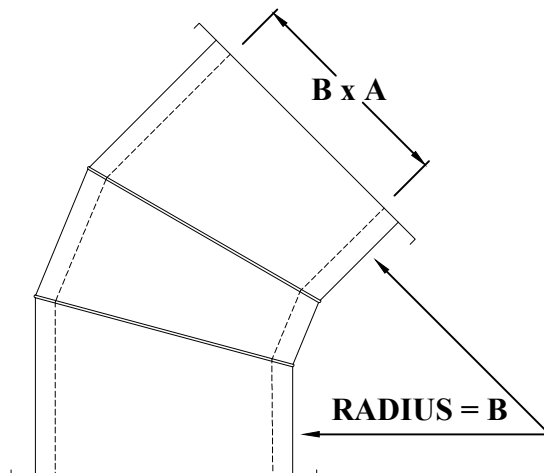


MAJOR AXIS DUCT DIMENSION UP THRU 36" = 20 GAUGE
 MAJOR AXIS DUCT DIMENSION 37" THRU 63" = 18 GAUGE

No. DWFO6122

EASY BEND 45° ELBOW

"B" = I.D. MINOR AXIS DIMENSION.
 "A" = I.D. MAJOR AXIS DIMENSION.



MAJOR AXIS DUCT DIMENSION UP THRU 36" = 20 GAUGE
 MAJOR AXIS DUCT DIMENSION 37" THRU 63" = 18 GAUGE



CROWN
PRODUCTS COMPANY, INC.

Commercial Duct Division
3545 New Kings Road
Jacksonville, FL 32209
Phone 800-818-7144
Fax 904-924-0841

SPECIFICATION DATA SHEET

**DOUBLE WALL FLAT OVAL
SPIRAL FITTINGS**

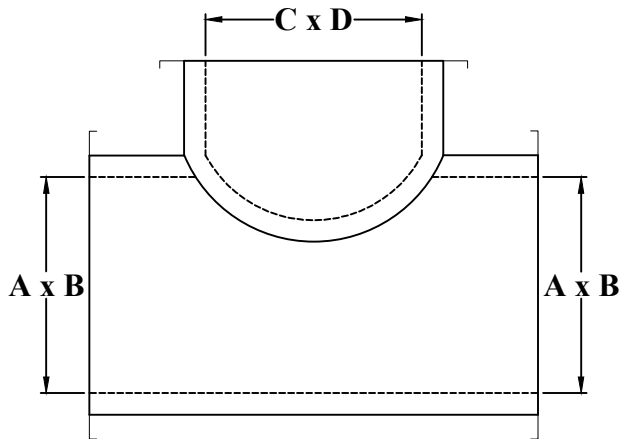
Spec Sheet 3 of 5

No. DWFO6271

90° TEE

"A" & "C" = I.D. MAJOR AXIS DIMENSION.

"B" & "D" = I.D. MINOR AXIS DIMENSION.



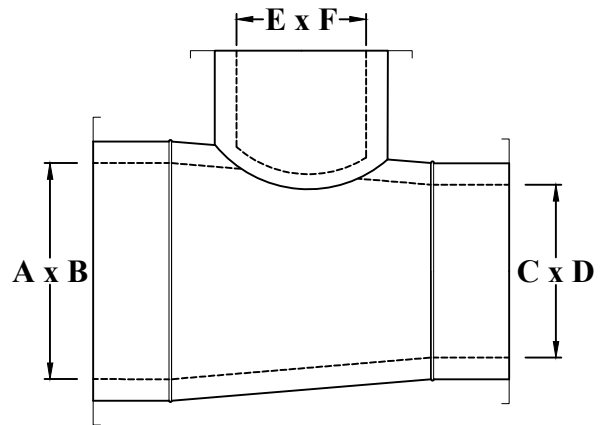
MAJOR AXIS DUCT DIMENSION UP THRU 36" = 20 GAUGE
MAJOR AXIS DUCT DIMENSION 37" THRU 63" = 18 GAUGE

No. DWFO6271R

REDUCING 90° TEE

"A", "C" & "E" = I.D. MAJOR AXIS DIMENSION.

"B", "D" & "F" = I.D. MINOR AXIS DIMENSION.



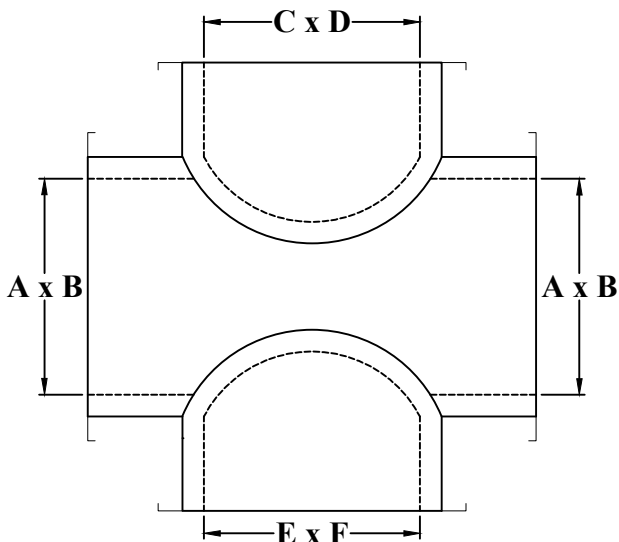
MAJOR AXIS DUCT DIMENSION UP THRU 36" = 20 GAUGE
MAJOR AXIS DUCT DIMENSION 37" THRU 63" = 18 GAUGE

No. DWFO6271X

90° TEE CROSS

"A", "C" & "E" = I.D. MAJOR AXIS DIMENSION.

"B", "D" & "F" = I.D. MINOR AXIS DIMENSION.



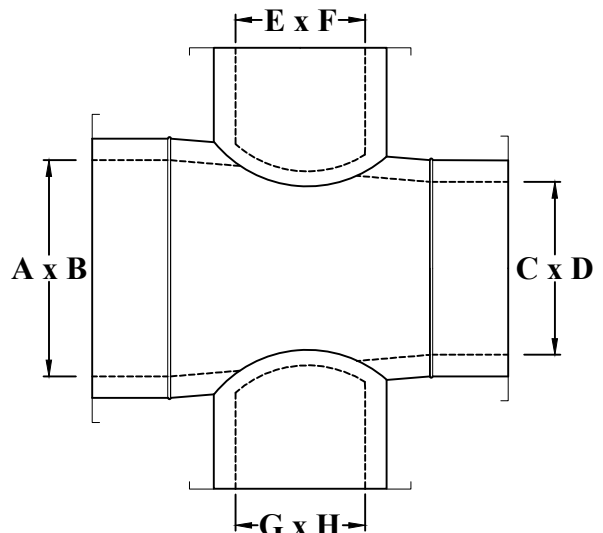
MAJOR AXIS DUCT DIMENSION UP THRU 36" = 20 GAUGE
MAJOR AXIS DUCT DIMENSION 37" THRU 63" = 18 GAUGE

No. DWFO6271XR

REDUCING 90° TEE CROSS

"A", "C", "E" & "G" = I.D. MAJOR AXIS DIMENSION.

"B", "D", "F" & "H" = I.D. MINOR AXIS DIMENSION.

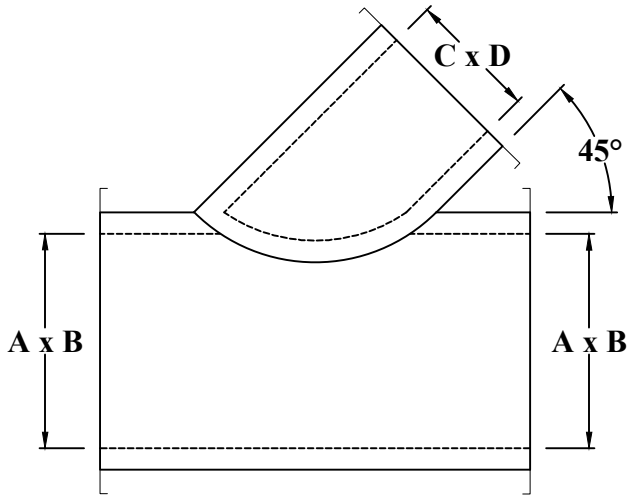


MAJOR AXIS DUCT DIMENSION UP THRU 36" = 20 GAUGE
MAJOR AXIS DUCT DIMENSION 37" THRU 63" = 18 GAUGE

No. DWFO6276

45° LATERAL

"A" & "C" = I.D. MAJOR AXIS DIMENSION.
"B" & "D" = I.D. MINOR AXIS DIMENSION.

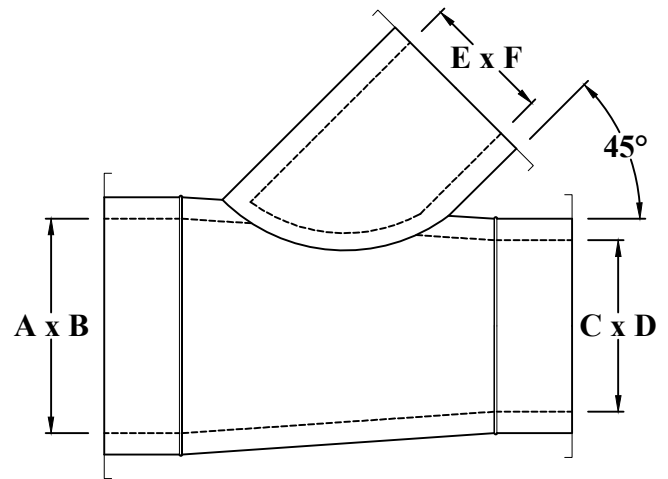


MAJOR AXIS DUCT DIMENSION UP THRU 36" = 20 GAUGE
MAJOR AXIS DUCT DIMENSION 37" THRU 63" = 18 GAUGE

No. DWFO6276R

45° REDUCING LATERAL

"A", "C" & "E" = I.D. MAJOR AXIS DIMENSION.
"B", "D" & "F" = I.D. MINOR AXIS DIMENSION.

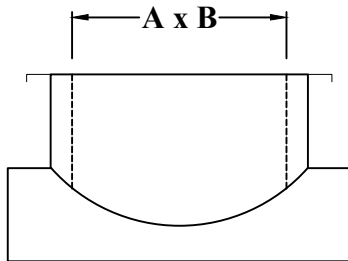


MAJOR AXIS DUCT DIMENSION UP THRU 36" = 20 GAUGE
MAJOR AXIS DUCT DIMENSION 37" THRU 63" = 18 GAUGE

No. DWFO6307

90° SADDLE TAP

"A" = I.D. MAJOR AXIS DIMENSION.
"B" = I.D. MINOR AXIS DIMENSION.



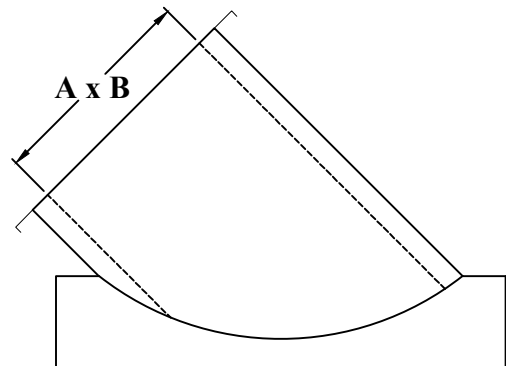
NOTE I.D. MINOR AXIS DIMENSION SADDLE TAP TO FIT.

MAJOR AXIS DUCT DIMENSION UP THRU 36" = 20 GAUGE
MAJOR AXIS DUCT DIMENSION 37" THRU 63" = 18 GAUGE

No. DWFO6307L

45° SADDLE TAP

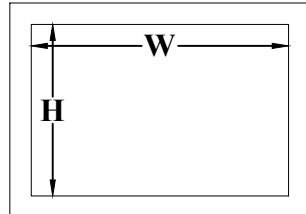
"A" = I.D. MAJOR AXIS DIMENSION
"B" = I.D. MINOR AXIS DIMENSION.



NOTE I.D. MINOR AXIS DIMENSION SADDLE TAP TO FIT.

MAJOR AXIS DUCT DIMENSION UP THRU 36" = 20 GAUGE
MAJOR AXIS DUCT DIMENSION 37" THRU 63" = 18 GAUGE

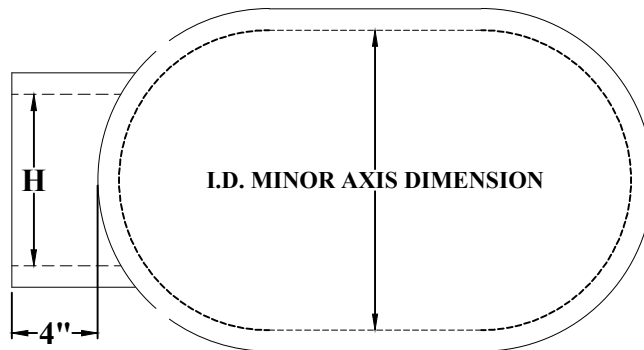
No. DWFO6406
GRILLE TAP



W x H = GRILLE DIMENSIONS

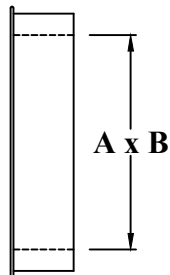
NOTE I.D. MINOR AXIS DIMENSION
GRILLE TAP TO FIT.

24 GAUGE



No. DWFO6273
END CAP FOR PIPE

"A" = I.D. MAJOR AXIS DIMENSION.
"B" = I.D. MINOR AXIS DIMENSION.



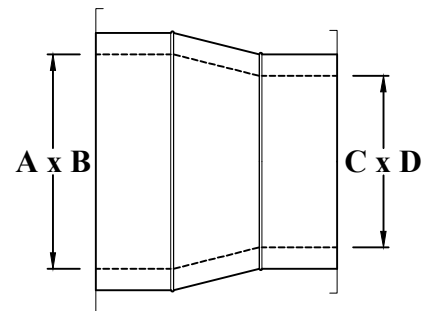
MAJOR AXIS DUCT DIMENSION UP THRU 36" = 20 GAUGE
MAJOR AXIS DUCT DIMENSION 37" THRU 63" = 18 GAUGE

No. DWFO6265
CONCENTRIC REDUCER

"A" & "C" = I.D. MAJOR AXIS DIMENSION.
"B" & "D" = I.D. MINOR AXIS DIMENSION.

No. DWFO6265E

ECCENTRIC REDUCER
ONE SIDE STRAIGHT (NOT SHOWN)



MAJOR AXIS DUCT DIMENSION UP THRU 36" = 20 GAUGE
MAJOR AXIS DUCT DIMENSION 37" THRU 63" = 18 GAUGE