



6390 Philips Highway
Jacksonville, FL 32216
Phone (904) 737-7144

SPECIFICATION DATA SHEET

Model No. 1292-CRD

R-4.2 FIBERGLASS PLENUM BOX with CEILING RADIATION DAMPER

Date: 11/04/14 rev.

Drawn by: M.D.C.

DIMENSIONAL DATA

OUTSIDE DIMENSION OF BOX = REGISTER
SIZE PLUS 2".

MAXIMUM HEIGHT = 16"

RADIATION DAMPER RECESSED 2".

MINIMUM REGISTER SIZE = 4" x 4".

MAXIMUM REGISTER SIZE = 16" x 16" (MAXIMUM
AREA 256 SQ. IN.)

MINIMUM COLLAR OUTLET = 4" DIAMETER.

MAXIMUM COLLAR OUTLET = 10" DIAMETER.

FABRICATION DATA

METAL FRAME: ANGLES SECURING DUCT BOARD
SEAMS.

R-4.2 DUCT BOARD

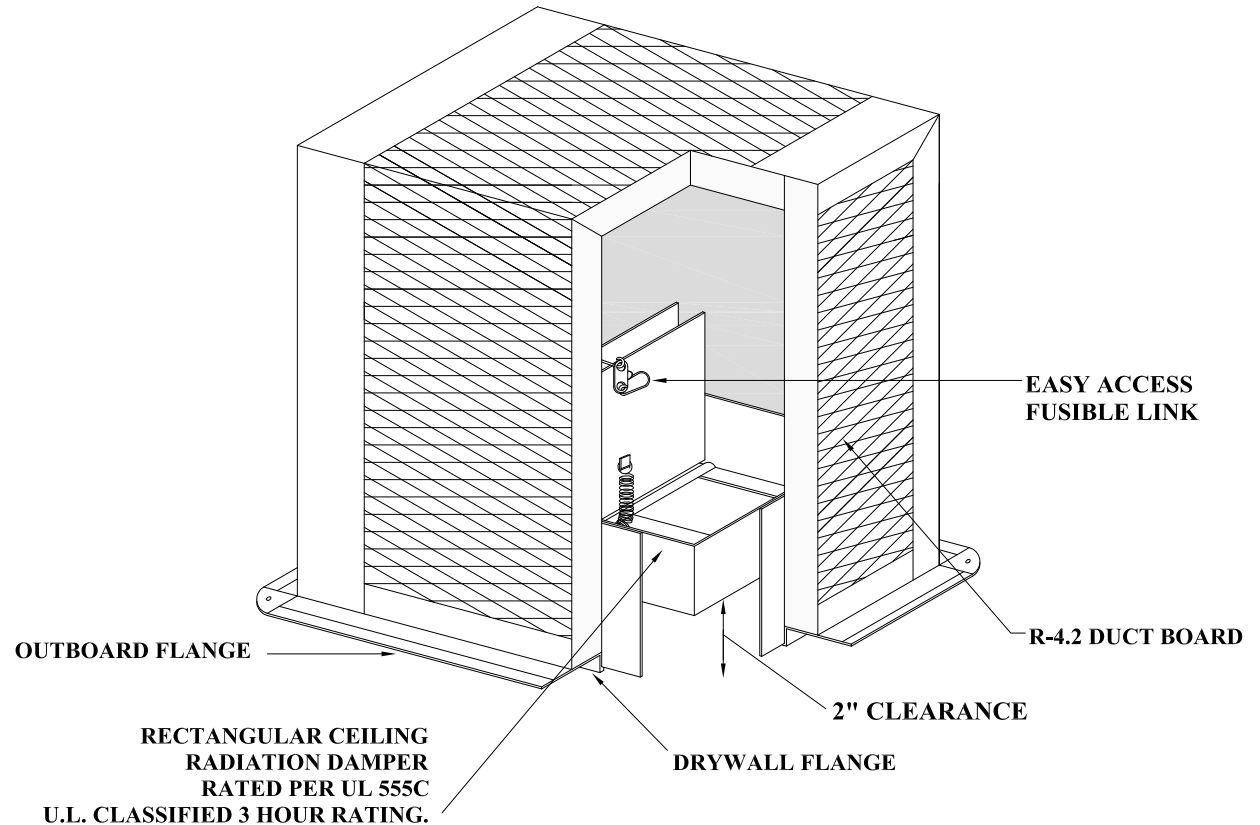
FEATURES

DUCT BOARD TOP AND SIDES.

R-4.2 INSULATION.

DUCT BOARD TOP AND SIDES ALLOW FOR
VARIOUS COLLAR OUTLET SIZES.

BLACK INTERIOR.



**1 HOUR RATED CEILING RADIATION DAMPER AND
FIBERGLASS PLENUM BOX ASSEMBLY RATED FOR USE
WITH FLOOR/CEILING WOOD TRUSS ASSEMBLY
CONSTRUCTIONS L558, L562, L563, L585, P533, P544, P545,
P547 AND EQUIVALENT TYPES.**

OPTIONS

AVAILABLE WITH EXTENDED DRYWALL FLANGE
FOR DOUBLE LAYER GYPSUM CEILING
MATERIALS INSTALLATION.

SPECIAL NOTES

DUCT COLLAR(S): CUTTING AND INSTALLATION OF COLLARS FOR UL CLASSIFIED CLASS 0 OR 1
FLEXIBLE AIR DUCTING CONNECTION COMPLETED BY OTHERS, (3) OUTLETS MAXIMUM.

CROWN MODEL No. 1292-CRD CORRESPONDS TO MODEL CRD-50-FGPB-4.2-CP AND
MODEL CRD-50-EA-FGPB-4.2-CP.

LLOYD INDUSTRIES CEILING RADIATION DAMPER U.L. CLASSIFIED 3 HOUR RATING USED IN ASSEMBLY.



6390 Philips Highway
Jacksonville, FL 32216
Phone (904) 737-7144

SPECIFICATION DATA SHEET

Date: 11/04/14 rev.

Drawn by: M.D.C.

Model No. 1592-CRD

**R-6 FIBERGLASS PLENUM BOX
with CEILING RADIATION DAMPER**

DIMENSIONAL DATA

OUTSIDE DIMENSION OF BOX = REGISTER
SIZE PLUS 3".

MAXIMUM HEIGHT = 16"

RADIATION DAMPER RECESSED 2".

MINIMUM REGISTER SIZE = 4" x 4".

MAXIMUM REGISTER SIZE = 16" x 16" (MAXIMUM
AREA 256 SQ. IN.)

MINIMUM COLLAR OUTLET = 4" DIAMETER.

MAXIMUM COLLAR OUTLET = 10" DIAMETER.

FABRICATION DATA

METAL FRAME: ANGLES SECURING DUCT BOARD
SEAMS.

R-6.0 DUCT BOARD

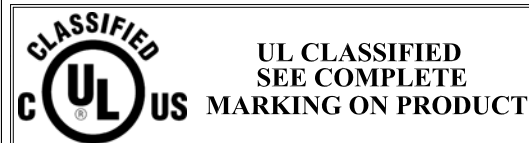
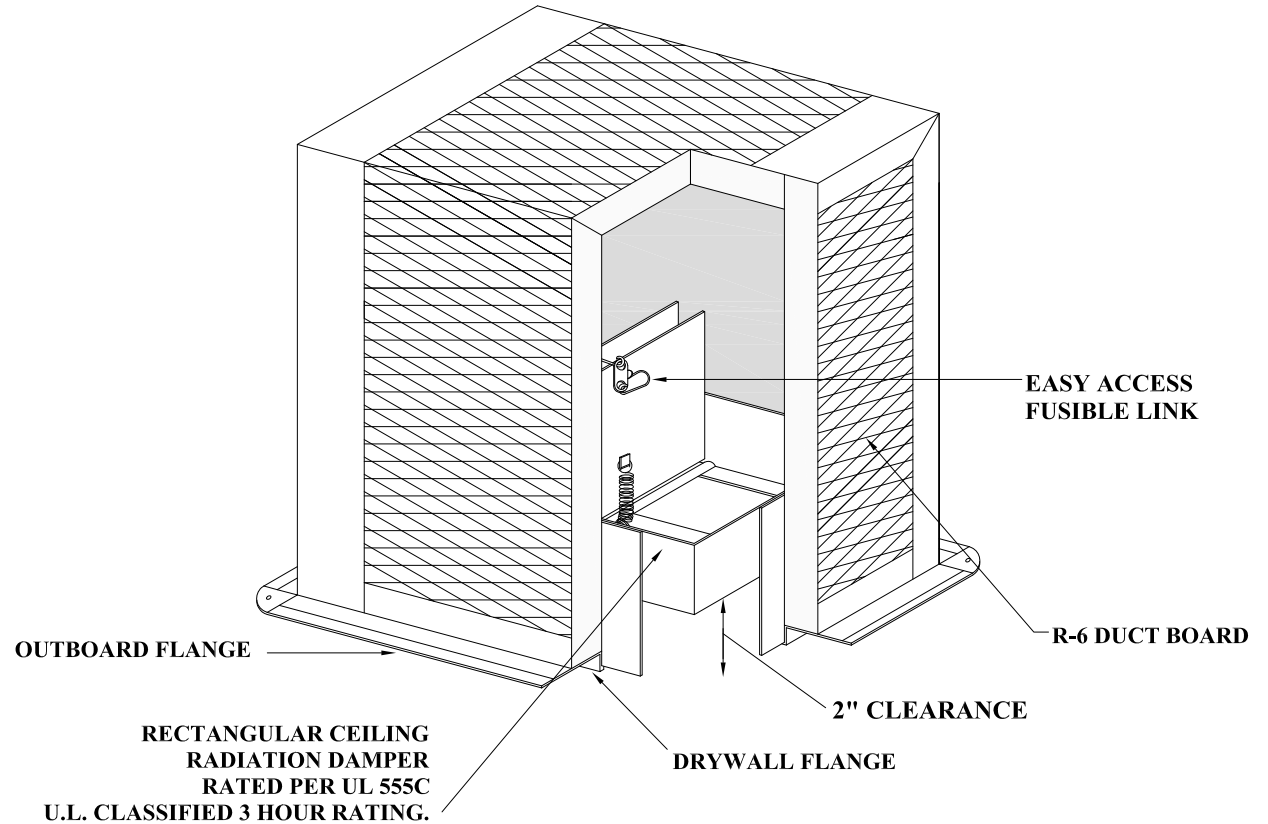
FEATURES

DUCT BOARD TOP AND SIDES.

R-6.0 INSULATION.

DUCT BOARD TOP AND SIDES ALLOW FOR
VARIOUS COLLAR OUTLET SIZES.

BLACK INTERIOR.



**1 HOUR RATED CEILING RADIATION DAMPER AND
FIBERGLASS PLENUM BOX ASSEMBLY RATED FOR USE
WITH FLOOR/CEILING WOOD TRUSS ASSEMBLY
CONSTRUCTIONS L558, L562, L563, L585, P533, P544, P545,
P547 AND EQUIVALENT TYPES.**

OPTIONS

AVAILABLE WITH EXTENDED DRYWALL FLANGE
FOR DOUBLE LAYER GYPSUM CEILING
MATERIALS INSTALLATION.

SPECIAL NOTES

DUCT COLLAR(S): CUTTING AND INSTALLATION OF COLLARS FOR UL CLASSIFIED CLASS 0 OR 1
FLEXIBLE AIR DUCTING CONNECTION COMPLETED BY OTHERS, (3) OUTLETS MAXIMUM.

CROWN MODEL No. 1592-CRD CORRESPONDS TO MODEL CRD-50-FGPB-6.0-CP AND
MODEL CRD-50-EA-FGPB-6.0-CP.

LLOYD INDUSTRIES CEILING RADIATION DAMPER U.L. CLASSIFIED 3 HOUR RATING USED IN ASSEMBLY.

CROWN MODEL No. 1292-CRD CORRESPONDING TO
MODEL CRD 50-FGPB-4.2-CP AND CRD-50-EA-FGPB-4.2-CP
CROWN MODEL No. 1592-CRD CORRESPONDING TO
MODEL CRD 50-FGPB-6.0-CP AND CRD 50-EA-FGPB-6.0-CP

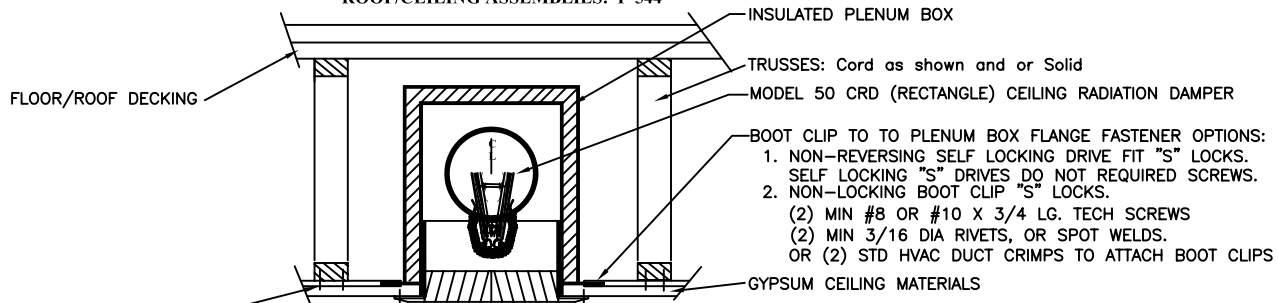
TRUSS/GYPSUM INSTALLATION INSTRUCTIONS

MODEL CRD 50-FGPB-4.2-CP, CRD 50-EA-FGPB-4.2-CP (SIDE OUTLET) CRD WITH F/G BOX ASM.
MODEL CRD 50-FGPB-6.0-CP, CRD-50-EA-FGPB-6.0-CP (SIDE OUTLET) CRD WITH F/G BOX ASM.

FOR REGISTER/GRILLE AND DUCTED APPLICATIONS

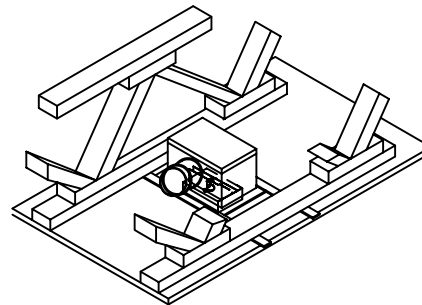
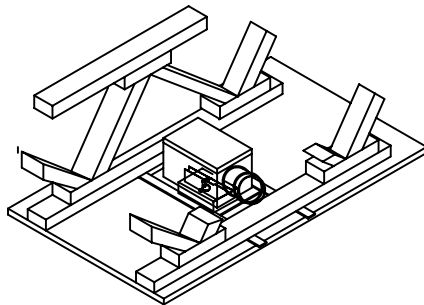
1 HOUR RATED ASSEMBLIES FOR USE IN UL RATED WOOD TRUSS TYPE PARTITIONS
FLOOR/CEILING, ROOF/CEILING: TRUSS/GYPSUM CONSTRUCTIONS

FLOOR/CEILING ASSEMBLIES: L-563
ROOF/CEILING ASSEMBLIES: P-544



BOOT CLIP (DRIVE "S" LOCKS) FASTENING TO TRUSS CORDS:
#6 COMMON NAILS, OR #8 OR #10 X 1-1/2" LG SCREWS
(2) FASTENERS PER BOOT CLIP, (1) AT EACH END MIN.
THROUGH THE CEILING GYPSUM AND SECURED INTO THE TRUSS CORDS
NOTE: INCREASE FASTENER LENGTH WHERE CEILING GYPSUM MATERIALS EXCEED 5/8" THICK.

1. NON-REVERSING SELF LOCKING DRIVE FIT "S" LOCKS.
SELF LOCKING "S" DRIVES DO NOT REQUIRED SCREWS.
2. NON-LOCKING BOOT CLIP "S" LOCKS.
(2) MIN #8 OR #10 X 3/4 LG. TECH SCREWS
(2) MIN 3/16 DIA RIVETS, OR SPOT WELDS.
OR (2) STD HVAC DUCT CRIMPS TO ATTACH BOOT CLIPS



Notes:

SIDE OUTLET THRU TRUSS CORD

SIDE OUTLET PARALLEL TO TRUSSES

- Before installing the damper, Model CRD-50-FGPB-4.2-CP (rectangle), and Model CRD-50-EA-FGPB-4.2-CP (rectangle) open the blades and hook the fusible link over the link catch on the opposite blade. Bend down the link catch to secure the link in position. For Model CRD-50-EA-FGPB-4.2-CP flex the spring wire and secure the link.
- Measure the actual truss centers and add approx. 6" to determine boot clip lengths. (2) required per box
- Drive (2) Self Locking "S" Boot Clips to the plenum box flange centering the plenum box as required. Where required to insure permanent attachment, fasten boot clips to the plenum box using the fasteners listed below. Note: When Non-Drive boot clips are used, fasten boot clips to the plenum box flange using a minimum of (2) #8 or #10 x 3/4" Lg sheet metal screws, (2) 3/16" diameter rivets, or (2) spot welds, for each boot clip.
- Boot Clips are fastened to joists or other structural members with a minimum of two fasteners for each mounting point using #6 common nails or #8/#10 x 1-1/2" min. lg screws. Note: Increase fastener length where gypsum/drywall ceiling materials exceed 5/8" thick.
- The clearance between each side of the ceiling damper and the duct drop shall be 1/8 inch maximum.
- Steel or Aluminum grille or diffuser to be attached to the duct drop or ceiling damper using #8 by 1/2 inch long sheet metal screws at 6 inches o.c. and a minimum of (3) places.

IMPORTANT NOTES:

REGISTER BOX/DROP DUCT INSTALLATIONS MUST BE INSULATED AND CONFORM TO LOCAL AUTHORITY REQUIREMENTS
FASTENERS MUST NOT INTERFERE WITH THE DAMPER BLADES OPERATION.



NOTE:
ALL INSTALLATIONS ARE SUBJECT TO LOCAL
AUTHORITY APPROVAL PRIOR TO ORDERING AND
INSTALLING DAMPERS.