



6390 Philips Highway
Jacksonville, FL 32216
Phone (904) 737-7144

SPECIFICATION DATA SHEET

MODEL No. 1565-CRD

CEILING RADIATION DAMPER PLENUM / REGISTER BOX ASSEMBLY

Date: 06/21/18 rev. Drawn by: M.D.C.

DIMENSIONAL DATA

OUTSIDE DIMENSION OF BOX = REGISTER SIZE PLUS 3".
HEIGHT OF BOX = DIAMETER OF THE COLLAR PLUS 5-1/2", MAXIMUM HEIGHT 16"
COLLAR = 3" LONG.
RADIATION DAMPER RECESSED 2".
MINIMUM REGISTER SIZE = 4" X 4".
MAXIMUM REGISTER SIZE = 16" X 16" (MAXIMUM AREA 256 SQ. IN.)
MINIMUM COLLAR SIZE = 4" DIAMETER.
MAXIMUM COLLAR SIZE = 10" DIAMETER.

FABRICATION DATA

OUTER BOX: 28 GAUGE GALVANIZED STEEL.
COLLAR: ROLL FORMED 28 GAUGE GALVANIZED STEEL.
R-6 DUCT BOARD INSULATION, FSK FACING AIRSTREAM, FIBER GLASS NOT EXPOSED TO AIRSTREAM.

FEATURES

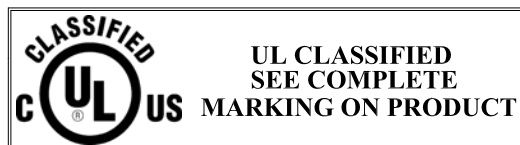
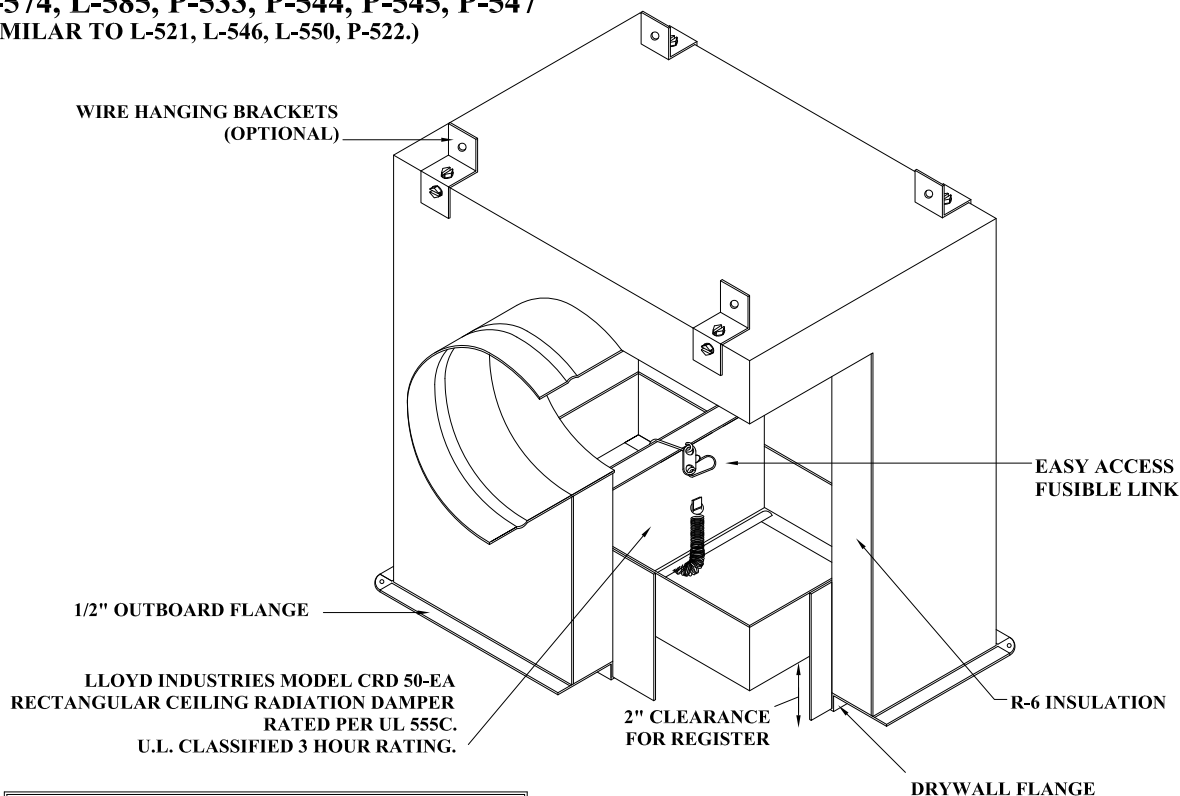
RADIATION DAMPER FEATURES:
U.L. CLASSIFIED 3 HOUR RATING.
U.L. LISTED LINK.
BLADES: 22 GAUGE GALVANIZED STEEL.
CERAMIC FIBER WITH FIBERGLASS COVER.

(CERAMIC INSULATION IS NOT REQUIRED ON DAMPERS WITH AREAS LESS THAN 80 SQUARE INCHES AND IS OPTIONAL. DAMPERS ABOVE 80 SQUARE INCHES WILL BE PROVIDED WITH BLADE INSULATION.)

OPTIONS

No. 1575-CRD CEILING RADIATION DAMPER BOX WITH TOP ENTRY.
AVAILABLE WITH EXTENDED DRYWALL FLANGE FOR DOUBLE LAYER GYPSUM CEILING MATERIALS INSTALLATION.

1 HOUR RATED CRD/REGISTER/GRILLE ASSEMBLY CRD/PLENUM BOX ASSEMBLY FOR FLOOR/CEILING AND ROOF/CEILING WOOD TRUSS ASSEMBLIES
UL DESIGN L-528, L-558, L-562, L-563, L-574, L-585, P-533, P-544, P-545, P-547
(SIMILAR TO L-521, L-546, L-550, P-522.)



SPECIAL NOTES

1 HOUR RATED CRD/REGISTER/GRILLE ASSEMBLY WITH CRD/PLENUM BOX ASSEMBLY FOR USE IN FLOOR-CEILING AND ROOF-CEILING WOOD TRUSS CONSTRUCTION OF TYPES L-528, L-558, L-562, L-563, L-574, L-585, P-533, P-544, P-545, P-547 (SIMILAR TO L-521, L-546, L-550, P-522.)

LLOYD INDUSTRIES CEILING RADIATION DAMPER U.L. CLASSIFIED 3 HOUR RATING USED IN ASSEMBLY.
CROWN MODEL No. 1565-CRD CORRESPONDS TO MODEL CRD 50-BT & CRD 50-EA-BT. UL FILE No. R15858



6390 Philips Highway
Jacksonville, FL 32216
Phone (904) 737-7144

SPECIFICATION DATA SHEET

MODEL No. 1575-CRD

**CEILING RADIATION DAMPER
PLENUM / REGISTER BOX ASSEMBLY**

Date: 06/21/18 rev.

Drawn by: M.D.C.

DIMENSIONAL DATA

OUTSIDE DIMENSION OF BOX = REGISTER SIZE PLUS 3".

HEIGHT OF BOX = 4-1/2"

COLLAR = 3" LONG, MAXIMUM 12" DIAMETER.

MINIMUM REGISTER SIZE: 4" x 4", MAXIMUM REGISTER SIZE: 16" x 16" (256 SQ.IN.)

MAXIMUM REGISTER SIZE: 16" x 16" (MAXIMUM 256 SQ. IN.)

4" DIAMETER COLLAR TO HAVE LLOYD MODEL CRD 55 DAMPER.

5" THRU 12" DIAMETER COLLARS TO HAVE LLOYD MODEL CRD 55-EA DAMPER.

FABRICATION DATA

OUTER BOX: 28 GAUGE GALVANIZED STEEL.

COLLAR: ROLL FORMED 28 GAUGE GALVANIZED STEEL.

R-6 DUCT BOARD INSULATION, FSK FACING AIRSTREAM, FIBER GLASS NOT EXPOSED TO AIRSTREAM.

FEATURES

RADIATION DAMPER FEATURES:
U.L. CLASSIFIED 3 HOUR RATING.
U.L. LISTED LINK.

BLADES: 22 GAUGE GALVANIZED STEEL.
CERAMIC FIBER WITH FIBERGLASS COVER.

(CERAMIC INSULATION IS NOT REQUIRED ON DAMPERS WITH AREAS LESS THAN 80 SQUARE INCHES AND IS OPTIONAL. DAMPERS ABOVE 80 SQUARE INCHES WILL BE PROVIDED WITH BLADE INSULATION.)

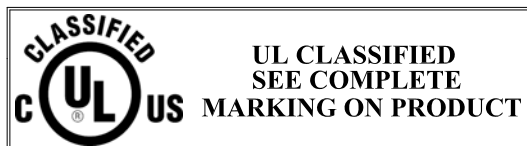
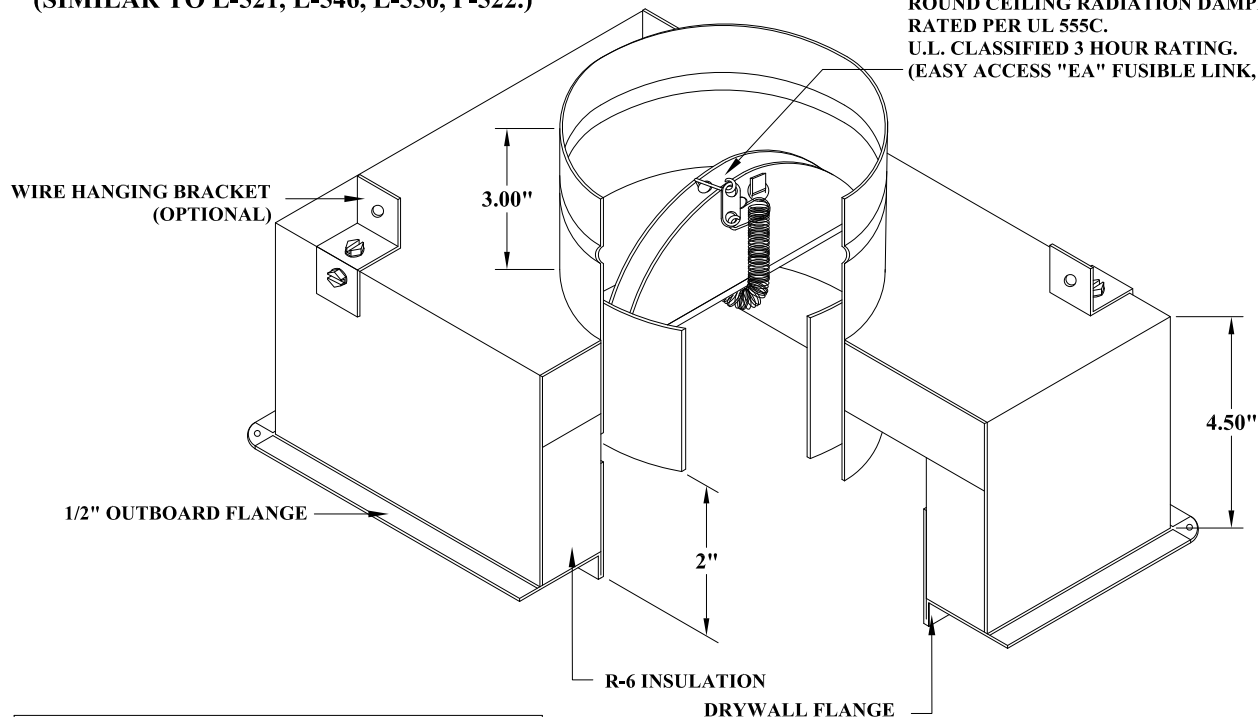
OPTIONS

No. 1565-CRD CEILING RADIATION DAMPER BOX WITH SIDE COLLAR ENTRY.

AVAILABLE WITH EXTENDED DRYWALL FLANGE FOR DOUBLE LAYER GYPSUM CEILING MATERIALS INSTALLATION.

**1 HOUR RATED CRD/REGISTER/GRILLE ASSEMBLY
CRD/REGISTER BOX ASSEMBLY FOR FLOOR/CEILING
AND ROOF/CEILING WOOD TRUSS ASSEMBLIES
UL DESIGN L-528, L-558, L-562, L-563,
L-574, L-585, P-533, P-544, P-545, P-547
(SIMILAR TO L-521, L-546, L-550, P-522.)**

LLOYD INDUSTRIES MODEL 55 OR 55-EA
ROUND CEILING RADIATION DAMPER
RATED PER UL 555C.
U.L. CLASSIFIED 3 HOUR RATING.
(EASY ACCESS "EA" FUSIBLE LINK, SHOWN)



SPECIAL NOTES

1 HOUR RATED CRD/REGISTER/GRILLE ASSEMBLY WITH CRD/PLENUM BOX ASSEMBLY FOR USE IN FLOOR-CEILING AND ROOF-CEILING WOOD TRUSS CONSTRUCTION OF TYPES L-528, L-558, L-562, L-563, L-574, L-585, P-533, P-544, P-545, P-547 (SIMILAR TO L-521, L-546, L-550, P-522.)

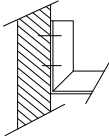
LLOYD INDUSTRIES CEILING RADIATION DAMPER U.L. CLASSIFIED 3 HOUR RATING USED IN ASSEMBLY.
CROWN MODEL No. 1575-CRD CORRESPONDS TO MODEL CRD 55-BT & CRD 55-EA-BT.

**CROWN MODEL No. I565-CRD CORRESPONDING TO
MODEL CRD 50-BT AND CRD 50-EA-BT**
**CROWN MODEL No. I575-CRD CORRESPONDING TO
MODEL CRD 55-BT AND CRD 55-EA-BT**

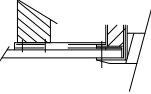
TRUSS/GYPSUM INSTALLATION INSTRUCTIONS

MODEL CRD 50-BT AND CRD 50-EA-BT (90° RECTANGLE CRD/REGISTER BOX ASM.)
MODEL CRD 55-BT AND CRD 55-EA-BT (STRAIGHT RECTANGLE CRD/REGISTER BOX ASM.)
MODEL CRD 55-BT-45° AND MODEL CRD 55-EA-BT-45°

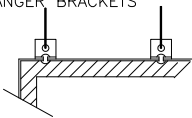
OPTIONAL
90° FORMED
ANGLE ENDS
FOR SIDE
FASTENING
IN TRUSSES



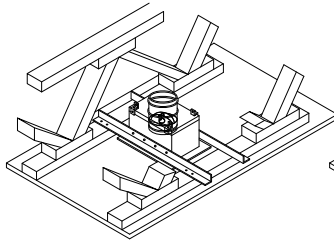
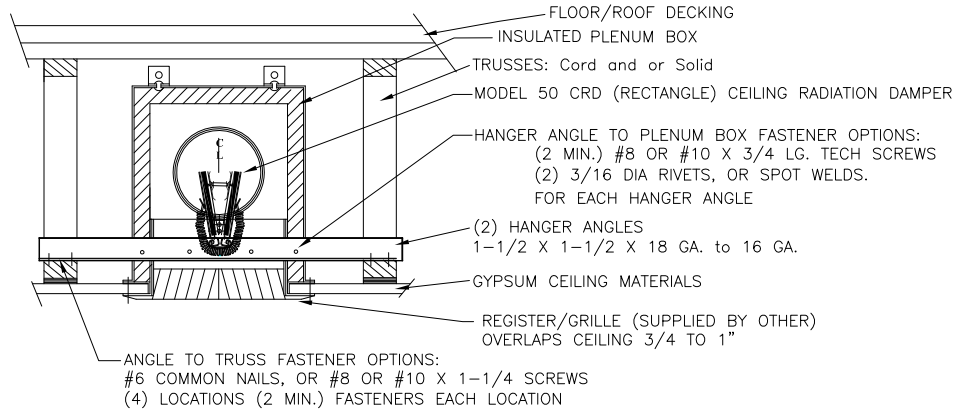
OPTIONAL
FLUSH MOUNT
INSTALLATION
DRIVE "S" LOCKS
ON BOX FLANGES
IN PLACE OF
HANGER ANGLES



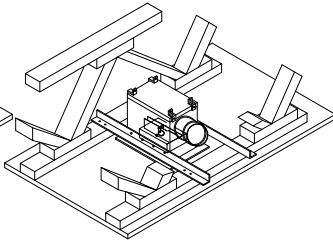
OPTIONAL
DROP CEILING
INSTALLATION
WITH .06 DIA.
WIRE FASTENERS
ON PROVIDED
HANGER BRACKETS



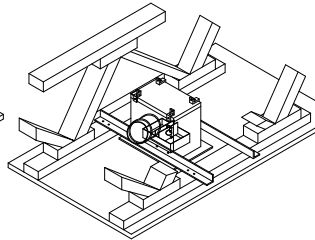
1 HOUR RATED ASSEMBLIES FOR USE IN
FLOOR/CEILING, ROOF/CEILING: TRUSS/GYPSUM CONSTRUCTION
UL DESIGNS: L563, L585, L574, P544, P547, P545



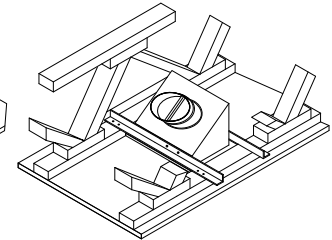
MODEL 55-EA-BT STRAIGHT DUCTING



MODEL 50-EA-BT DUCTED 90° THRU TRUSSES



MODEL 50-EA-BT DUCTED 90° PARALLEL TO TRUSSES



MODEL CRD55-BT-45°

Notes:

- Before installing the damper, CRD Model 50-BT (rectangle), and CRD Model 50-EA-BT (rectangle) open the blades and hook the fusible link over the link catch on the opposite blade. Bend down the link catch to secure the link in position. For CRD Model 50-EA-BT flex the spring wire and secure the link.
- Measure the actual truss centers and add approx. 6" to determine straight angle lengths. (2 required per box) When using the optional formed angle allow for adequate flanges at each mounting point and cut and bend the angles on both ends to 90 degrees. or the appropriate angle required.
- Establish the location of the gypsum flange and fasten the (2) hanger angles to the plenum box with (2) minimum #8 x 3/4 sheet metal screws or 3/16 diameter rivets for each hanger angle. spot welding or bolts. Four connections on each angle as a minimum.
Note: fastener positions must not interfere with the damper blade operation.
- Mounting angles are fastened to joists or other structural members with a minimum of two fasteners for each mounting point using #6 common nails or #8 x 1-1/4" long screws.
- The clearance between each side of the ceiling damper and the duct drop shall be 1/8 inch maximum.
- Steel or Aluminum grille or diffuser to be attached to the duct drop or ceiling damper using No. 8 by 1/2 inch long sheet metal screws at 6 inches o.c. and a minimum of (3) places.

IMPORTANT:
FASTENERS MUST NOT INTERFERE WITH THE DAMPER BLADES OPERATION.

