



6390 Philips Highway  
Jacksonville, FL 32216  
Phone (904) 737-7144

## SPECIFICATION DATA SHEET

# MODEL No. 965

WYE

Date: 06/19/20

Drawn by: M.D.C.

### DIMENSIONAL DATA

#### SIZES AVAILABLE:

10" x 8" x 8"  
10" x 10" x 10"  
12" x 10" x 10"  
12" x 12" x 12"  
14" x 10" x 10"  
14" x 12" x 12"  
14" x 14" x 14"

### FABRICATION DATA

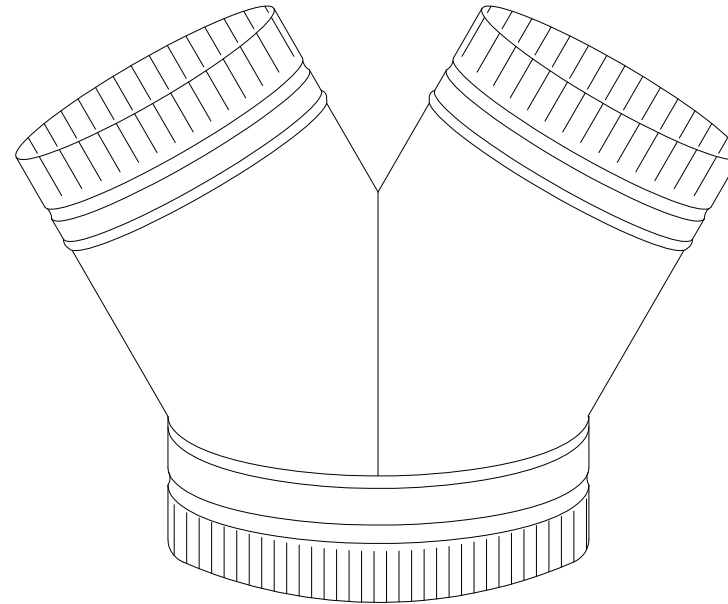
#### MATERIAL:

FABRICATED FROM HOT-DIPPED GALVANIZED  
STEEL SHEET OF LOCK FORMING QUALITY  
PER ASTM A653 CS TYPE B.

10" x 8" x 8" 28 GAUGE  
10" x 10" x 10" 28 GAUGE  
12" x 10" x 10" 26 GAUGE  
12" x 12" x 12" 26 GAUGE  
14" x 10" x 10" 26 GAUGE  
14" x 12" x 12" 26 GAUGE  
14" x 14" x 14" 26 GAUGE

### FEATURES

ALL THREE COLLARS HAVE CRIMP AND BEAD  
FOR FLEX DUCT CONNECTIONS.



### OPTIONS

### SPECIAL NOTES