



6390 Phillips Highway
Jacksonville, FL 32216
Phone (904) 737-7144

SPECIFICATION DATA SHEET

MODEL No. 798
1 1/2" WIDE HANGER STRAP

Date: 04/10/15

Drawn by: M.D.C.

DIMENSIONAL DATA

1 1/2" WIDE x 100' ROLLS

FABRICATION DATA

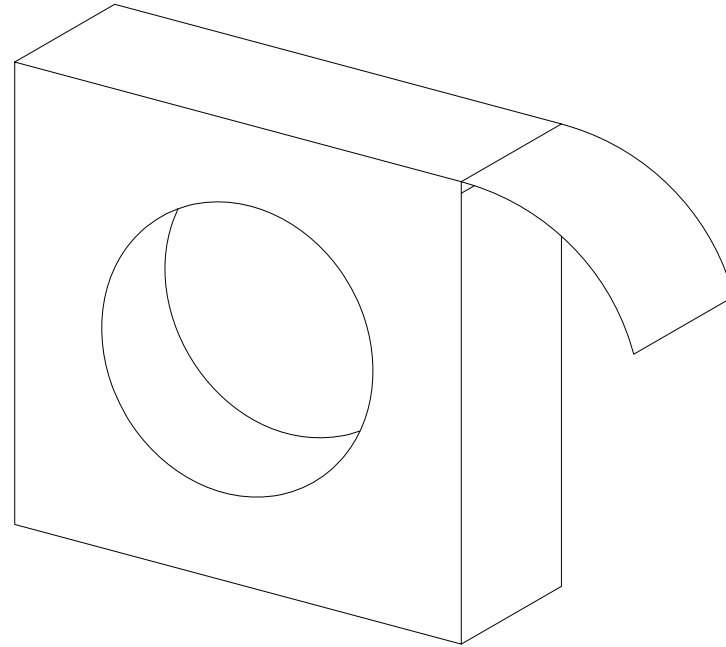
MATERIAL: FABRICATED FROM GALVANIZED
STEEL SHEET, ASTM-A653 CS TYPE B.

AVAILABLE GAUGES:

30 GAUGE - .013" MINIMUM STEEL THICKNESS
26 GAUGE - .019" MINIMUM STEEL THICKNESS
22 GAUGE - .030" MINIMUM STEEL THICKNESS

FEATURES

100 FEET 1 1/2" WIDE STRAP IN CARTON.



OPTIONS

SPECIAL NOTES

MANUFACTURED IN THE U.S.A.