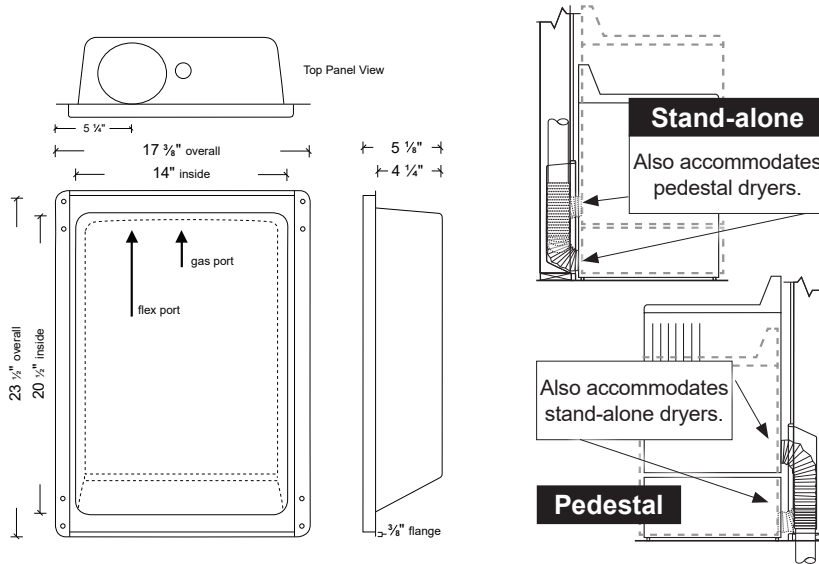


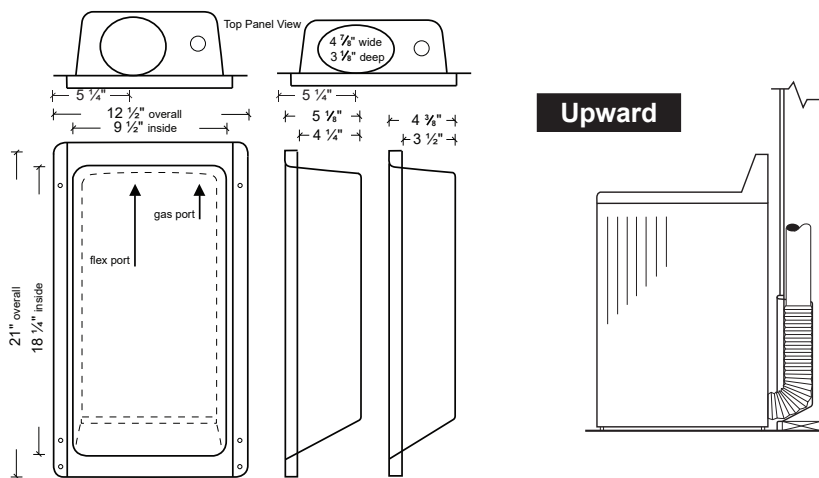


# Technical Product Specifications

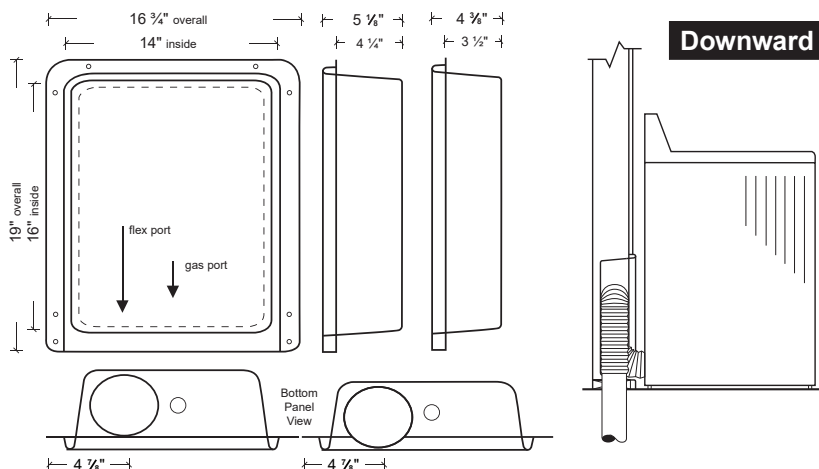
480 - Up, Down / Pedestal, Stand-alone



425 / 350 - Upward Venting



4D / 3D - Downward Venting



Model Number	Wall Size	Exhaust Direction
480	2X6	Up & Down
425	2X6	Upward
350	2X4	Upward
4D	2X6	Downward
3D	2X4	Downward

## Performance Data

### For Use:

- Dryer vent hose receptacle
- Doubles as gas connection receptacle
- Meets code requirements as a clean-out

### Materials:

- Model 480, 425 and 350 deep drawn with .028 aluminized steel (22 gauge)
- Model 4D and 3D deep drawn with .031 aluminized steel (22 gauge)
- UL Classified for use in a one hour wall assembly (UL System # W-L-7129)



US Patents 6,419,102 and 7,731,045

## General Information

### Benefits:

- Locate the dryer right up against the wall
- Flex is protected from getting crushed
- Lint build-up is minimized
- Efficiency is increased...clothes dry faster
- Laundry room appears larger to prospects
- Reduces the fire hazard
- Reduces mold potential in the wall

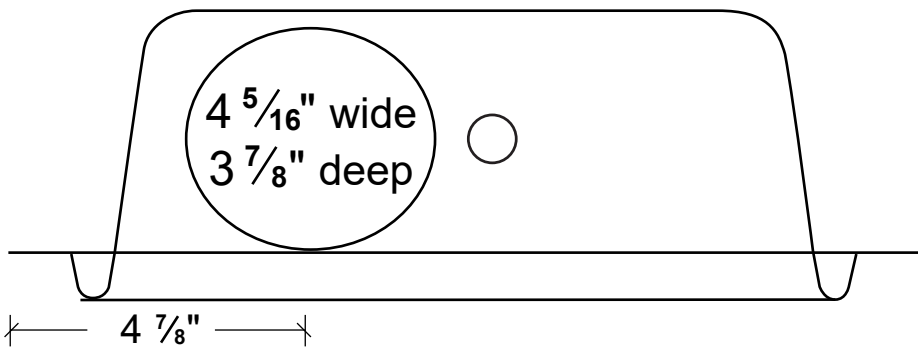
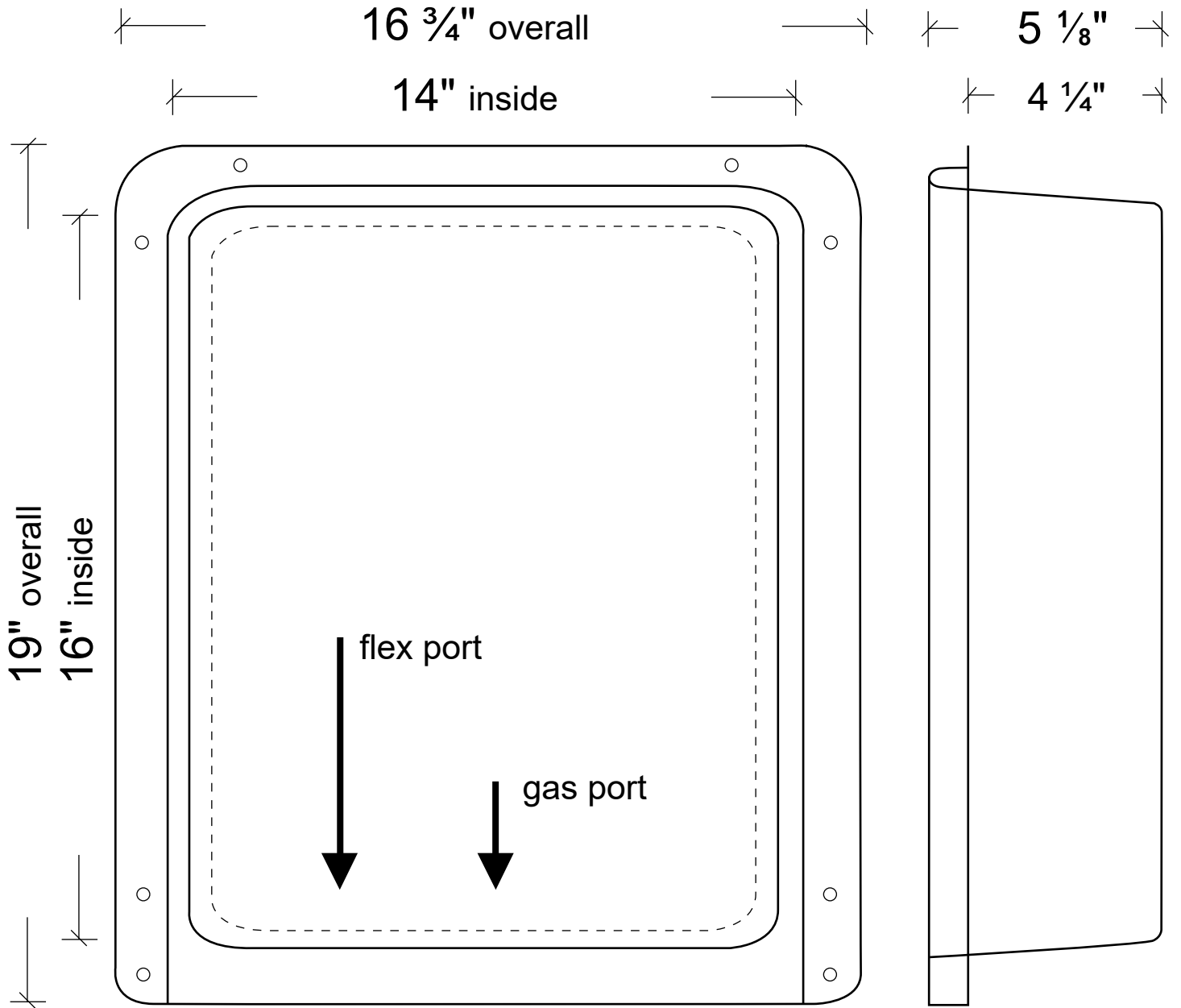
### Features:

- No trim-ring piece is needed
- Elbow eliminator...gain 5 foot of duct run
- Surface is paintable, no masking needed
- Convenient Duct Support Tab

## Manufactured By

**InOvate Technologies, Inc.**  
 250 S. Central Blvd. Suite 207  
 Jupiter, FL 33458  
 Phone: (888) 443-7937  
 Fax: (561) 745-9723  
 www.dryerbox.com

# MODEL 4D



Bottom Panel View