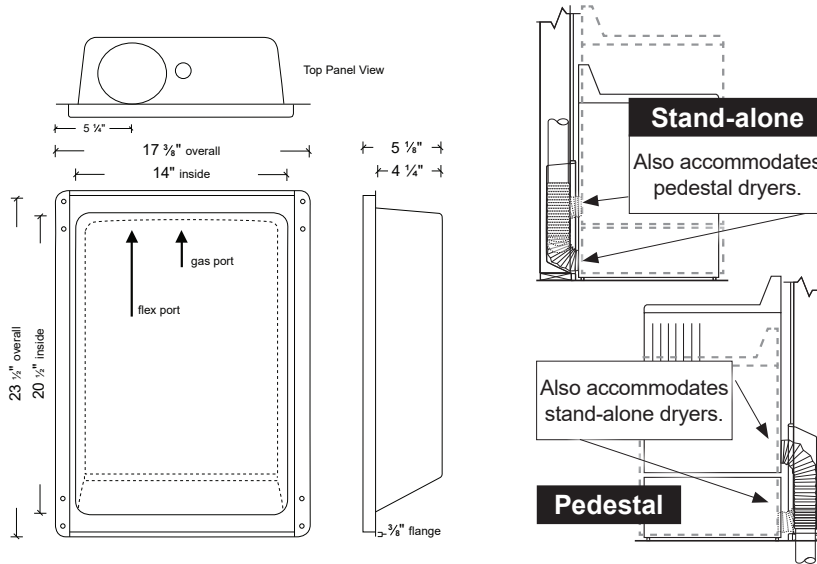




Technical Product Specifications

480 - Up, Down / Pedestal, Stand-alone



Model Number	Wall Size	Exhaust Direction
480	2X6	Up & Down
425	2X6	Upward
350	2X4	Upward
4D	2X6	Downward
3D	2X4	Downward

Performance Data

- For Use:**
- Dryer vent hose receptacle
 - Doubles as gas connection receptacle
 - Meets code requirements as a clean-out

- Materials:**
- Model 480, 425 and 350 deep drawn with .028 aluminized steel (22 gauge)
 - Model 4D and 3D deep drawn with .031 aluminized steel (22 gauge)
 - UL Classified for use in a one hour wall assembly (UL System # W-L-7129)



US Patents 6,419,102 and 7,731,045

General Information

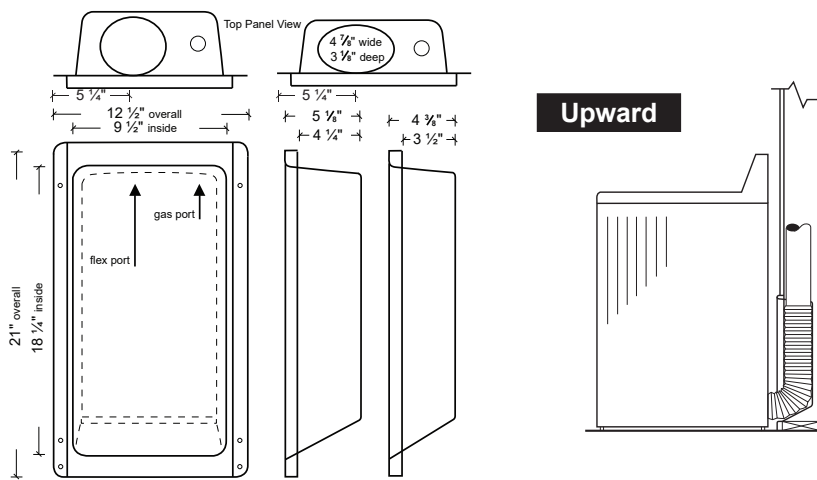
- Benefits:**
- Locate the dryer right up against the wall
 - Flex is protected from getting crushed
 - Lint build-up is minimized
 - Efficiency is increased...clothes dry faster
 - Laundry room appears larger to prospects
 - Reduces the fire hazard
 - Reduces mold potential in the wall

- Features:**
- No trim-ring piece is needed
 - Elbow eliminator...gain 5 foot of duct run
 - Surface is paintable, no masking needed
 - Convenient Duct Support Tab

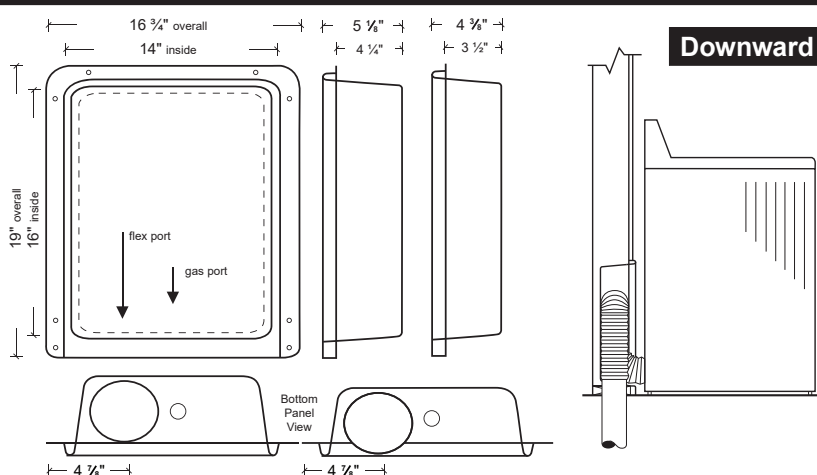
Manufactured By

InOvate Technologies, Inc.
 250 S. Central Blvd. Suite 207
 Jupiter, FL 33458
 Phone: (888) 443-7937
 Fax: (561) 745-9723
 www.dryerbox.com

425 / 350 - Upward Venting



4D / 3D - Downward Venting



MODEL 350

