



6390 Philips Highway  
Jacksonville, FL 32216  
Phone (904) 737-7144

## SPECIFICATION DATA SHEET

# MODEL No. 667 PCH

## UNIT S/A - R/A ADAPTERS

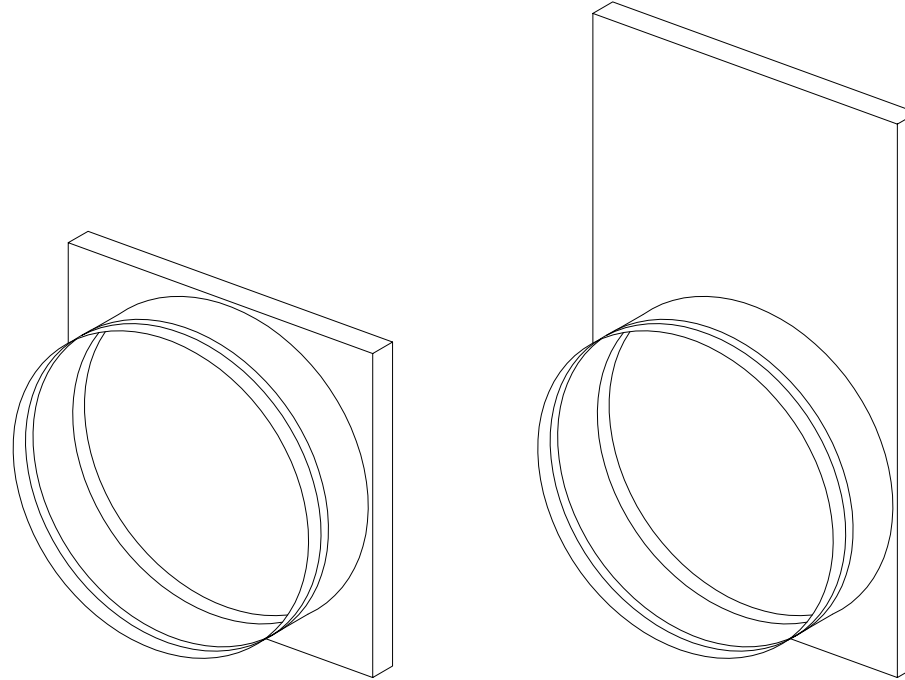
Date: 01/27/11

Drawn by: M.D.C.

### DIMENSIONAL DATA

667PCH1	12 $\frac{1}{8}$ " x 12 $\frac{1}{8}$ " - 11 $\frac{7}{8}$ " Rd. 12 $\frac{1}{8}$ " x 20 $\frac{1}{8}$ " - 13 $\frac{7}{8}$ " Oval
667PCH2	14 $\frac{1}{8}$ " x 14 $\frac{1}{8}$ " - 13 $\frac{7}{8}$ " Rd. 14 $\frac{1}{8}$ " x 22 $\frac{1}{8}$ " - 13 $\frac{7}{8}$ " Rd.
667PCH3	14 $\frac{1}{8}$ " x 14 $\frac{1}{8}$ " - 13 $\frac{7}{8}$ " Rd. 14 $\frac{1}{8}$ " x 24 $\frac{1}{8}$ " - 13 $\frac{7}{8}$ " Rd.
667PCH4	14 $\frac{1}{8}$ " x 14 $\frac{1}{8}$ " - 13 $\frac{7}{8}$ " Rd. 14 $\frac{1}{8}$ " x 22 $\frac{1}{8}$ " - 15 $\frac{7}{8}$ " Oval
667PCH5	14 $\frac{1}{8}$ " x 14 $\frac{1}{8}$ " - 13 $\frac{7}{8}$ " Rd. 14 $\frac{1}{8}$ " x 24 $\frac{1}{8}$ " - 17 $\frac{7}{8}$ " Oval
667PCH6	14 $\frac{1}{8}$ " x 14 $\frac{1}{8}$ " - 11 $\frac{7}{8}$ " Rd. 14 $\frac{1}{8}$ " x 22 $\frac{1}{8}$ " - 13 $\frac{7}{8}$ " Rd.
667PCH7	14 $\frac{1}{8}$ " x 14 $\frac{1}{8}$ " - 11 $\frac{7}{8}$ " Rd. 14 $\frac{1}{8}$ " x 24 $\frac{1}{8}$ " - 13 $\frac{7}{8}$ " Rd.
667PCH8	16 $\frac{1}{8}$ " x 16 $\frac{1}{8}$ " - 13 $\frac{7}{8}$ " Rd. 16 $\frac{1}{8}$ " x 16 $\frac{1}{8}$ " - 13 $\frac{7}{8}$ " Rd.
667PCH9	16 $\frac{1}{8}$ " x 18 $\frac{1}{8}$ " - 13 $\frac{7}{8}$ " Rd. 16 $\frac{1}{8}$ " x 18 $\frac{1}{8}$ " - 13 $\frac{7}{8}$ " Rd.
667PCH10	14 $\frac{1}{8}$ " x 14 $\frac{1}{8}$ " - 13 $\frac{7}{8}$ " Rd. 14 $\frac{1}{8}$ " x 24 $\frac{1}{8}$ " - 15 $\frac{7}{8}$ " Oval

1" DEEP  
3" LONG COLLAR



### FABRICATION DATA

MATERIAL:  
26 GALVANIZED STEEL

LINED WITH 1" THICK INSULATION

### SPECIAL NOTES