



6390 Philips Highway
 Jacksonville, FL 32216
 Phone (904) 737-7144

SPECIFICATION DATA SHEET

Date: 01/25/11

Drawn by: M.D.C.

MODEL No. 667 ICP

UNIT R/A ADAPTER

DIMENSIONAL DATA

TWO SIZES AVAILABLE:

14 1/8" x 20 1/2" - 14"Ø and
 14 1/8" x 20 1/2" - 16" OVAL

COVER PANEL IS 1" DEEP WITH 1/2" OUT BOARD FLANGE

COLLAR IS 1/8" UNDERSIZED WITH BEAD FOR FLEX DUCT

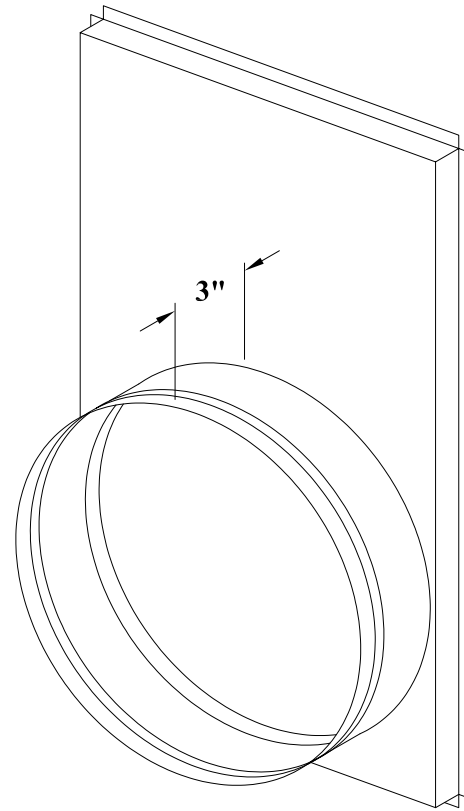
COLLAR IS 3" LONG

COLLAR IS LOCATED 1" UP FROM BOTTOM

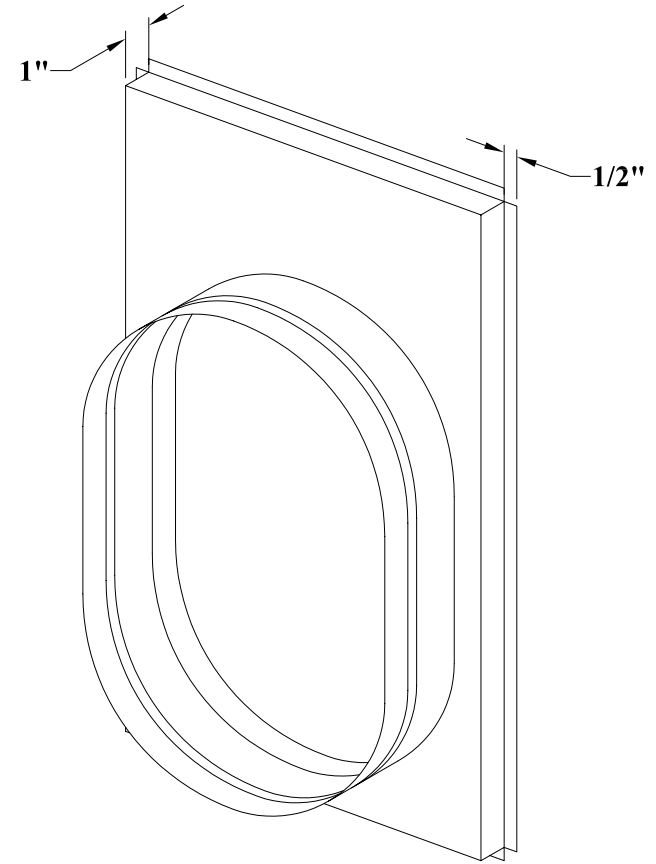
FABRICATION DATA

MATERIAL:
 26 GAUGE GALVANIZED STEEL

LINED WITH 1" THICK LINER



14 1/8" x 20 1/2" - 14"Ø



14 1/8" x 20 1/2" - 16" OVAL

OPTIONS

SPECIAL NOTES