



6390 Philips Highway
Jacksonville, FL 32216
Phone (904) 737-7144

SPECIFICATION DATA SHEET

MODEL No. 626-FL-DSO

TWIST LOCK COLLAR FOR 1 1/2" DUCT BOARD
WITH SCOOP, MANUAL VOLUME DAMPER AND
2" DAMPER HANDLE STANDOFF

Date: 06/09/20 rev.

Drawn by: M.D.C.

DIMENSIONAL DATA

SIZES AVAILABLE: 4" THROUGH 20" DIAMETER

COLLAR LENGTH = 4 3/4" LONG

FABRICATION DATA

MATERIAL:
FABRICATED FROM HOT-DIPPED GALVANIZED
STEEL SHEET OF LOCK FORMING QUALITY
PER ASTM A653 CS TYPE B.

ALL DIAMETERS = 30 GAUGE

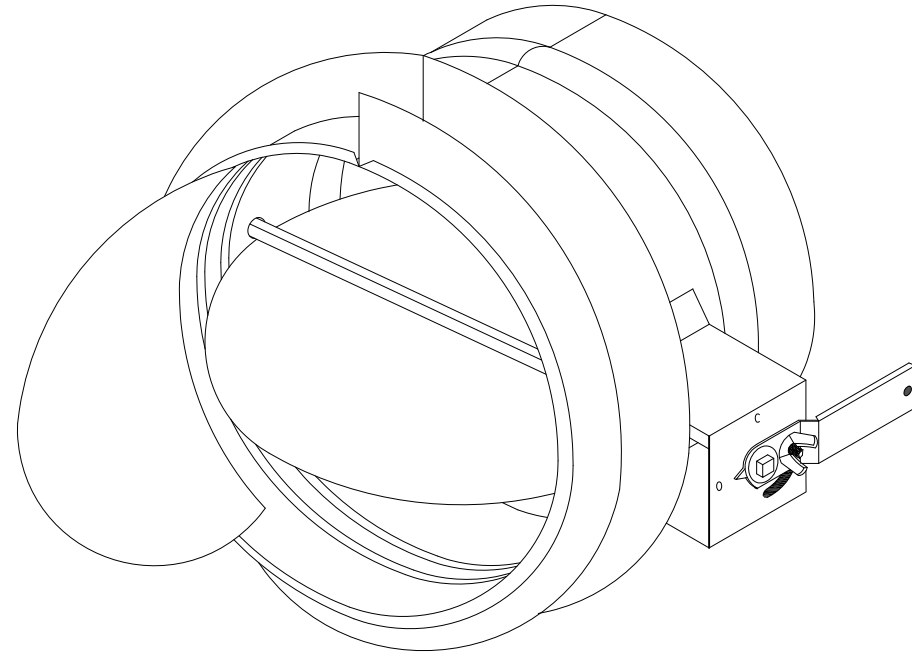
FEATURES

CONVEX BEAD FOR FLEX DUCT CONNECTION.

DESIGNED FOR 1 1/2" DUCT BOARD.

MANUAL VOLUME DAMPER WITH 1/4" CONTINUOUS
ROD DAMPER AXIS WITH LOCKING REGULATOR,
GROMMETS INSTALLED AT THE COLLAR
PENETRATIONS.

2" DAMPER HANDLE STANDOFF.



OPTIONS

SPECIAL NOTES

RECOMMENDED INSTALLATION: DAMPER AXIS PARALLEL TO AIR FLOW.