



6390 Philips Highway
Jacksonville, FL 32216
Phone (904) 737-7144

SPECIFICATION DATA SHEET

Date: 06/09/20 rev.

Drawn by: M.D.C.

MODEL No. 626-DSO

TWIST LOCK COLLAR FOR 1" DUCT BOARD
WITH SCOOP, MANUAL VOLUME DAMPER AND
2" DAMPER HANDLE STANDOFF

DIMENSIONAL DATA

SIZES AVAILABLE: 4" THROUGH 20" DIAMETER
COLLAR LENGTH = 4 3/4" LONG

FABRICATION DATA

MATERIAL:
FABRICATED FROM HOT-DIPPED GALVANIZED
STEEL SHEET OF LOCK FORMING QUALITY
PER ASTM A653 CS TYPE B.

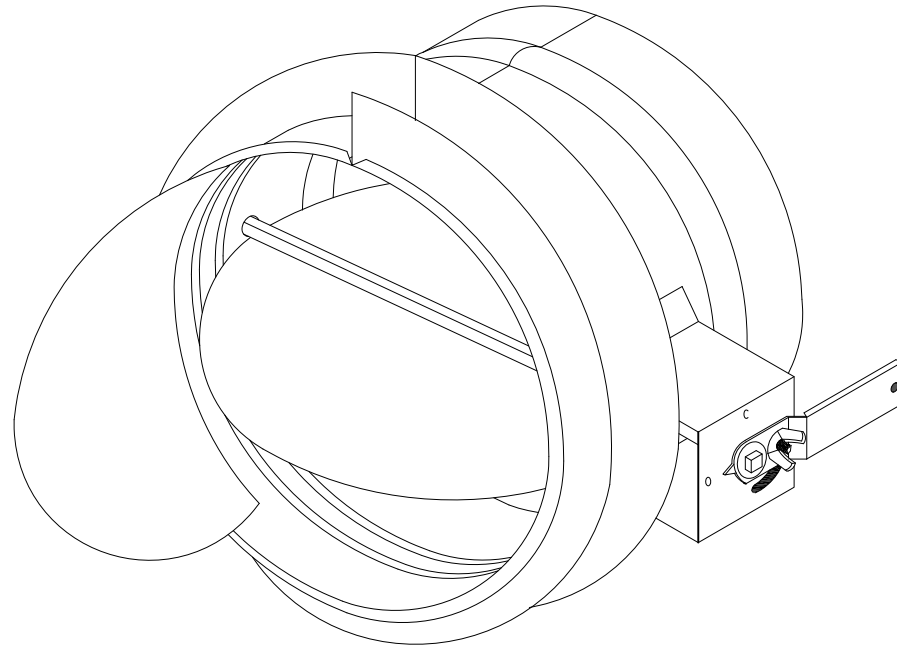
ALL DIAMETERS = 30 GAUGE

FEATURES

CONVEX BEAD FOR FLEX DUCT CONNECTION.
DESIGNED FOR 1" DUCT BOARD.

MANUAL VOLUME DAMPER WITH 1/4" CONTINUOUS
ROD DAMPER AXIS WITH LOCKING REGULATOR,
GROMMETS INSTALLED AT THE COLLAR
PENETRATIONS.

2" DAMPER HANDLE STANDOFF.



OPTIONS

SPECIAL NOTES

RECOMMENDED INSTALLATION: DAMPER AXIS PARALLEL TO AIR FLOW.