



6390 Philips Highway
Jacksonville, FL 32216
Phone (904) 737-7144

SPECIFICATION DATA SHEET

Date: 06/08/20 rev.

Drawn by: B.H.C.

MODEL No. 624-FL-DSO

TWIST LOCK COLLAR FOR 1 1/2" DUCT BOARD
WITH MANUAL VOLUME DAMPER
AND 2" DAMPER HANDLE STANDOFF

DIMENSIONAL DATA

SIZES AVAILABLE: 4" THROUGH 20" DIAMETER
COLLAR LENGTH = 4 3/4" LONG

FABRICATION DATA

MATERIAL:
FABRICATED FROM HOT DIPPED GALVANIZED
STEEL SHEET OF LOCK-FORMING QUALITY
PER ASTM-A653 CS TYPE B.

ALL DIAMETERS = 30 GAUGE

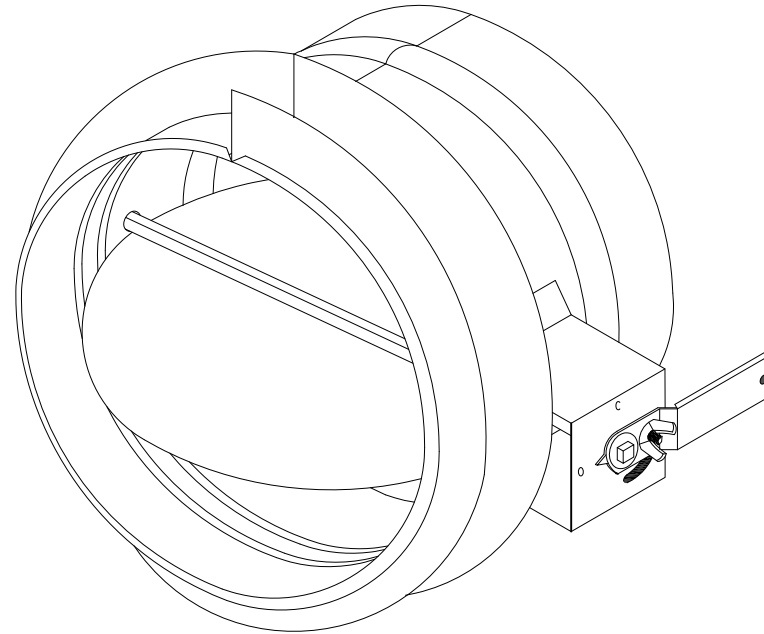
FEATURES

CONVEX BEAD FOR FLEX DUCT CONNECTION.

DESIGNED FOR 1-1/2" DUCT BOARD.

MANUAL VOLUME DAMPER WITH 1/4" CONTINUOUS
ROD DAMPER AXIS WITH LOCKING REGULATOR,
GROMMETS INSTALLED AT THE COLLAR
PENETRATIONS.

2" DAMPER HANDLE STANDOFF.



OPTIONS

SPECIAL NOTES

RECOMMENDED INSTALLATION: DAMPER AXIS PARALLEL TO AIR FLOW.