



6390 Philips Highway
Jacksonville, FL 32216
Phone (904) 737-7144

SPECIFICATION DATA SHEET

Date: 06/03/20 rev.

Drawn by: M.D.C.

MODEL No. 600

2-WAY ADJUSTABLE AIR HANDLER STAND

****NEW DESIGN****

DIMENSIONAL DATA

HEIGHT: 18"
WIDTH: 14" - 25" (ADJUSTABLE)
DEPTH: 17" - 29" (ADJUSTABLE)

FABRICATION DATA

WELDED TUBE CONSTRUCTION.

POWDER-COATED PAINT FOR SUPERIOR RUST RESISTANCE.

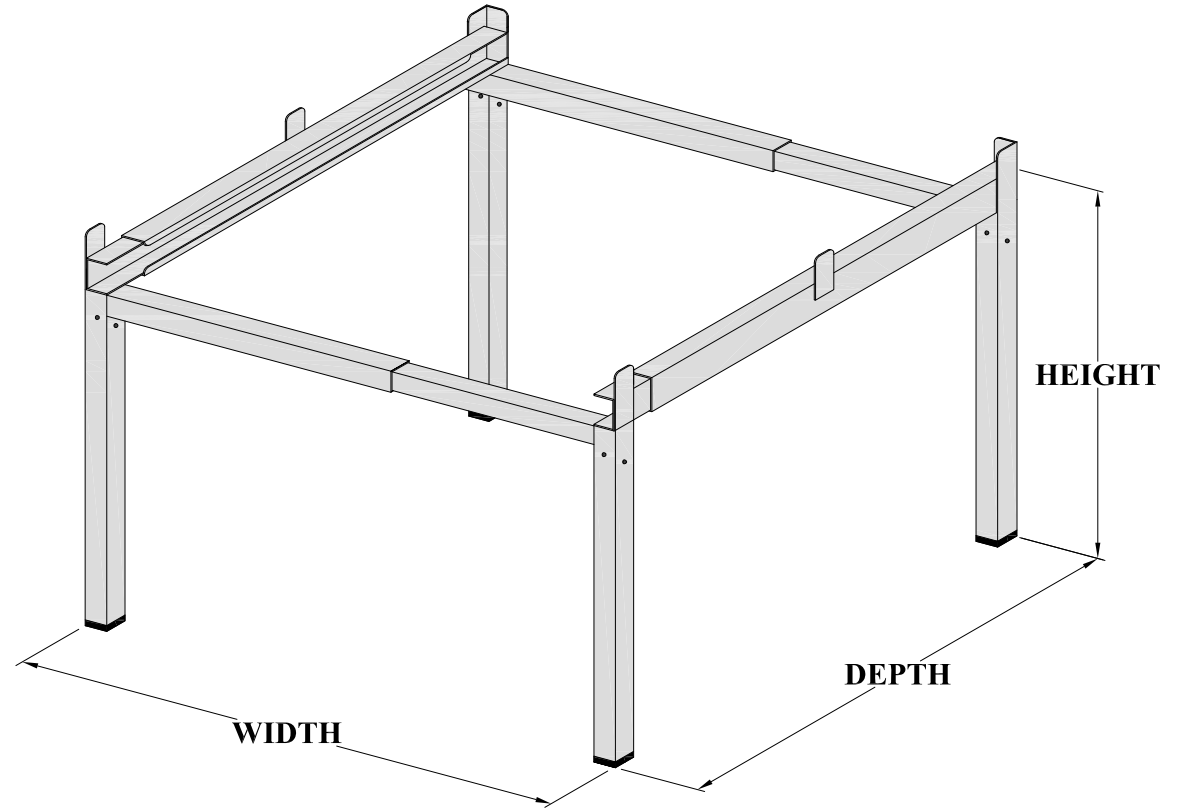
FEATURES

1" FILTER CHANNEL WITH FILTER STOP.

FOAM GASKET STRIPS (FIELD INSTALLED)
FOR VIBRATION REDUCTION.

SHIPPED KNOCKED DOWN FLAT IN BOX FOR
EASY STORAGE.

ASSEMBLY HARDWARE INCLUDED.



OPTIONS

No. 500 ADJUSTABLE AIR HANDLER STAND

SPECIAL NOTES