



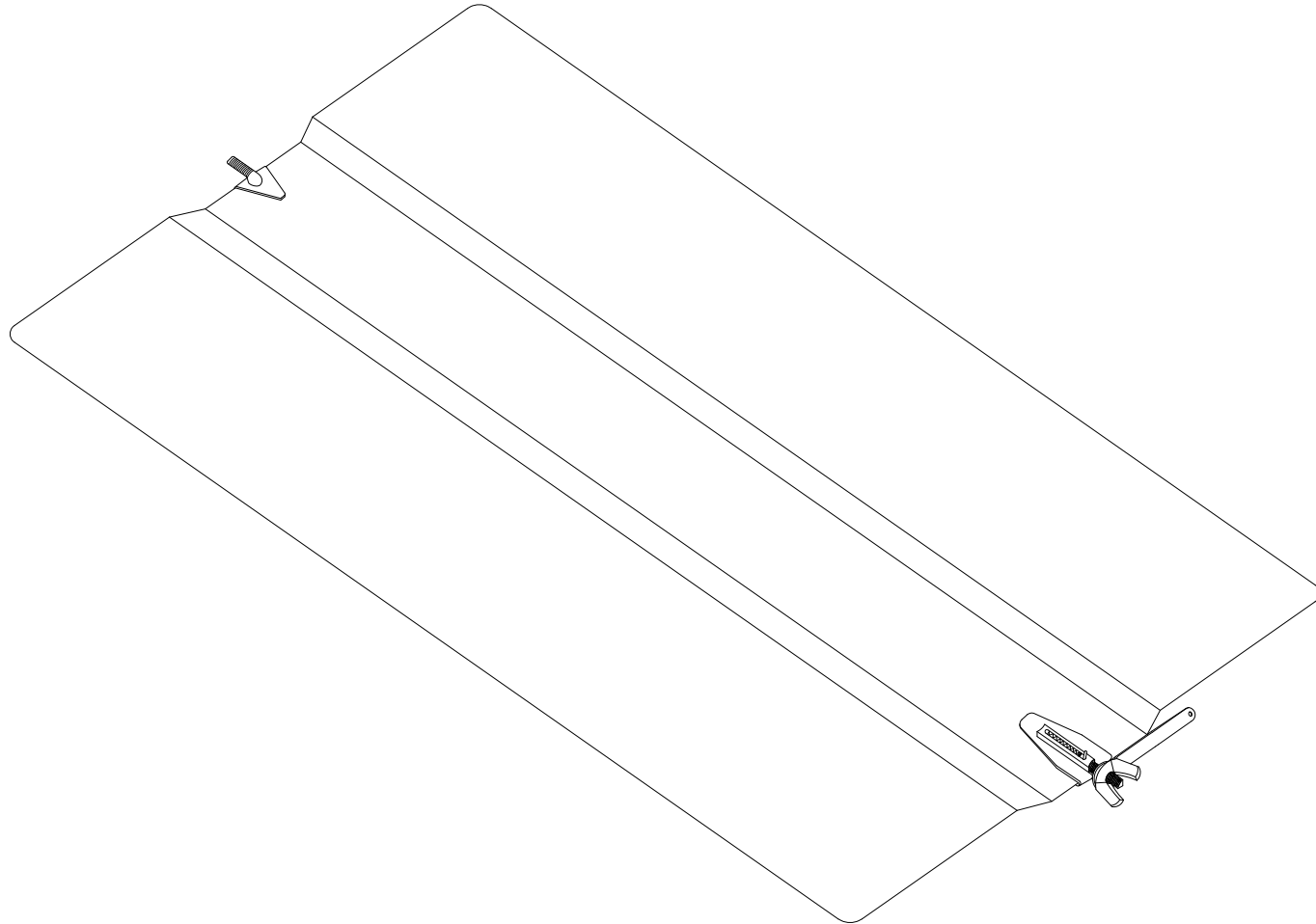
6390 Philips Highway  
Jacksonville, FL 32216  
Phone (904) 737-7144

# SHOP DRAWING

Date: 02/15/17

Drawn by: M.D.C.

# No. 422 MANUAL VOLUME DAMPER



N.T.S.