



6390 Philips Highway  
Jacksonville, FL 32216  
Phone (904) 737-7144

## SPECIFICATION DATA SHEET

Date: 08/28/19 rev.

Drawn by: M.D.C.

# MODEL No. 3726-S

SPIN-IN COLLAR  
with SCOOP & DAMPER  
and DAMPER HANDLE STANDOFF

### DIMENSIONAL DATA

SIZES AVAILABLE: 4" THROUGH 20" DIAMETER

COLLAR LENGTH: 7"

ACTUAL COLLAR DIAMETER UNDERSIZED 1/8"

### FABRICATION DATA

MATERIAL:  
GALVANIZED STEEL SHEET PER ASTM A653 CS,  
TYPE B.

GAUGES:  
4" THROUGH 14" = 28 GAUGE  
16" THROUGH 18" = 26 GAUGE  
20" = 24 GAUGE

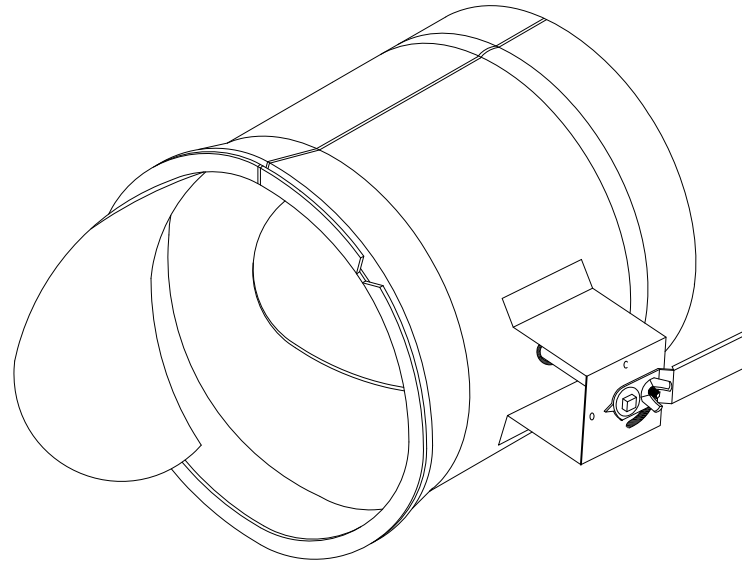
### FEATURES

CONTINUOUS WELD LONGITUDINAL SEAM FOR  
NO AIR LEAKAGE @ 2" W.G. STATIC PRESSURE.

MANUAL VOLUME DAMPER WITH 1/4" CONTINUOUS  
ROD DAMPER AXIS WITH LOCKING REGULATOR,  
GROMMETS INSTALLED AT THE COLLAR  
PENETRATIONS.

2" DAMPER HANDLE STANDOFF.

SCOOP PENETRATES INTO TRUNK DUCT  
AIR STREAM.



### OPTIONS

### SPECIAL NOTES

RECOMMENDED INSTALLATION: DAMPER AXIS PARALLEL TO AIR FLOW.