



6390 Philips Highway
Jacksonville, FL 32216
Phone (904) 737-7144

SPECIFICATION DATA SHEET

MODEL No. 3724

SPIN-IN COLLAR with DAMPER

Date: 03/07/19 rev.

Drawn by: M.D.C.

TBC

DIMENSIONAL DATA

SIZES AVAILABLE: 4" THROUGH 20" DIAMETER

COLLAR LENGTH: 7"

ACTUAL COLLAR DIAMETER UNDERSIZED 1/8"

FABRICATION DATA

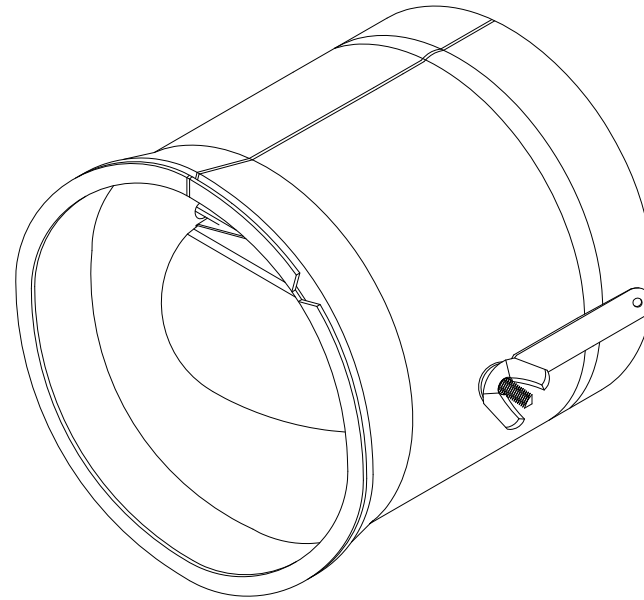
MATERIAL:
GALVANIZED STEEL SHEET PER ASTM A653 CS,
TYPE B.

GAUGES:
4" THROUGH 14" = 28 GAUGE
16" THROUGH 18" = 26 GAUGE
20" = 24 GAUGE

FEATURES

CONTINUOUS WELD LONGITUDINAL SEAM FOR
NO AIR LEAKAGE @ 2" W.G. STATIC PRESSURE.

MANUAL VOLUME DAMPER, REINFORCED
DAMPER AXIS WITH 1/4" REGULATOR.



OPTIONS

SPECIAL NOTES

RECOMMENDED INSTALLATION: DAMPER AXIS PARALLEL TO AIR FLOW.