



6390 Philips Highway
Jacksonville, FL 32216
Phone (904) 737-7144

SPECIFICATION DATA SHEET

MODEL No. 3724-S

SPIN-IN COLLAR with DAMPER and DAMPER HANDLE STANDOFF

TBC

Date: 09/05/19 rev.

Drawn by: M.D.C.

DIMENSIONAL DATA

SIZES AVAILABLE: 4" THROUGH 20" DIAMETER

COLLAR LENGTH: 7"

ACTUAL COLLAR DIAMETER UNDERSIZED 1/8"

FABRICATION DATA

MATERIAL:
GALVANIZED STEEL SHEET PER ASTM A653 CS,
TYPE B.

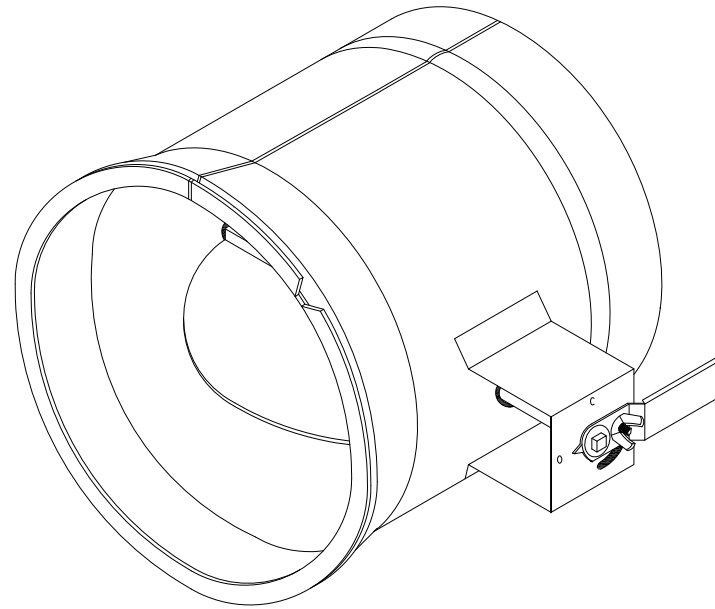
GAUGES:
4" THROUGH 14" = 28 GAUGE
16" THROUGH 18" = 26 GAUGE
20" = 24 GAUGE

FEATURES

CONTINUOUS WELD LONGITUDINAL SEAM FOR
NO AIR LEAKAGE @ 2" W.G. STATIC PRESSURE.

MANUAL VOLUME DAMPER WITH 1/4" CONTINUOUS
ROD DAMPER AXIS WITH LOCKING REGULATOR,
GROMMETS INSTALLED AT THE COLLAR
PENETRATIONS.

2" DAMPER HANDLE STANDOFF.



OPTIONS

SPECIAL NOTES

RECOMMENDED INSTALLATION: DAMPER AXIS PARALLEL TO AIR FLOW.