



6390 Philips Highway  
 Jacksonville, FL 32216  
 Phone (904) 737-7144

**SPECIFICATION DATA SHEET**

**MODEL No. 3720-DSS**

**SPIN IN WITH MANUAL VOLUME DAMPER,  
 DAMPER HANDLE STANDOFF AND SCOOP**

Date: 11/11/19 rev.

Drawn by: M.D.C.

**DIMENSIONAL DATA**

SIZES AVAILABLE: 4" THROUGH 20"

COLLAR LENGTH: 6"

**FABRICATION DATA**

MATERIAL:  
 HOT DIPPED GALVANIZED STEEL SHEET  
 PER ASTM-A653 CS TYPE B.

SIZE	BODY	DAMPER BLADE
4" - 8"	28 GA.	24 GA.
9" - 14"	26 GA.	24 GA.
16" - 20"	24 GA.	22 GA.

**FEATURES**

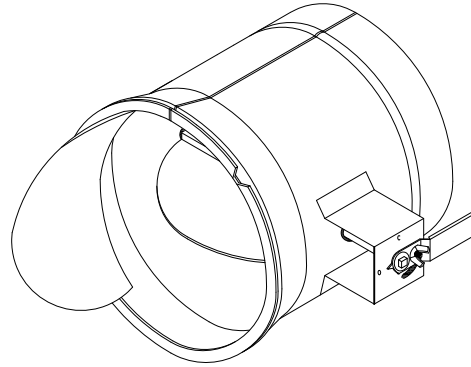
FABRICATED WITH CONTINUOUS WELD  
 LONGITUDINAL SEAM FOR NO AIR LEAKAGE  
 AT 2" W.G. STATIC PRESSURE.

SIZES 4" THROUGH 12" HAVE MANUAL VOLUME  
 DAMPER WITH 1/4" CONTINUOUS ROD DAMPER  
 AXIS WITH LOCKING REGULATOR, GROMMETS  
 INSTALLED AT THE COLLAR PENETRATIONS.

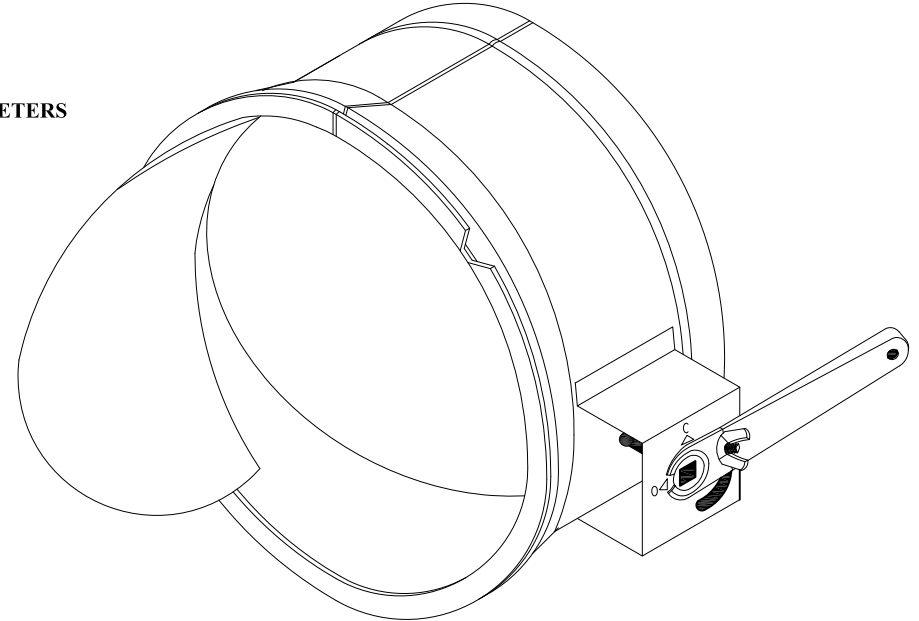
SIZES 14" THROUGH 20" HAVE A 3/8" CONTINUOUS  
 ROD DAMPER AXIS WITH NYLON GROMMETS  
 INSTALLED AT COLLAR PENETRATIONS.

2" DAMPER HANDLE STANDOFF TO ALLOW  
 CLEARANCE FOR EXTERNAL INSULATION.

SCOOP PENETRATES INTO TRUNK DUCT AIR  
 STREAM.



**CONFIGURATION OF  
 4" THROUGH 12" DIAMETERS**



**CONFIGURATION OF  
 14" THROUGH 20" DIAMETERS**

**OPTIONS**

**SPECIAL NOTES**

RECOMMENDED INSTALLATION: DAMPER AXIS PARALLEL TO AIR FLOW.

MADE TO MEET S.M.A.C.N.A. GAUGE STANDARDS. MAXIMUM 10" W.G. STATIC PRESSURE SCHEDULE.  
 (S.M.A.C.N.A. HVAC DUCT CONSTRUCTION STANDARDS, THIRD EDITION-2005)