



6390 Philips Highway  
Jacksonville, FL 32216  
Phone (904) 737-7144

## SPECIFICATION DATA SHEET

Date: 04/01/19

Drawn by: M.D.C.

# MODEL No. 3711-DS2

SIZES 4" - 12" DIAMETERS  
STRAIGHT TAKEOFF with GASKET FLANGE,  
MANUAL VOLUME DAMPER with HANDLE STANDOFF,  
SOLID ROD DAMPER AXIS

### DIMENSIONAL DATA

SIZES AVAILABLE: 4" THROUGH 12" DIAMETER  
COLLAR LENGTH 6" ALL SIZES

### FABRICATION DATA

MATERIAL:  
HOT DIPPED GALVANIZED STEEL SHEET  
PER ASTM-A653 CS TYPE B.

SIZE	BODY	DAMPER BLADE
4" - 8"	28 GA.	24 GA.
9" - 12"	26 GA.	24 GA.

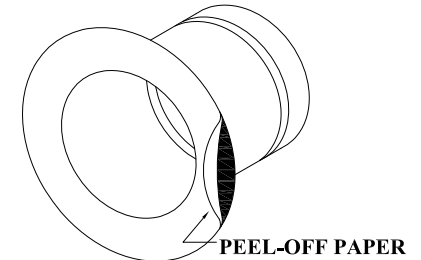
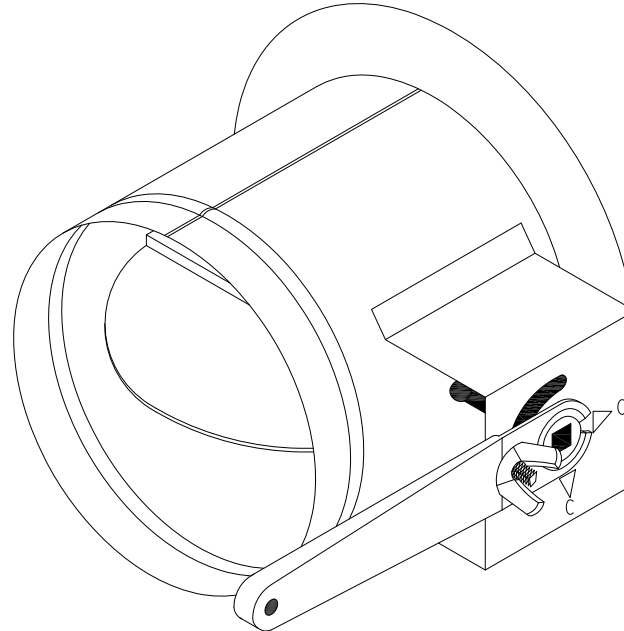
### AIR FLOW CHARACTERISTICS

BASED ON 700 F/M VELOCITY IN MAIN DUCT, 600 F/M VELOCITY IN BRANCH DUCT. DESIGN FRICTION LOSS OF .15" W.G. PER 100 FT. OF DUCT. PRESSURE LOSS IN EQUIVALENT FEET OF BRANCH DUCT = 25FT.

### FEATURES

FABRICATED WITH CONTINUOUS WELD LONGITUDINAL SEAM FOR NO AIR LEAKAGE AT 2" W.G. STATIC PRESSURE.

FABRICATED WITH 1 1/2" WIDE GASKETED FLANGE WITH PRE-DRILLED SCREWS HOLES FOR EASE OF INSTALLATION.



MANUAL VOLUME DAMPER NOT SHOWN

### OPTIONS

### SPECIAL NOTES

RECOMMENDED INSTALLATION: DAMPER AXIS PARALLEL TO AIR FLOW.

MADE TO MEET S.M.A.C.N.A. GAUGE STANDARDS. MAXIMUM 10" W.G. STATIC PRESSURE SCHEDULE. (S.M.A.C.N.A. HVAC DUCT CONSTRUCTION STANDARDS, THIRD EDITION - 2005)

ALL SIZES: 3/8"CONTINUOUS ROD DAMPER AXIS WITH LOCKING REGULATOR, NYLON GROMMETS INSTALLED AT THE COLLAR PENETRATIONS, 2" DAMPER HANDLE STANDOFF.