



6390 Philips Highway
Jacksonville, FL 32216
Phone (904) 737-7144

SPECIFICATION DATA SHEET

MODEL No. 3711-DS

STRAIGHT TAKEOFF WITH MANUAL VOLUME DAMPER
WITH DAMPER HANDLE STANDOFF
AND PEEL-OFF PAPER GASKET

Date: 03/29/19

Drawn by: M.D.C.

DIMENSIONAL DATA

SIZES: 4" THROUGH 20" DIAMETER

COLLAR LENGTH 6" - ALL SIZES

FABRICATION DATA

MATERIAL:
HOT DIPPED GALVANIZED STEEL SHEET
PER ASTM-A653 CS TYPE B.

GAUGES:

4" THROUGH 8" = 28 GAUGE

9" THROUGH 14" = 26 GAUGE

16" THROUGH 20" = 24 GAUGE

AIR FLOW CHARACTERISTICS

BASED ON 700 F/M VELOCITY IN MAIN DUCT, 600
F/M VELOCITY IN BRANCH DUCT. DESIGN
FRICTION LOSS OF .15" W.G. PER 100 FT. OF DUCT.
PRESSURE LOSS IN EQUIVALENT FEET OF
BRANCH DUCT = 25FT.

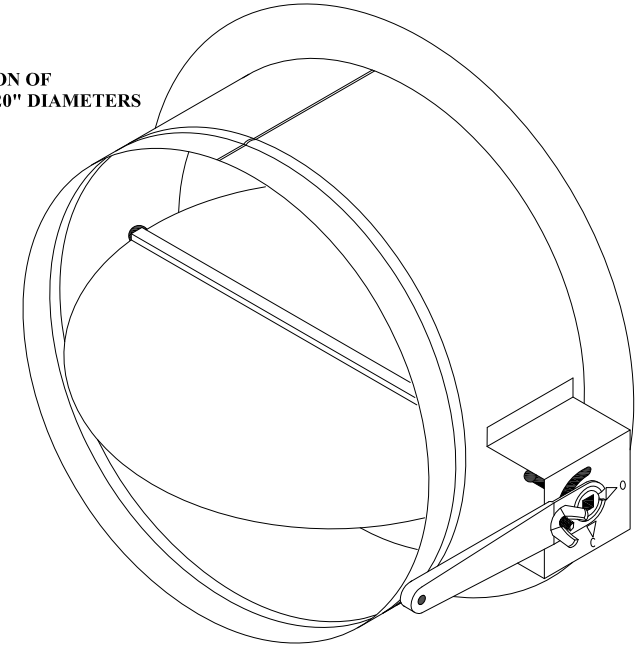
FEATURES

CONTINUOUS WELD LONGITUDINAL SEAM
FOR NO AIR LEAKAGE AT 2" W.G. STATIC
PRESSURE.

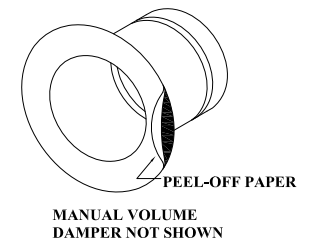
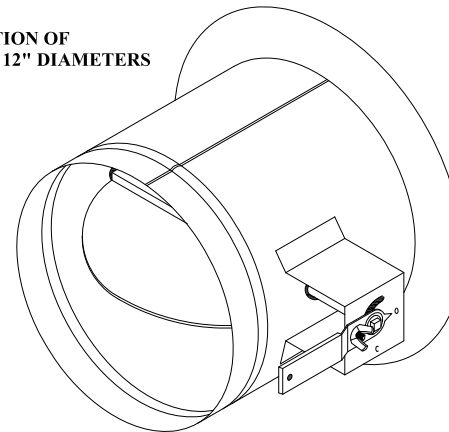
1 1/2" WIDE FLANGE WITH PRE-DRILLED SCREW
HOLES FOR EASE OF INSTALLATION. FLANGE
HAS PEEL-OFF PAPER GASKET.

OPTIONS

CONFIGURATION OF
14" THROUGH 20" DIAMETERS



CONFIGURATION OF
4" THROUGH 12" DIAMETERS



SPECIAL NOTES

RECOMMENDED INSTALLATION: DAMPER AXIS PARALLEL TO AIR FLOW.

MADE TO MEET S.M.A.C.N.A. GAUGE STANDARDS. MAXIMUM 10" W.G. STATIC PRESSURE SCHEDULE.
(S.M.A.C.N.A. HVAC DUCT CONSTRUCTION STANDARDS, THIRD EDITION - 2005)

SIZES 4" THROUGH 12": 1/4" CONTINUOUS ROD DAMPER AXIS WITH LOCKING REGULATOR,
GROMMETS INSTALLED AT THE COLLAR PENETRATIONS.

SIZES 14" THROUGH 20": 3/8" CONTINUOUS ROD DAMPER AXIS WITH LOCKING REGULATOR, NYLON
GROMMETS INSTALLED AT THE COLLAR PENETRATIONS.