



6390 Philips Highway  
Jacksonville, FL 32216  
Phone (904) 737-7144

## SPECIFICATION DATA SHEET

Date: 04/19/23 rev.

Drawn by: J.E.P.

## MODEL No. 358

ROOF CAP with 8" THROAT  
and ROUND COLLAR IN PLATE

### DIMENSIONAL DATA

SIZE	3"	4"	5"	6"	7"	10"
"A"	6"	6"	8"	8"	8"	11"
"B"	6"	6"	8"	8"	8"	11"
"C"	8"	8"	8"	8"	8"	8"
"D"	12"	12"	14"	14"	14"	17"
"E"	12"	12"	14"	14"	14"	17"
"F"	4-1/2"	4-1/2"	5"	5"	5"	7"
"G"	2-1/2"	2-1/2"	4"	4"	4"	4"

SPECIAL THROAT HEIGHT: 8"

### FABRICATION DATA

MATERIAL: 28 GAUGE GALVANIZED STEEL SHEET.

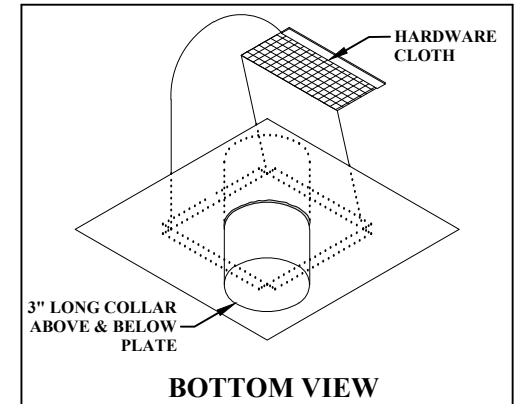
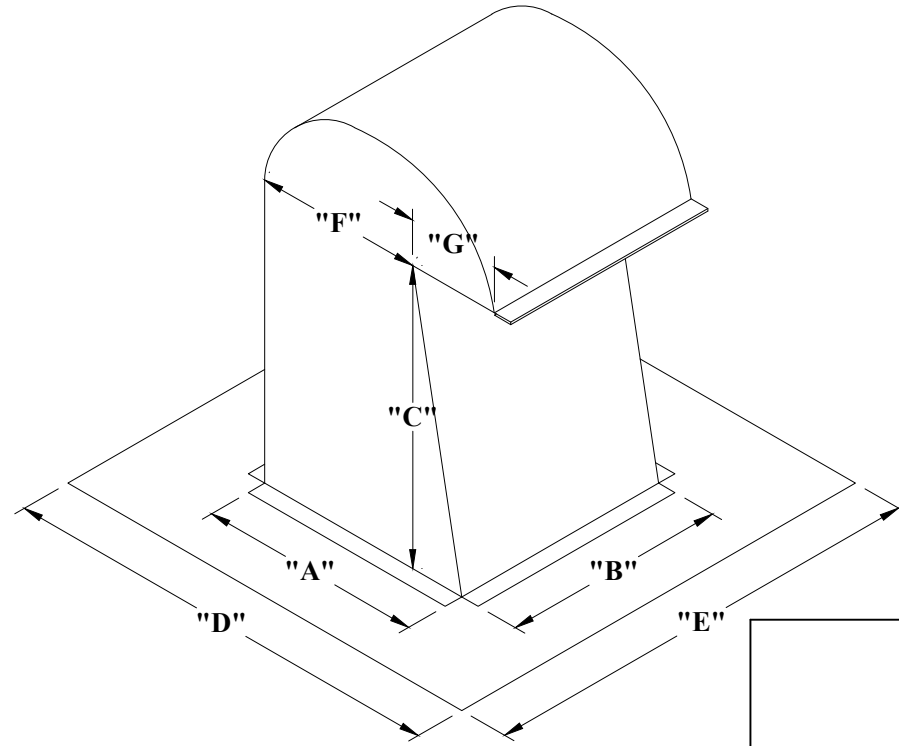
### FEATURES

1/2" GALVANIZED STEEL HARDWARE CLOTH INSTALLED IN EXHAUST OPENING.

ROUND COLLAR INSTALLED IN BOTTOM PLATE.

ROUND COLLAR IN BOTTOM PLATE SEALED WITH SILICONE SEALANT.

ROOF CAP SEALED TO BOTTOM PLATE WITH SILICONE SEALANT.



### OPTIONS

### SPECIAL NOTES

WE DO NOT WARRANT THESE ROOF MOUNTED FITTINGS TO BE LEAK-PROOF AGAINST ALL WEATHER CONDITIONS.

WE DO NOT GUARANTEE THE FITTINGS WILL PREVENT RAIN WATER INTRUSION FROM WIND BLOWN RAIN OR TORRENTIAL STORM CONDITIONS.

ADDITIONAL SEALING MIGHT BE NECESSARY AT THE DISCRETION OF THE INSTALLER.