



6390 Philips Highway  
 Jacksonville, FL 32216  
 Phone (904) 737-7144

**SPECIFICATION DATA SHEET**

**MODEL No. 358**

**ROOF CAP with 8" THROAT  
 and ROUND COLLAR IN PLATE**

Date: 12/06/06 rev.

Drawn by: M.D.C.

**DIMENSIONAL DATA**

SIZE	3"	4"	5"	6"	7"	10"
"A"	6"	6"	8"	8"	8"	11"
"B"	6"	6"	8"	8"	8"	11"
"C"	8"	8"	8"	8"	8"	8"
"D"	12"	12"	14"	14"	14"	17"
"E"	12"	12"	14"	14"	14"	17"
"F"	4-1/2"	4-1/2"	5"	5"	5"	7"
"G"	2-1/2"	2-1/2"	4"	4"	4"	4"

SPECIAL THROAT HEIGHT: 8"

**FABRICATION DATA**

MATERIAL: 28 GAUGE GALVANIZED STEEL SHEET.

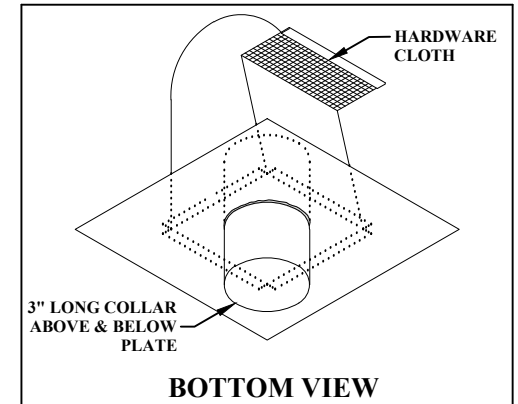
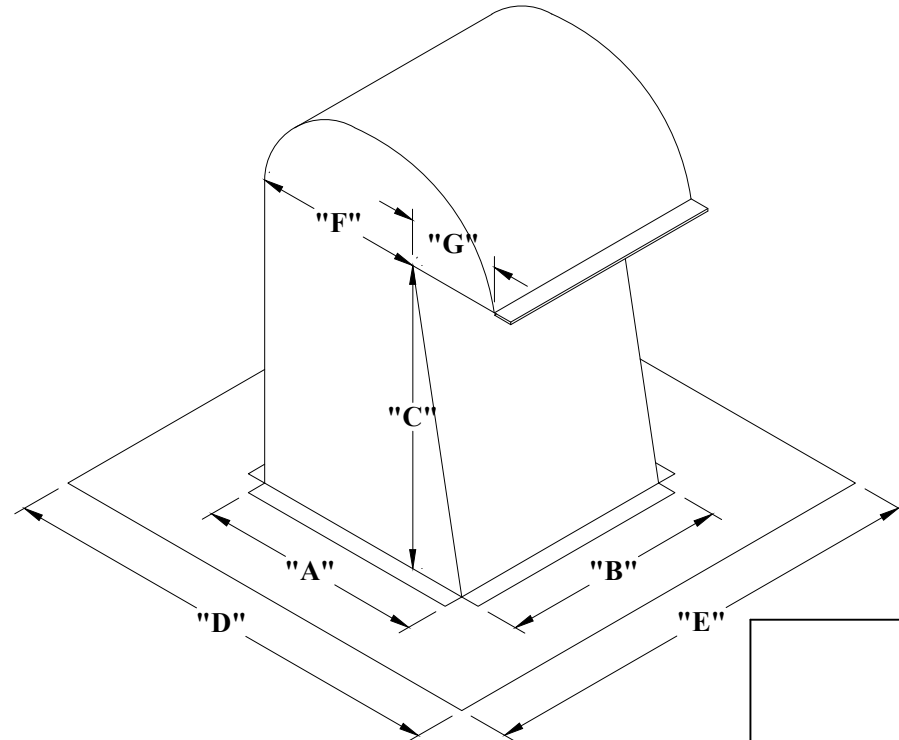
**FEATURES**

1/4" GALVANIZED STEEL HARDWARE CLOTH INSTALLED IN EXHAUST OPENING.

ROUND COLLAR INSTALLED IN BOTTOM PLATE.

ROUND COLLAR IN BOTTOM PLATE SEALED WITH SILICONE SEALANT.

ROOF CAP SEALED TO BOTTOM PLATE WITH SILICONE SEALANT.



**OPTIONS**

**SPECIAL NOTES**

WE DO NOT WARRANT THESE ROOF MOUNTED FITTINGS TO BE LEAK-PROOF AGAINST ALL WEATHER CONDITIONS.

WE DO NOT GUARANTEE THE FITTINGS WILL PREVENT RAIN WATER INTRUSION FROM WIND BLOWN RAIN OR TORRENTIAL STORM CONDITIONS.

ADDITIONAL SEALING MIGHT BE NECESSARY AT THE DISCRETION OF THE INSTALLER.