



6390 Phillips Highway
 Jacksonville, FL 32216
 Phone (904) 737-7144

SPECIFICATION DATA SHEET

MODEL No. 358 - D

**ROOF CAP with 8" THROAT,
 ROUND COLLAR IN PLATE and BACK DRAFT DAMPER**

Date: 12/06/06 rev.

Drawn by: M.D.C.

DIMENSIONAL DATA

SIZE	3"	4"	5"	6"	7"	10"
"A"	6"	6"	8"	8"	8"	11"
"B"	6"	6"	8"	8"	8"	11"
"C"	8"	8"	8"	8"	8"	8"
"D"	12"	12"	14"	14"	14"	17"
"E"	12"	12"	14"	14"	14"	17"
"F"	4-1/2"	4-1/2"	5"	5"	5"	7"
"G"	2-1/2"	2-1/2"	4"	4"	4"	4"

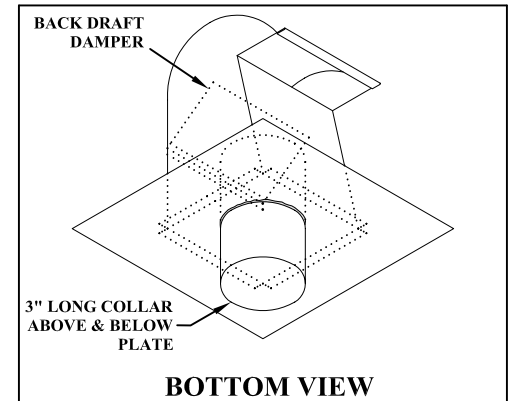
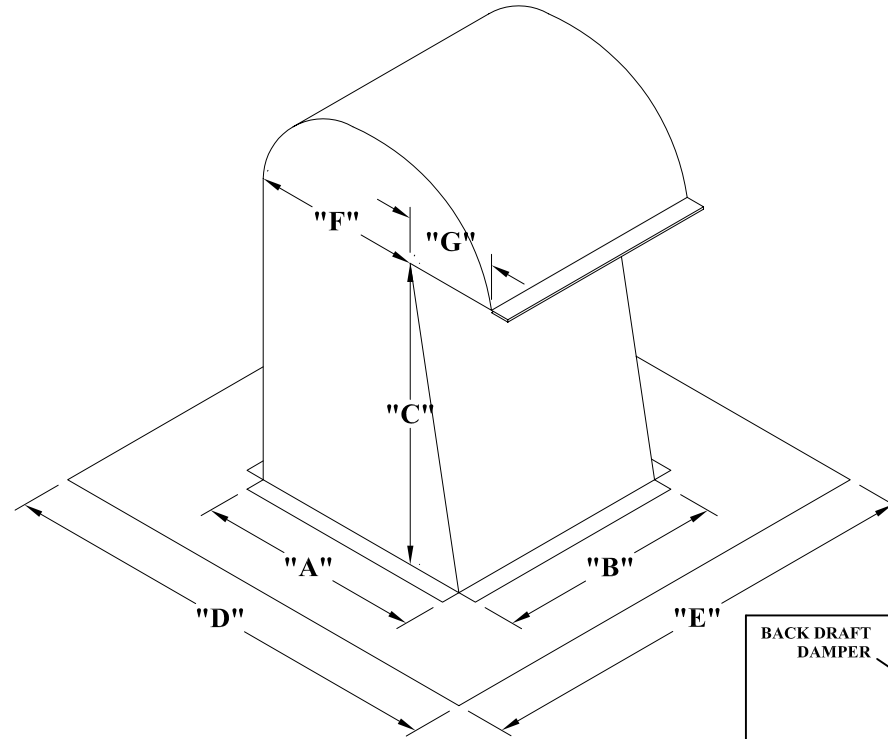
SPECIAL THROAT HEIGHT: 8"

FABRICATION DATA

MATERIAL: 28 GAUGE GALVANIZED STEEL SHEET.

FEATURES

- HINGED LIGHT GAUGE GALVANIZED STEEL BACK DRAFT DAMPER.
- ROUND COLLAR INSTALLED IN BOTTOM PLATE.
- ROUND COLLAR IN BOTTOM PLATE SEALED WITH SILICONE SEALANT.
- ROOF CAP SEALED TO BOTTOM PLATE WITH SILICONE SEALANT.



OPTIONS

SPECIAL NOTES

WE DO NOT WARRANT THESE ROOF MOUNTED FITTINGS TO BE LEAK-PROOF AGAINST ALL WEATHER CONDITIONS.

WE DO NOT GUARANTEE THE FITTINGS WILL PREVENT RAIN WATER INTRUSION FROM WIND BLOWN RAIN OR TORRENTIAL STORM CONDITIONS.

ADDITIONAL SEALING MIGHT BE NECESSARY AT THE DISCRETION OF THE INSTALLER.