



6390 Philips Highway
 Jacksonville, FL 32216
 Phone (904) 737-7144

SPECIFICATION DATA SHEET

Date: 09/08/15

Drawn by: M.D.C.

MODEL No. 353-C
ROOF JACK for REFRIGERANT LINES
 with CURB COVER

DIMENSIONAL DATA

SIZES AVAILABLE	"A"	"C"	"D"
4" x 4"	4"	3"	8 1/4"
6" x 6"	6"	3"	10 1/4"
8" x 8"	8"	5"	12 1/4"
10" x 10"	10"	5"	14 1/4"

8" OR 12" THROAT HEIGHT "B" AVAILABLE IN ALL SIZES.

FABRICATION DATA

FABRICATED FROM HOT DIPPED GALVANIZED STEEL SHEET OF LOCK FORMING QUALITY PER ASTM-A653 CS TYPE B.

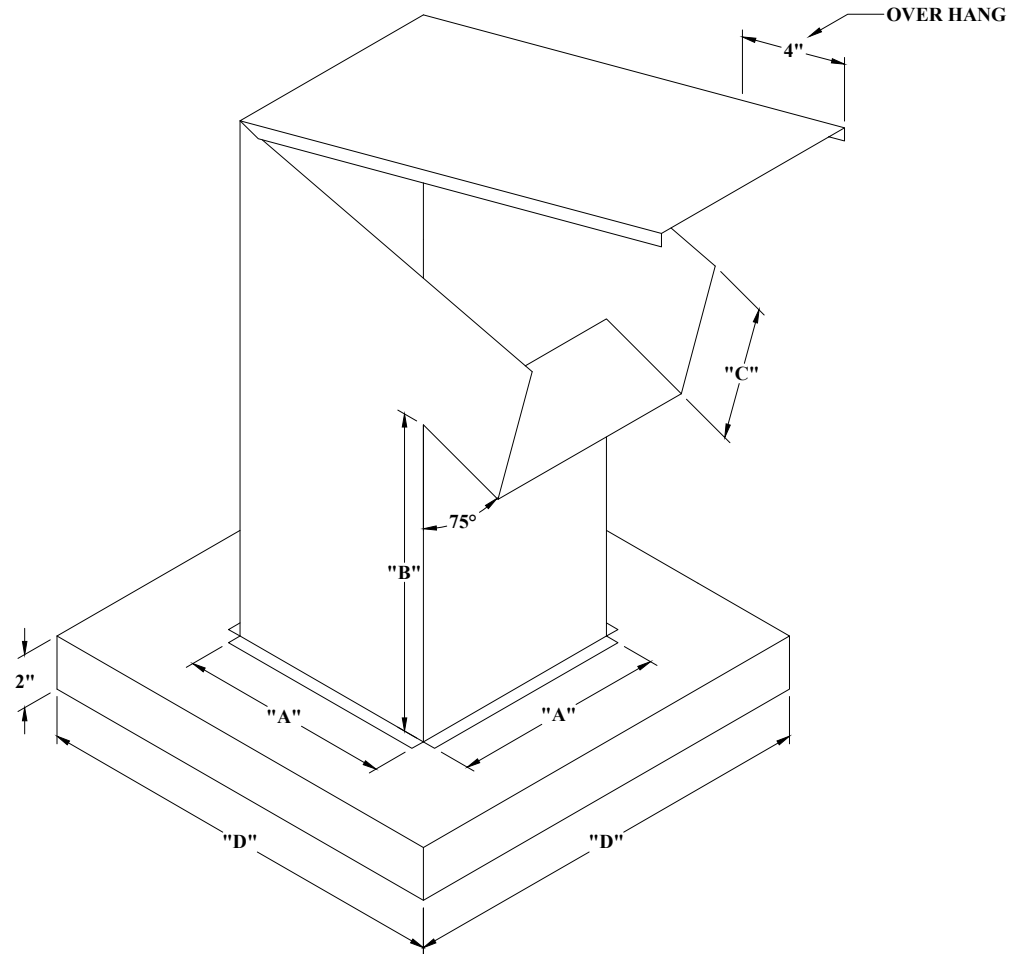
- 4" x 4" = 26 GAUGE
- 6" x 6" = 26 GAUGE
- 8" x 8" = 26 GAUGE
- 10" x 10" = 26 GAUGE

FEATURES

SEAMS SEALED WITH SILICONE SEALANT.

"FLIP TOP" DESIGNED TO EASE INSTALLATION OF REFRIGERANT LINES.

BOTTOM PLATE ADAPTED AS CURB COVER.



OPTIONS

SPECIAL NOTES

WE DO NOT WARRANT THESE ROOF MOUNTED FITTINGS TO BE LEAK-PROOF AGAINST ALL WEATHER CONDITIONS.

WE DO NOT GUARANTEE THE FITTINGS WILL PREVENT RAIN WATER INTRUSION FROM WIND BLOWN RAIN OR TORRENTIAL STORM CONDITIONS.

ADDITIONAL SEALING MIGHT BE NECESSARY AT THE DISCRETION OF THE INSTALLER.