



6390 Phillips Highway  
 Jacksonville, FL 32216  
 Phone (904) 737-7144

**SPECIFICATION DATA SHEET**

**MODEL No. 350**

**ROOF CAP  
 with ROUND COLLAR IN PLATE**

Date: 12/31/19 rev.

Drawn by: M.D.C.

**DIMENSIONAL DATA**

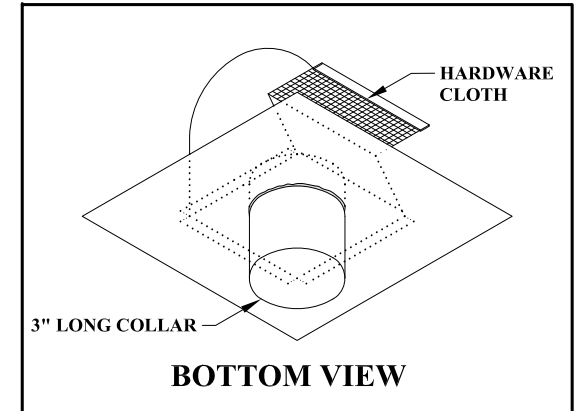
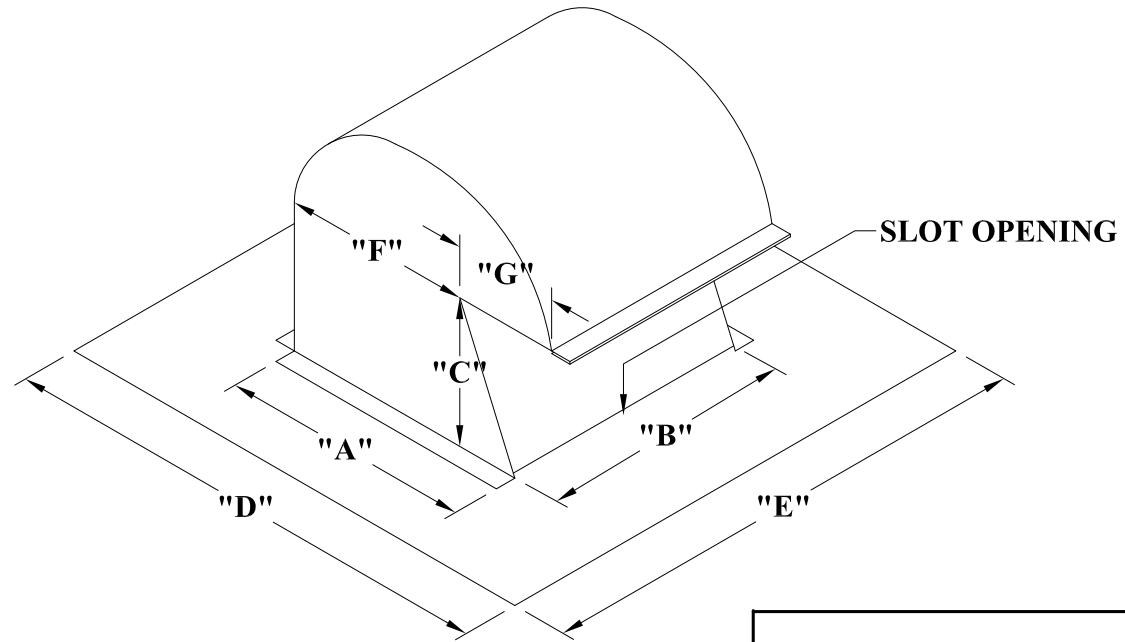
SIZE	3"	4"	5"	6"	7"	10"
"A"	6"	6"	8"	8"	8"	11"
"B"	6"	6"	8"	8"	8"	11"
"C"	3-1/2"	3-1/2"	5"	5"	5"	5"
"D"	12"	12"	14"	14"	14"	17"
"E"	12"	12"	14"	14"	14"	17"
"F"	4-1/2"	4-1/2"	5"	5"	5"	7"
"G"	2-1/2"	2-1/2"	4"	4"	4"	4"

**FABRICATION DATA**

MATERIAL: 26 GAUGE GALVANIZED STEEL SHEET.

**FEATURES**

- 1/4" GALVANIZED STEEL HARDWARE CLOTH INSTALLED IN EXHAUST OPENING.
- ROUND COLLAR INSTALLED IN BOTTOM PLATE.
- ROUND COLLAR IS SEALED ON TOP SIDE OF OF PLATE WITH SILICONE SEALANT.
- SLOT OPENING FOR WATER DRAINAGE.



**OPTIONS**

- AVAILABLE IN .025" THICK ALUMINUM 3003-H14 ALLOY.
- AVAILABLE IN .018" THICK STAINLESS STEEL TYPE 304-2B. STAINLESS STEEL SCREEN UPON REQUEST.

**SPECIAL NOTES**

- WE DO NOT WARRANT THESE ROOF MOUNTED FITTINGS TO BE LEAK-PROOF AGAINST ALL WEATHER CONDITIONS.
- WE DO NOT GUARANTEE THE FITTINGS WILL PREVENT RAIN WATER INTRUSION FROM WIND BLOWN RAIN OR TORRENTIAL STORM CONDITIONS.
- ADDITIONAL SEALING MIGHT BE NECESSARY AT THE DISCRETION OF THE INSTALLER.