



6390 Phillips Highway
 Jacksonville, FL 32216
 Phone (904) 737-7144

SPECIFICATION DATA SHEET

Date: 11/30/20 rev. Drawn by: J.E.P.

MODEL No. 350-RD

ROOF CAP
 with **RECTANGULAR HOLE IN PLATE**
 and **BACK DRAFT DAMPER**

DIMENSIONAL DATA

SIZE	5" x 5"	11" x 11"
"A"	6"	11"
"B"	5"	11"
"C"	3-1/2"	5"
"D"	12"	17"
"E"	12"	17"
"F"	4-1/2"	7"
"G"	2-1/2"	7-1/2"

FABRICATION DATA

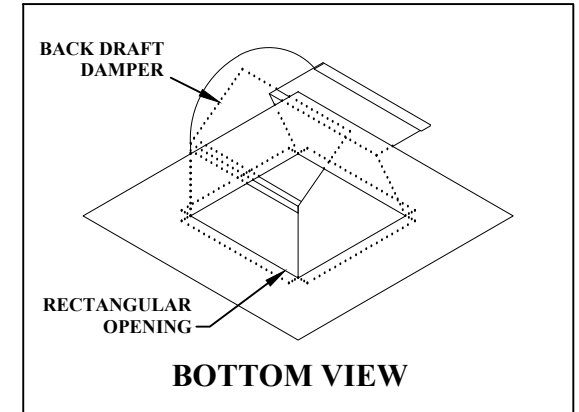
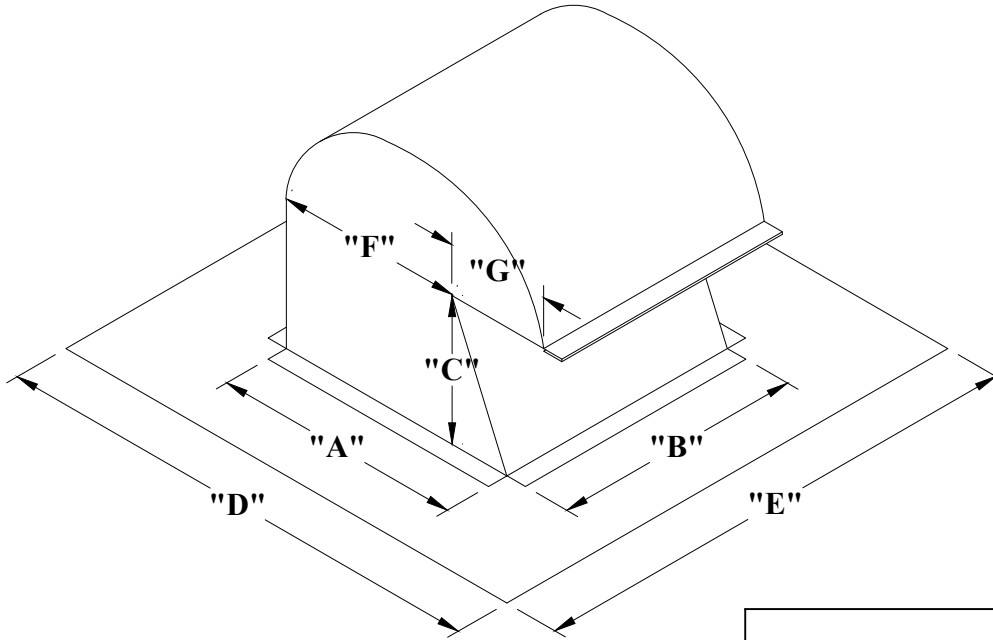
MATERIAL: 26 GAUGE GALVANIZED STEEL SHEET.

FEATURES

HINGED LIGHT GAUGE GALVANIZED STEEL BACK DRAFT DAMPER.

RECTANGULAR OPENING IN BOTTOM PLATE.

ROOF CAP SEALED TO BOTTOM PLATE WITH SILICONE SEALANT.



OPTIONS

SPECIAL NOTES

WE DO NOT WARRANT THESE ROOF MOUNTED FITTINGS TO BE LEAK-PROOF AGAINST ALL WEATHER CONDITIONS.

WE DO NOT GUARANTEE THE FITTINGS WILL PREVENT RAIN WATER INTRUSION FROM WIND BLOWN RAIN OR TORRENTIAL STORM CONDITIONS.

ADDITIONAL SEALING MIGHT BE NECESSARY AT THE DISCRETION OF THE INSTALLER.