



6390 Philips Highway
 Jacksonville, FL 32216
 Phone (904) 737-7144

SPECIFICATION DATA SHEET

Date: 4/18/23 rev. Drawn by: J.E.P.

MODEL No. 350-DS

ROOF CAP
 with BACK DRAFT DAMPER and SCREEN

DIMENSIONAL DATA

SIZE	3"/4"	5"/6"/7"	8"/9"/10"	12"	14"	16"
"A"	6"	8"	11"	13"	15"	17"
"B"	6"	8"	11"	13"	15"	17"
"C"	3-1/2"	5"	5"	7"	8-3/8"	9-1/2"
"D"	12"	14"	17"	19"	21"	23"
"E"	12"	14"	17"	19"	21"	23"
"F"	4-1/2"	5"	7"	5-1/2"	6-1/2"	11"
"G"	2-1/2"	4"	7-1/2"	10"	10-1/4"	9"

FABRICATION DATA

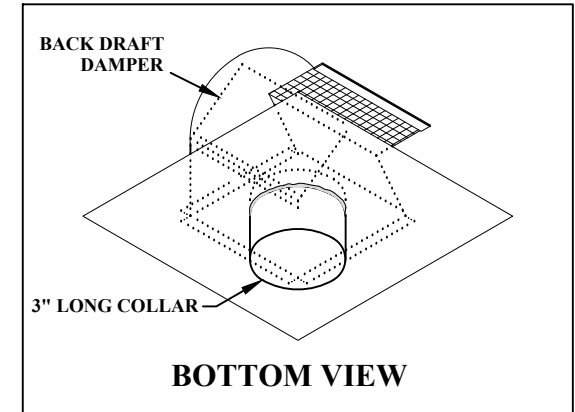
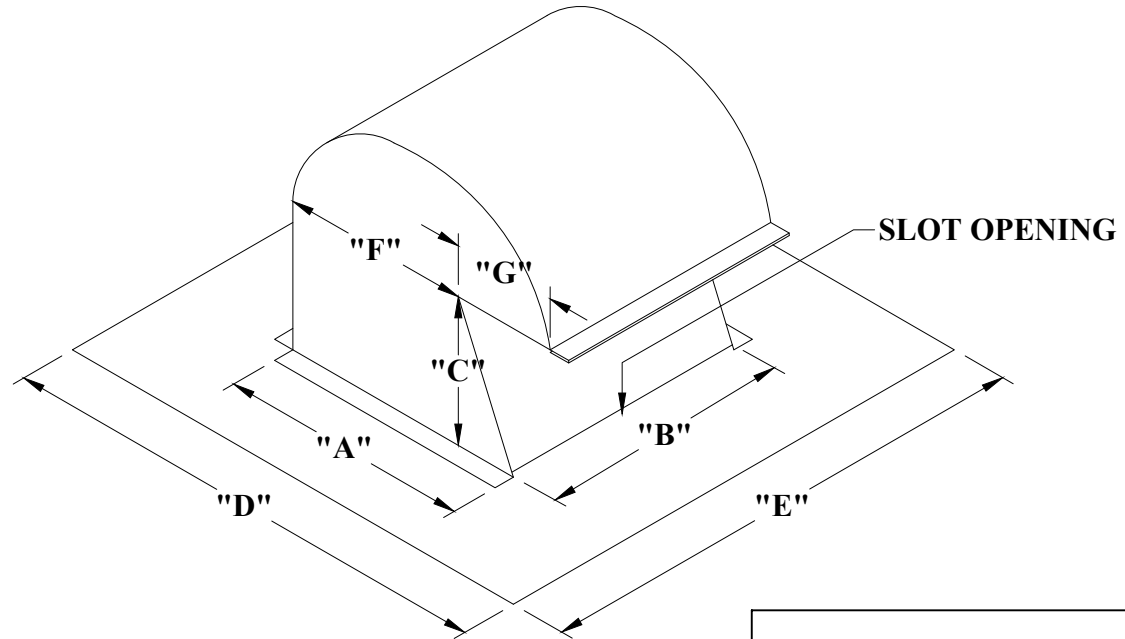
MATERIAL: 26 GAUGE GALVANIZED STEEL SHEET.

FEATURES

- 1/2" GALVANIZED STEEL HARDWARE CLOTH INSTALLED IN EXHAUST OPENING.
- HINGED LIGHT GAUGE GALVANIZED STEEL BACK DRAFT DAMPER.
- ROUND COLLAR INSTALLED IN BOTTOM PLATE.
- ROUND COLLAR IN BOTTOM PLATE SEALED WITH SILICONE SEALANT.
- SLOT OPENING FOR WATER DRAINAGE.

OPTIONS

- AVAILABLE IN .025" THICK ALUMINUM 3003-H14 ALLOY.
- AVAILABLE IN .018" THICK STAINLESS STEEL TYPE 304-2B. STAINLESS STEEL SCREEN UPON REQUEST.



SPECIAL NOTES

- WE DO NOT WARRANT THESE ROOF MOUNTED FITTINGS TO BE LEAK-PROOF AGAINST ALL WEATHER CONDITIONS.
- WE DO NOT GUARANTEE THE FITTINGS WILL PREVENT RAIN WATER INTRUSION FROM WIND BLOWN RAIN OR TORRENTIAL STORM CONDITIONS.
- ADDITIONAL SEALING MIGHT BE NECESSARY AT THE DISCRETION OF THE INSTALLER.