



6390 Phillips Highway
 Jacksonville, FL 32216
 Phone (904) 737-7144

SPECIFICATION DATA SHEET

Date: 11/30/20 rev. Drawn by: J.E.P.

MODEL No. 350-DS

ROOF CAP
 with BACK DRAFT DAMPER and SCREEN

DIMENSIONAL DATA

SIZE	3"	4"	5"	6"	7"	10"
"A"	6"	6"	8"	8"	8"	11"
"B"	6"	6"	8"	8"	8"	11"
"C"	3-1/2"	3-1/2"	5"	5"	5"	5"
"D"	12"	12"	14"	14"	14"	17"
"E"	12"	12"	14"	14"	14"	17"
"F"	4-1/2"	4-1/2"	5"	5"	5"	7"
"G"	2-1/2"	2-1/2"	4"	4"	4"	7-1/2"

FABRICATION DATA

MATERIAL: 26 GAUGE GALVANIZED STEEL SHEET.

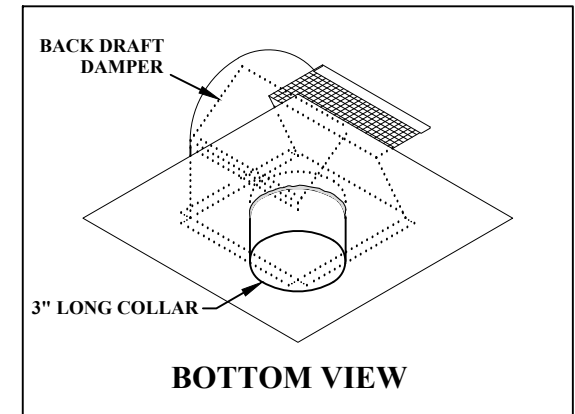
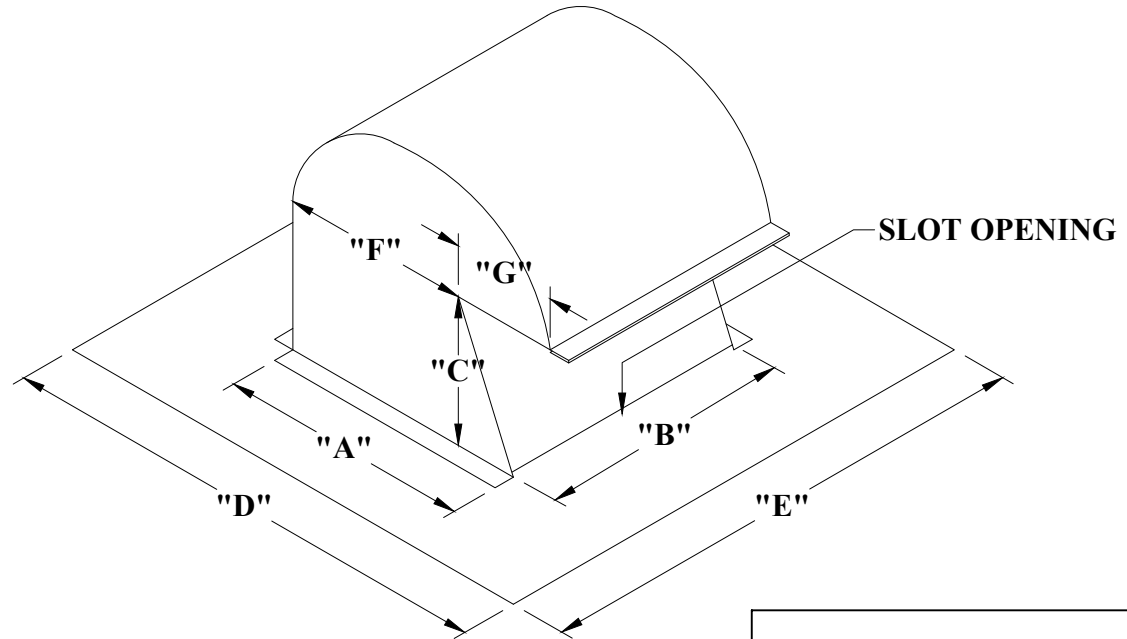
FEATURES

HINGED LIGHT GAUGE GALVANIZED STEEL BACK DRAFT DAMPER.

ROUND COLLAR INSTALLED IN BOTTOM PLATE.

ROUND COLLAR IN BOTTOM PLATE SEALED WITH SILICONE SEALANT.

SLOT OPENING FOR WATER DRAINAGE.



OPTIONS

AVAILABLE IN .025" THICK ALUMINUM 3003-H14 ALLOY.

AVAILABLE IN .018" THICK STAINLESS STEEL TYPE 304-2B. STAINLESS STEEL SCREEN UPON REQUEST.

SPECIAL NOTES

WE DO NOT WARRANT THESE ROOF MOUNTED FITTINGS TO BE LEAK-PROOF AGAINST ALL WEATHER CONDITIONS.

WE DO NOT GUARANTEE THE FITTINGS WILL PREVENT RAIN WATER INTRUSION FROM WIND BLOWN RAIN OR TORRENTIAL STORM CONDITIONS.

ADDITIONAL SEALING MIGHT BE NECESSARY AT THE DISCRETION OF THE INSTALLER.