



6390 Philips Highway
 Jacksonville, FL 32216
 Phone (904) 737-7144

SPECIFICATION DATA SHEET

Date: 11/30/20 rev. Drawn by: J.E.P.

MODEL No. 350 - D

**ROOF CAP
 with BACK DRAFT DAMPER**

DIMENSIONAL DATA

SIZE	3"	4"	5"	6"	7"	10"
"A"	6"	6"	8"	8"	8"	11"
"B"	6"	6"	8"	8"	8"	11"
"C"	3-1/2"	3-1/2"	5"	5"	5"	5"
"D"	12"	12"	14"	14"	14"	17"
"E"	12"	12"	14"	14"	14"	17"
"F"	4-1/2"	4-1/2"	5"	5"	5"	7"
"G"	2-1/2"	2-1/2"	4"	4"	4"	7-1/2"

FABRICATION DATA

MATERIAL: 26 GAUGE GALVANIZED STEEL SHEET.

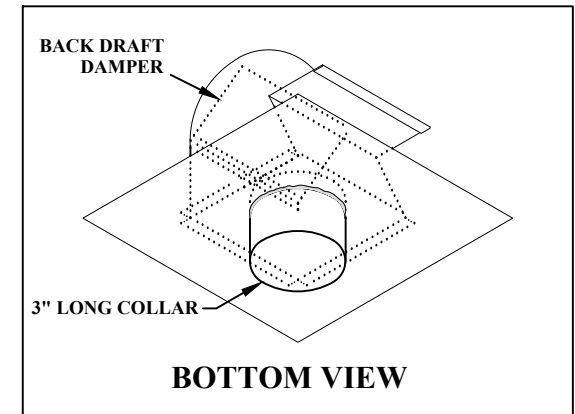
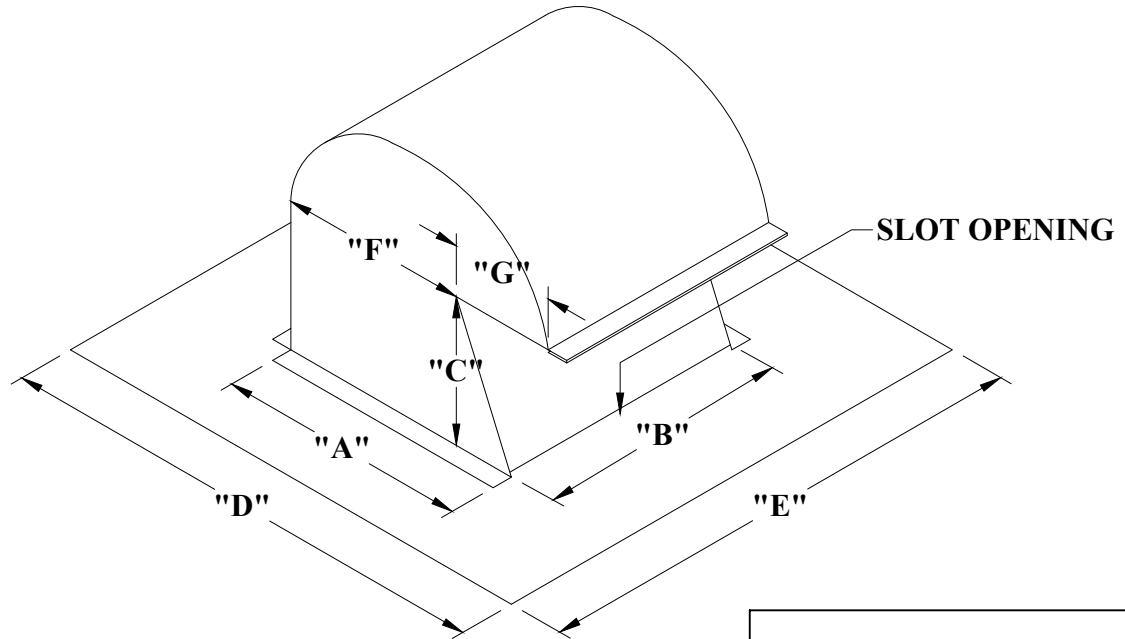
FEATURES

HINGED LIGHT GAUGE GALVANIZED STEEL BACK DRAFT DAMPER.

ROUND COLLAR INSTALLED IN BOTTOM PLATE.

ROUND COLLAR IN BOTTOM PLATE SEALED WITH SILICONE SEALANT.

SLOT OPENING FOR WATER DRAINAGE.



OPTIONS

SPECIAL NOTES

WE DO NOT WARRANT THESE ROOF MOUNTED FITTINGS TO BE LEAK-PROOF AGAINST ALL WEATHER CONDITIONS.

WE DO NOT GUARANTEE THE FITTINGS WILL PREVENT RAIN WATER INTRUSION FROM WIND BLOWN RAIN OR TORRENTIAL STORM CONDITIONS.

ADDITIONAL SEALING MIGHT BE NECESSARY AT THE DISCRETION OF THE INSTALLER.