



6390 Phillips Highway  
 Jacksonville, FL 32216  
 Phone (904) 737-7144

**SPECIFICATION DATA SHEET**

Date: 09/25/20 rev. Drawn by: J.E.P.

**MODEL No. 349**

**SIDEWALL VENT with SCREEN**

**DIMENSIONAL DATA**

PIPE SIZE	DIMENSION		
	A	B	C
3"	4"	6"	7"
4"	4"	6"	7"
5"	4"	8"	9"
6"	4"	8"	9"
7"	6"	10"	11"
8"	6"	10"	11"
9"	6"	10"	11"
10"	8-1/4"	13"	14"
12"	8-1/4"	13"	14"

COLLAR LENGTH = 5-3/4" (ALL SIZES)

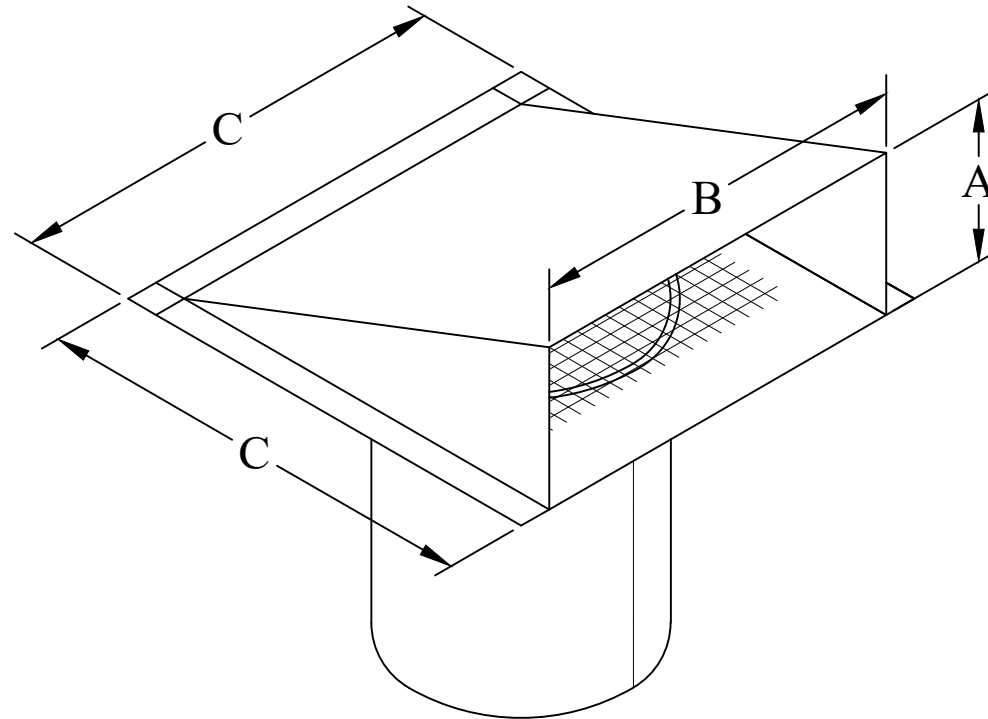
**FABRICATION DATA**

MATERIAL:  
 FABRICATED FROM HOT DIPPED GALVANIZED STEEL SHEETS PER ASTM-A653 CS TYPE B.

GAUGES:  
 3" THROUGH 9" = 28 GAUGE  
 10" THROUGH 12" = 26 GAUGE

**FEATURES**

1/4" HARDWARE CLOTH WELDED OVER HOLE IN PLATE.



**OPTIONS**

AVAILABLE IN .025" THICK ALUMINUM 3003-H14 ALLOY.  
 AVAILABLE IN .018" THICK STAINLESS STEEL TYPE 304-2B.

**SPECIAL NOTES**