



6390 Philips Highway
 Jacksonville, FL 32216
 Phone (904) 737-7144

SPECIFICATION DATA SHEET

MODEL No. 349

ALUMINUM SIDEWALL VENT with SCREEN

Date: 03/03/14 rev.

Drawn by: M.D.C.

DIMENSIONAL DATA

| PIPE SIZE | DIMENSION | | |
|--------------|-----------|-----|-----|
| | A | B | C |
| 3" | 2-1/2" | 6" | 7" |
| 4" | 2-1/2" | 6" | 7" |
| 5" | 4" | 8" | 9" |
| 6" | 4" | 8" | 9" |
| 7" | 6" | 10" | 11" |
| 8" | 6" | 10" | 11" |
| 9" | 6" | 10" | 11" |
| 10" | 8-1/4" | 13" | 14" |
| 12" | 8-1/4" | 13" | 14" |

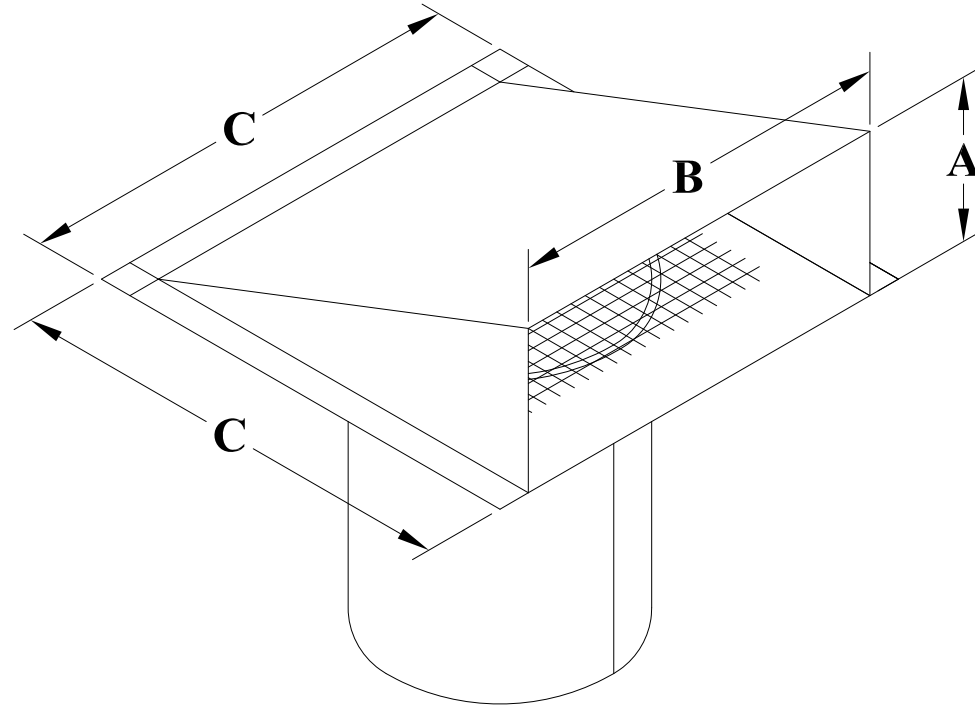
COLLAR LENGTH = 5-3/4" (ALL SIZES)

FABRICATION DATA

MATERIAL:
 .025" THICK ALUMINUM ALLOY 3003 H14
 (.032" THICK ALUMINUM AVAILABLE)

FEATURES

1/4" HARDWARE CLOTH TO BE GALVANIZED



OPTIONS

SPECIAL NOTES