



6390 Philips Highway  
 Jacksonville, FL 32216  
 Phone (904) 737-7144

**SPECIFICATION DATA SHEET**

**MODEL No. 349**

**ALUMINUM SIDEWALL VENT with SCREEN**

Date: 03/02/21 rev. Drawn by: J.E.P.

**DIMENSIONAL DATA**

PIPE SIZE	DIMENSION		
	A	B	C
3"	3"	5"	7"
4"	3"	5"	7"
5"	3"	7"	9"
6"	3"	7"	9"
7"	5"	9"	11"
8"	5"	9"	11"
9"	5"	9"	11"
10"	7-1/4"	12"	14"
12"	7-1/4"	12"	14"

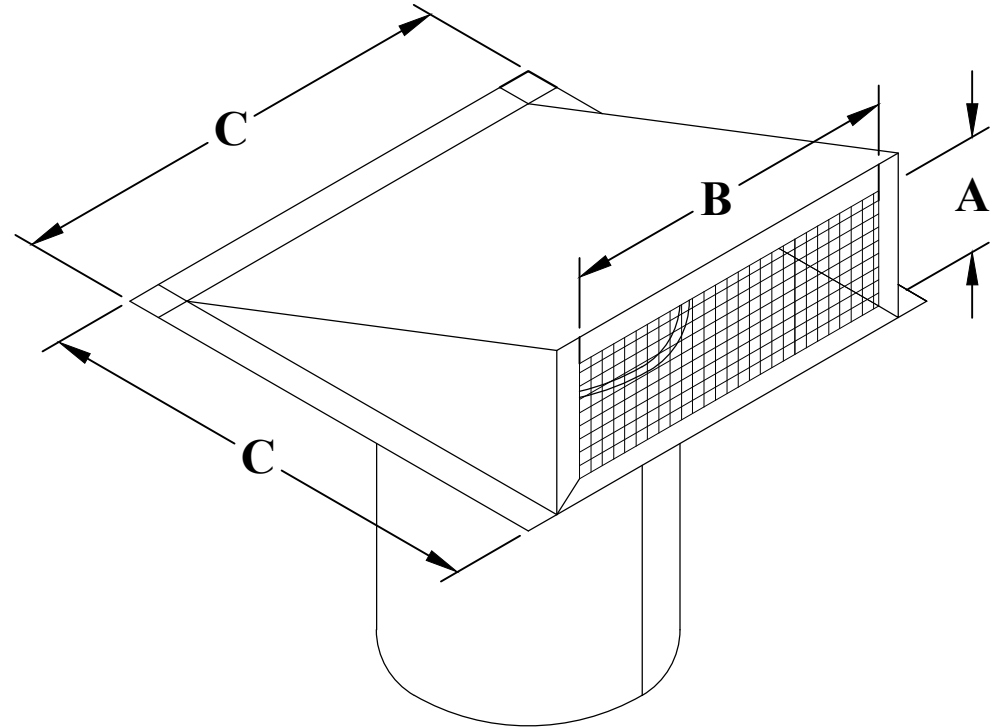
COLLAR LENGTH = 5-3/4" (ALL SIZES)

**FABRICATION DATA**

MATERIAL:  
 .025" THICK ALUMINUM ALLOY 3003 H14  
 (.032" THICK ALUMINUM AVAILABLE)

**FEATURES**

1/2" FLANGE TURNED IN AT VENT OPENING.  
 1/4" HARDWARE CLOTH WELDED OVER VENT OPENING.



**OPTIONS**

**SPECIAL NOTES**