



6390 Philips Highway  
 Jacksonville, FL 32216  
 Phone (904) 737-7144

**SPECIFICATION DATA SHEET**

**MODEL No. 349**

ALUMINUM SIDEWALL VENT with SCREEN

Date: 09/25/20 rev. Drawn by: J.E.P.

**DIMENSIONAL DATA**

PIPE SIZE	DIMENSION		
	A	B	C
3"	4"	6"	7"
4"	4"	6"	7"
5"	4"	8"	9"
6"	4"	8"	9"
7"	6"	10"	11"
8"	6"	10"	11"
9"	6"	10"	11"
10"	8-1/4"	13"	14"
12"	8-1/4"	13"	14"

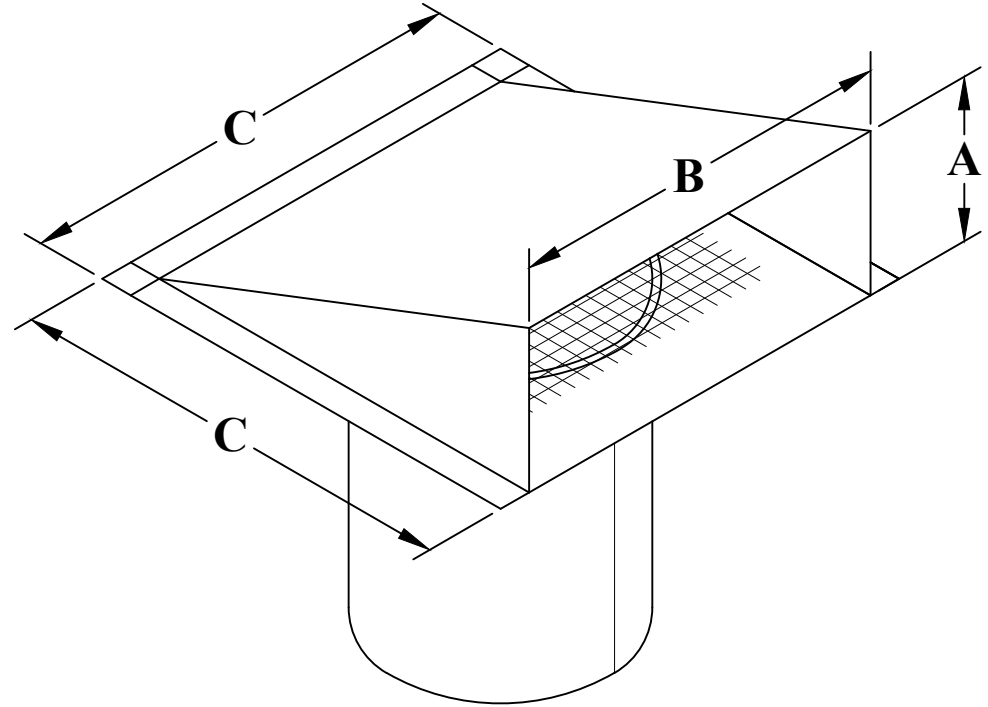
COLLAR LENGTH = 5-3/4" (ALL SIZES)

**FABRICATION DATA**

MATERIAL:  
 .025" THICK ALUMINUM ALLOY 3003 H14  
 (.032" THICK ALUMINUM AVAILABLE)

**FEATURES**

1/4" HARDWARE CLOTH TO BE GALVANIZED



**OPTIONS**

**SPECIAL NOTES**