



6390 Phillips Highway
 Jacksonville, FL 32216
 Phone (904) 737-7144

SPECIFICATION DATA SHEET

MODEL No. 349-SD

SIDEWALL VENT with SCREEN and DAMPER

Date: 09/25/20

Drawn by: J.E.P.

DIMENSIONAL DATA

PIPE SIZE	DIMENSION		
	A	B	C
3"	4"	6"	7"
4"	4"	6"	7"
5"	4"	8"	9"
6"	4"	8"	9"
7"	6"	10"	11"
8"	6"	10"	11"
9"	6"	10"	11"
10"	8-1/4"	13"	14"
12"	8-1/4"	13"	14"

COLLAR LENGTH = 5-3/4" (ALL SIZES)

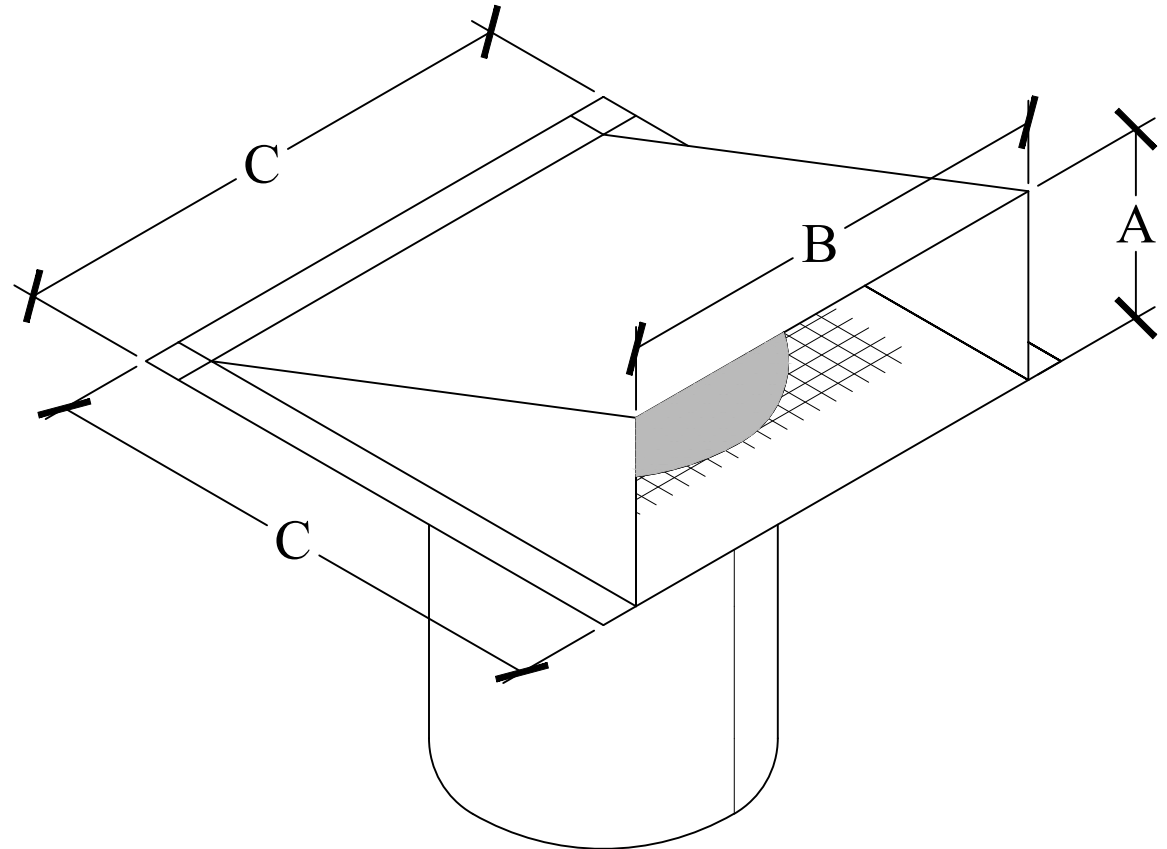
FABRICATION DATA

MATERIAL:
 FABRICATED FROM HOT DIPPED GALVANIZED STEEL SHEETS PER ASTM-A653 CS TYPE B.

GAUGES:
 3" THROUGH 9" = 28 GAUGE
 10" THROUGH 12" = 26 GAUGE

FEATURES

1/4" HARDWARE CLOTH WELDED OVER HOLE IN PLATE.
 FLAPPER DAMPER INSTALLED.



OPTIONS

SPECIAL NOTES