



6390 Philips Highway
 Jacksonville, FL 32216
 Phone (904) 737-7144

SPECIFICATION DATA SHEET

Model No. 342
ROOF JACK FOR FLAT ROOF

Date: 05/28/08 rev.

Drawn by: M.D.C.

DIMENSIONAL DATA

"A"	"B"	"C"	"D"
4"	6"	12"	9"
5"	7"	13"	9"
6"	8"	14"	9"
7"	9"	15"	9"
8"	10"	16"	9"
10"	12"	18"	9"
12"	16"	22"	11"

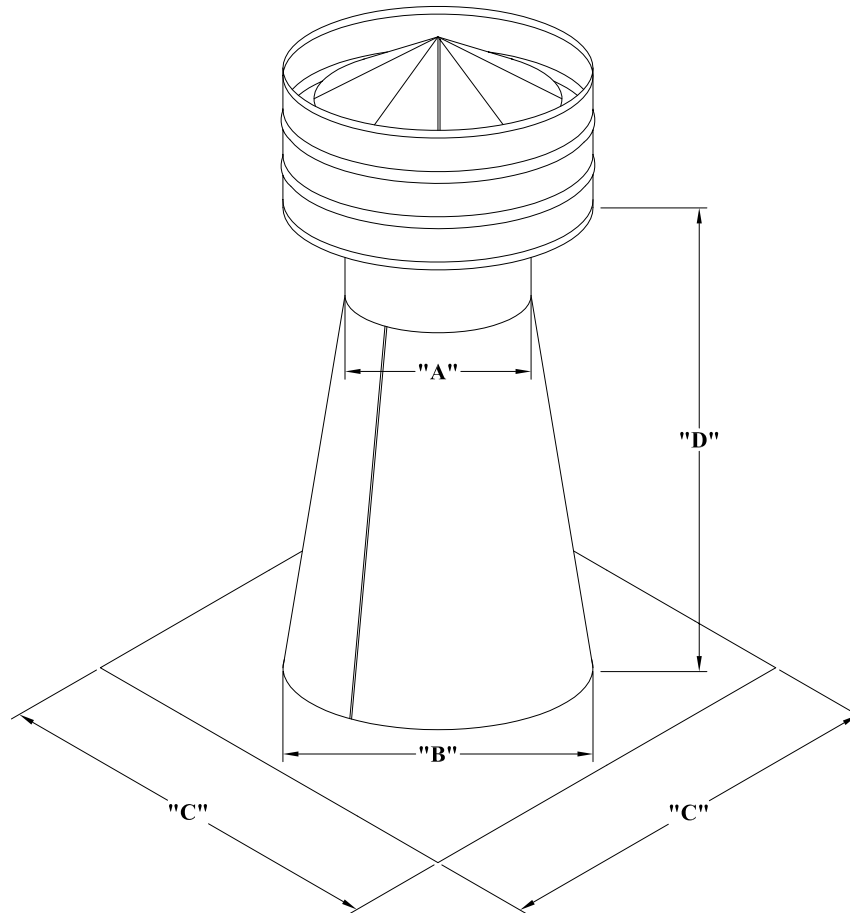
FABRICATION DATA

MATERIAL: HOT DIPPED GALVANIZED STEEL SHEET OF LOCK FORMING QUALITY PER ASTM-A653 CS TYPE B.

GAUGES:
 FLASHING - 4" THRU 8" 28 GAUGE
 9" THRU 12" 26 GAUGE
 VENT TOP - 4" THRU 7" 26 GAUGE
 8" THRU 12" 24 GAUGE

FEATURES

CONE SPOT WELDED TO FLASHING AND SEALED WITH SILICONE SEALANT.



ORDER BY "A" DIMENSION.

OPTIONS

SPECIAL NOTES

WE DO NOT WARRANT THESE ROOF MOUNTED FITTINGS TO BE LEAK-PROOF AGAINST ALL WEATHER CONDITIONS.
 WE DO NOT GUARANTEE THE FITTINGS WILL PREVENT RAIN WATER INTRUSION FROM WIND BLOWN RAIN OR TORRENTIAL STORM CONDITIONS.
 ADDITIONAL SEALING MIGHT BE NECESSARY AT THE DISCRETION OF THE INSTALLER.