



6390 Philips Highway
 Jacksonville, FL 32216
 Phone (904) 737-7144

SPECIFICATION DATA SHEET

MODEL No. 336

ROOF FLASHING

Date: 05/28/08 rev.

Drawn by: M.D.C.

DIMENSIONAL DATA

"A"	"B"	"C"
3"	7"	13"
4"	8"	14"
5"	9"	15"
6"	10"	16"
7"	12"	18"
8"	12"	18"
9"	14"	20"
10"	14"	20"
12"	16"	22"
14"	20"	26"
16"	22"	29"
18"	26"	34"

"D" = 4" MINIMUM

FABRICATION DATA

FABRICATED FROM HOT DIPPED GALVANIZED STEEL SHEET OF LOCK FORMING QUALITY PER ASTM A653 CS TYPE B.

GAUGES:
 3" THROUGH 8": 28 GAUGE
 9" THROUGH 12": 26 GAUGE
 14" THROUGH 18": 24 GAUGE

FEATURES

CONE SPOT WELDED TO FLASHING AND SEALED WITH SILICONE SEALANT.

CONTINUOUS WELD LONGITUDINAL SEAM.

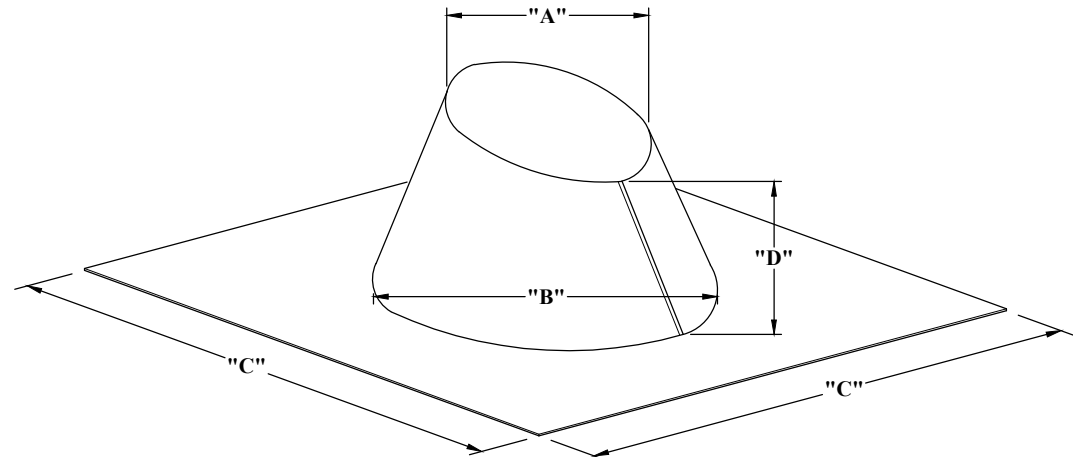
4/12 PITCH STANDARD.

OPTIONS

TALL CONE FLASHINGS FOR FLAT ROOFS.
 AVAILABLE FOR OTHER ROOF PITCHES.

SPECIAL NOTES

WE DO NOT WARRANT THESE ROOF MOUNTED FITTINGS TO BE LEAK-PROOF AGAINST ALL WEATHER CONDITIONS.
 WE DO NOT GUARANTEE THE FITTINGS WILL PREVENT RAIN WATER INTRUSION FROM WIND BLOWN RAIN OR TORRENTIAL STORM CONDITIONS.
 ADDITIONAL SEALING MIGHT BE NECESSARY AT THE DISCRETION OF THE INSTALLER.



ORDER BY "A" DIMENSION.