



6390 Philips Highway
Jacksonville, FL 32216
Phone (904) 737-7144

SPECIFICATION DATA SHEET

MODEL No. 3310-DS

**TAKEOFF COLLAR FOR ROUND PIPE
WITH GASKET RING, MANUAL VOLUME DAMPER
AND 2" DAMPER HANDLE STANDOFF**

Date: 06/11/20 rev. Drawn by: M.D.C.

DIMENSIONAL DATA

SIZES AVAILABLE: 6" THROUGH 20"

COLLAR LENGTH: 6"

1- 1/2" WIDE FLANGE.

FABRICATION DATA

MATERIAL:
FABRICATED FROM HOT DIPPED GALVANIZED
STEEL SHEETS PER ASTM-A653 CS TYPE B.

SIZE	BODY	DAMPER BLADE
6" - 8"	28 GA.	24 GA.
9" - 14"	26 GA.	24 GA.
16" - 20"	24 GA.	22 GA.

FEATURES

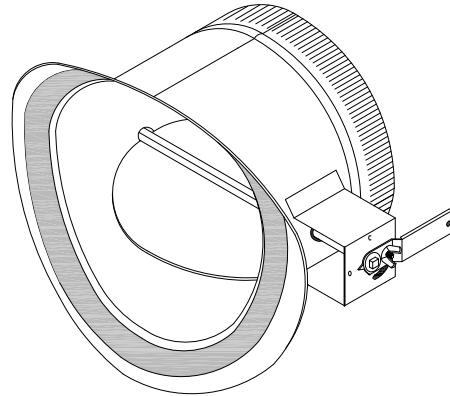
CONTINUOUS WELD LONGITUDINAL SEAM
FOR NO AIR LEAKAGE AT 2" W.G. STATIC
PRESSURE.

FLANGE WITH GASKET AND PRE-DRILLED SCREW
HOLES FOR EASE OF INSTALLATION.

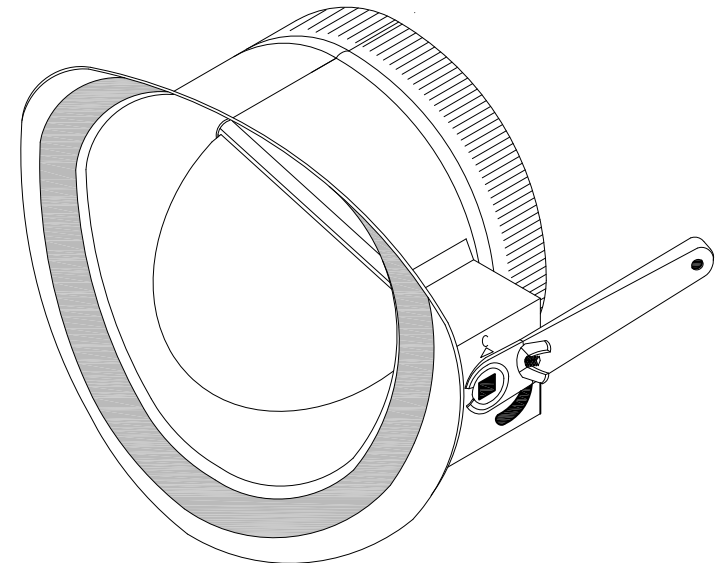
SIZES 6" THROUGH 12" HAVE MANUAL VOLUME
DAMPER WITH 1/4" CONTINUOUS ROD DAMPER
AXIS WITH LOCKING REGULATOR, GROMMETS
INSTALLED AT THE COLLAR PENETRATIONS.

SIZES 14" THROUGH 20": 3/8" CONTINUOUS ROD
DAMPER AXIS WITH LOCKING REGULATOR,
NYLON GROMMETS INSTALLED AT THE
COLLAR PENETRATIONS.

2" DAMPER HANDLE STANDOFF.



**CONFIGURATION OF
6" THROUGH 12" DIAMETERS**



**CONFIGURATION OF
14" THROUGH 20" DIAMETERS**

SPECIAL NOTES

RECOMMENDED INSTALLATION: DAMPER AXIS PARALLEL TO AIR FLOW.
MADE TO MEET S.M.A.C.N.A. GAUGE STANDARDS. MAXIMUM 2" W.G. STATIC PRESSURE SCHEDULE.
(S.M.A.C.N.A. HVAC DUCT CONSTRUCTION STANDARDS, SECOND EDITION-1995)