



6390 Philips Highway  
Jacksonville, FL 32216  
Phone (904) 737-7144

## SPECIFICATION DATA SHEET

# MODEL No. 3305

45° TAKEOFF FOR ROUND PIPE WITH GASKET FLANGE

Date: 03/06/19 rev.

Drawn by: M.D.C.

### DIMENSIONAL DATA

BRANCH DUCT DIAMETER	APPROX. TRUNK OPENING
6"	12" x 6"
7"	13" x 7"
8"	14" x 8"
9"	15" x 9"
10"	16" x 10"
12"	18" x 12"
14"	20" x 14"
16"	22" x 16"
18"	24" x 18"
20"	26" x 20"

### FABRICATION DATA

MATERIAL:  
HOT DIPPED GALVANIZED STEEL SHEET  
PER ASTM-A653 CS TYPE B.

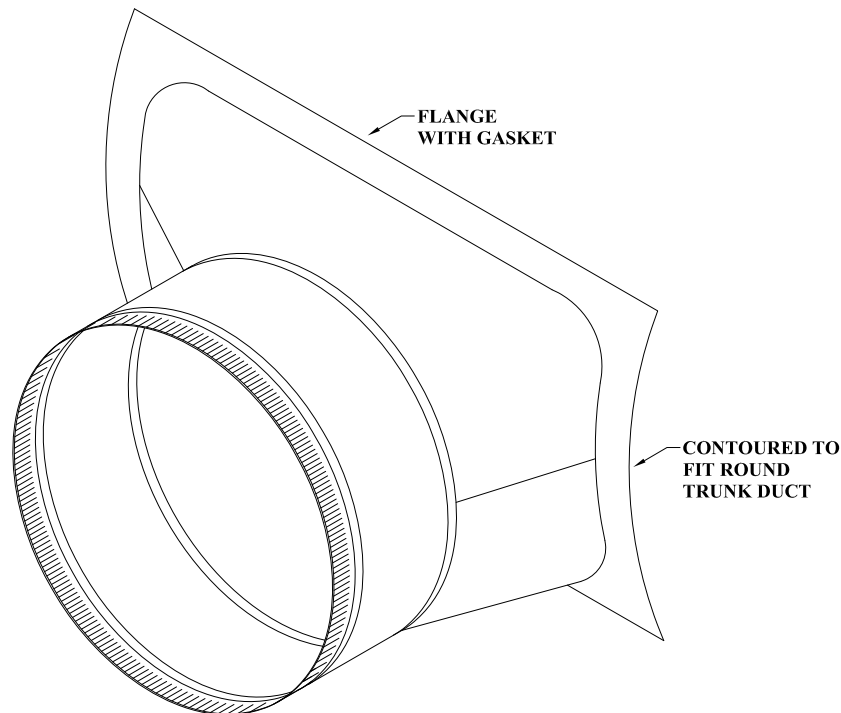
SIZE	
6" - 8"	28 GA.
9" - 14"	26 GA.
16" - 20"	24 GA.

### FEATURES

CONTINUOUS WELD LONGITUDINAL SEAM  
FOR NO AIR LEAKAGE AT 2" W.G. STATIC  
PRESSURE.

1" WIDE FLANGE WITH GASKET CONTOURED TO  
FIT ROUND TRUNK DUCT.

5 3/8" LONG COLLAR.



### SPECIAL NOTES

MADE TO MEET S.M.A.C.N.A. GAUGE STANDARDS. MAXIMUM 10" W.G. STATIC PRESSURE SCHEDULE.  
(S.M.A.C.N.A. HVAC DUCT CONSTRUCTION STANDARDS, THIRD EDITION-2005)

ORDER BY BRANCH DUCT DIAMETER.  
PLEASE NOTE TRUNK DUCT SIZE WHEN ORDERING.