



6390 Philips Highway
Jacksonville, FL 32216
Phone (904) 737-7144

SPECIFICATION DATA SHEET

MODEL No. 3212

CONICAL TAKEOFF
FOR ROUND TRUNK DUCT

Date: 09/11/13

Drawn by: M.D.C.

DIMENSIONAL DATA

SIZES AVAILABLE: 4" THROUGH 20"

CONICAL CONNECTION HOLE TO TRUNK DUCT
IS APPROXIMATELY 2" GREATER THAN
BRANCH DUCT DIMENSION.

5 3/8" LONG COLLAR.

FABRICATION DATA

MATERIAL:
FABRICATED FROM HOT DIPPED GALVANIZED
STEEL SHEETS PER ASTM-A653 CS TYPE B.

GAUGES:

4" THROUGH 8" = 28 GAUGE

9" THROUGH 14" = 26 GAUGE

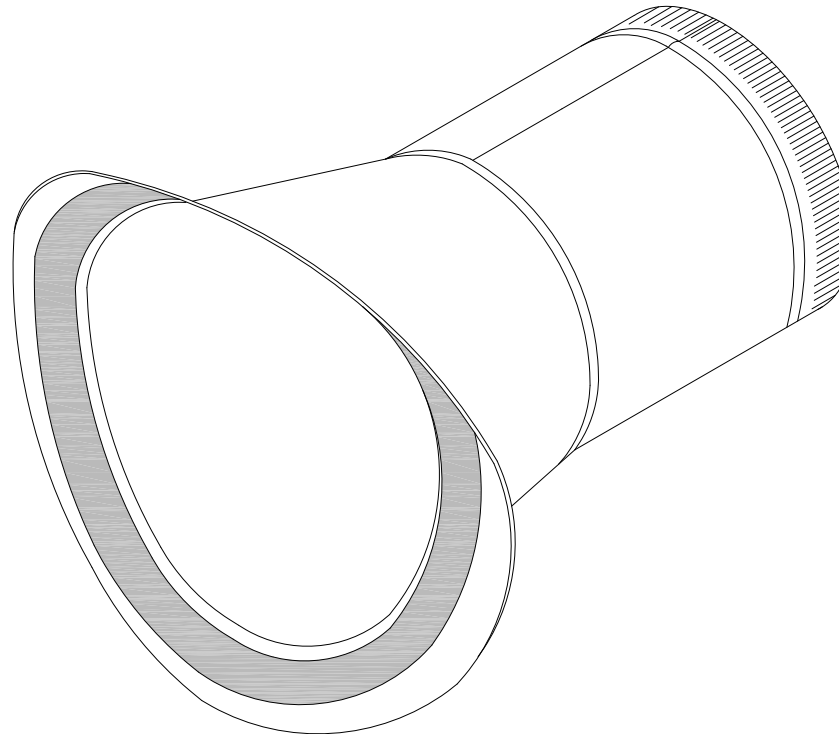
16" THROUGH 20" = 24 GAUGE

FEATURES

CONTINUOUS WELD LONGITUDINAL SEAM
FOR NO AIR LEAKAGE AT 2" W.G. STATIC
PRESSURE.

1" WIDE FLANGE WITH GASKET AND
PRE-DRILLED SCREW HOLES FOR EASE OF
INSTALLATION.

TAKEOFF CONTOURED TO MATCH RADIUS OF
TRUNK DUCT.



SPECIAL NOTES

MADE TO MEET S.M.A.C.N.A. GAUGE STANDARDS. MAXIMUM 2" W.G. STATIC PRESSURE SCHEDULE.
(S.M.A.C.N.A. HVAC DUCT CONSTRUCTION STANDARDS, SECOND EDITION-1995)

NOTE BRANCH DUCT DIMENSION WHEN ORDERING.