



6390 Philips Highway
Jacksonville, FL 32216
Phone (904) 737-7144

SPECIFICATION DATA SHEET

MODEL No. 3211-DS-FL

CONICAL TAKE OFF FOR 1 1/2" THICK DUCT BOARD
WITH GASKET RING AND MANUAL VOLUME DAMPER
AND DAMPER HANDLE STANDOFF

Date: 06/10/20 rev.

Drawn by: M.D.C.

DIMENSIONAL DATA

SIZES AVAILABLE: 4" THROUGH 20"

CONICAL CONNECTION HOLE TO TRUNK DUCT IS APPROXIMATELY 2" GREATER THAN BRANCH DUCT DIMENSION.

FABRICATION DATA

FABRICATED FROM HOT DIPPED GALVANIZED STEEL SHEET OF LOCK FORMING QUALITY PER ASTM-A653 CS TYPE B.

SIZE	BODY	DAMPER BLADE
4" - 8"	28 GA.	24 GA.
9" - 14"	26 GA.	24 GA.
16" - 20"	24 GA.	22 GA.

FEATURES

CONTINUOUS WELD LONGITUDINAL SEAM FOR NO AIR LEAKAGE @ 2" W.G. STATIC PRESSURE.

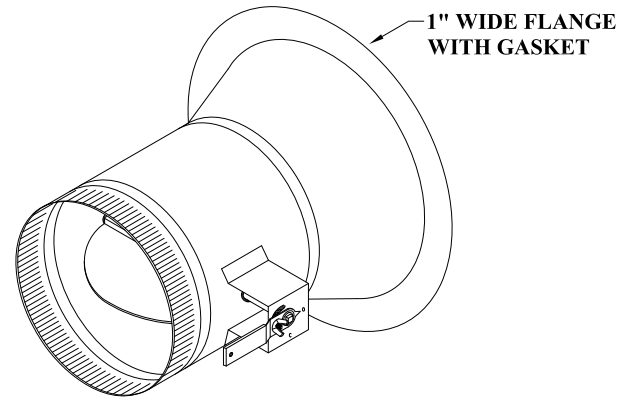
1" WIDE FLANGE WITH GASKET

5 3/8" LONG COLLAR.

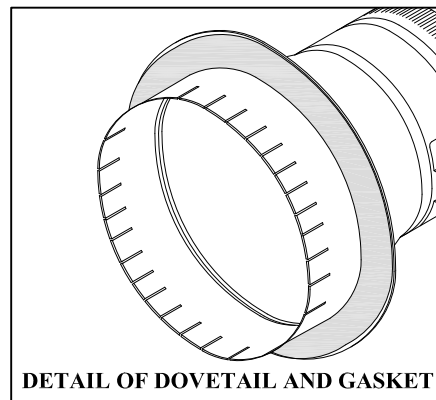
SIZES 4" THROUGH 12" HAVE MANUAL VOLUME DAMPER WITH 1/4" CONTINUOUS ROD DAMPER AXIS WITH LOCKING REGULATOR, GROMMETS INSTALLED AT THE COLLAR PENETRATIONS.

SIZES 14" THROUGH 20": CONTINUOUS ROD DAMPER AXIS WITH LOCKING REGULATOR, NYLON GROMMETS INSTALLED AT THE COLLAR PENETRATIONS.

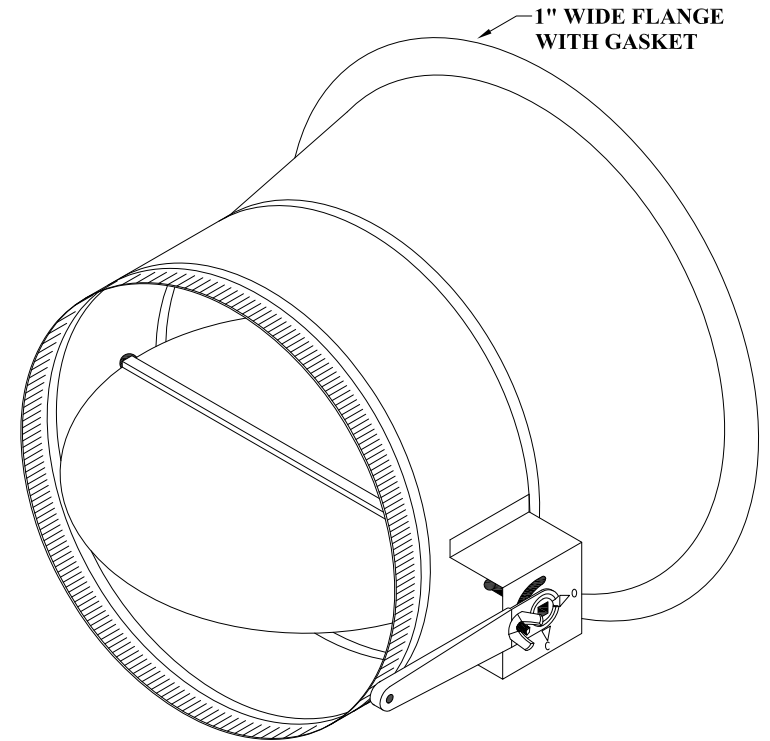
2" DAMPER HANDLE STANDOFF.



CONFIGURATION OF
4" THROUGH 12" DIAMETERS



DETAIL OF DOVETAIL AND GASKET



CONFIGURATION OF
14" THROUGH 20" DIAMETERS

OPTIONS

SPECIAL NOTES

RECOMMENDED INSTALLATION: DAMPER AXIS PARALLEL TO AIR FLOW.

MADE TO MEET S.M.A.C.N.A. GAUGE STANDARDS. MAXIMUM 2" W.G. STATIC PRESSURE SCHEDULE. (S.M.A.C.N.A. HVAC DUCT CONSTRUCTION STANDARDS, SECOND EDITION-1995)

NOTE BRANCH DUCT DIMENSION WHEN ORDERING.