



6390 Philips Highway  
 Jacksonville, FL 32216  
 Phone (904) 737-7144

**SPECIFICATION DATA SHEET**

**MODEL No. 3211-D-DB**

**CONICAL TAKE OFF FOR 1" THICK DUCT BOARD  
 WITH GASKET RING AND MANUAL VOLUME DAMPER**

Date: 07/26/12 rev.

Drawn by: M.D.C.

**DIMENSIONAL DATA**

SIZES AVAILABLE: 4" THROUGH 20"

CONICAL CONNECTION HOLE TO TRUNK DUCT IS APPROXIMATELY 2" GREATER THAN BRANCH DUCT DIMENSION.

**FABRICATION DATA**

FABRICATED FROM HOT DIPPED GALVANIZED STEEL SHEET OF LOCK FORMING QUALITY PER ASTM-A653 CS TYPE B.

SIZE	BODY	DAMPER BLADE
4" - 8"	28 GA.	24 GA.
9" - 14"	26 GA.	24 GA.
16" - 20"	24 GA.	22 GA.

**FEATURES**

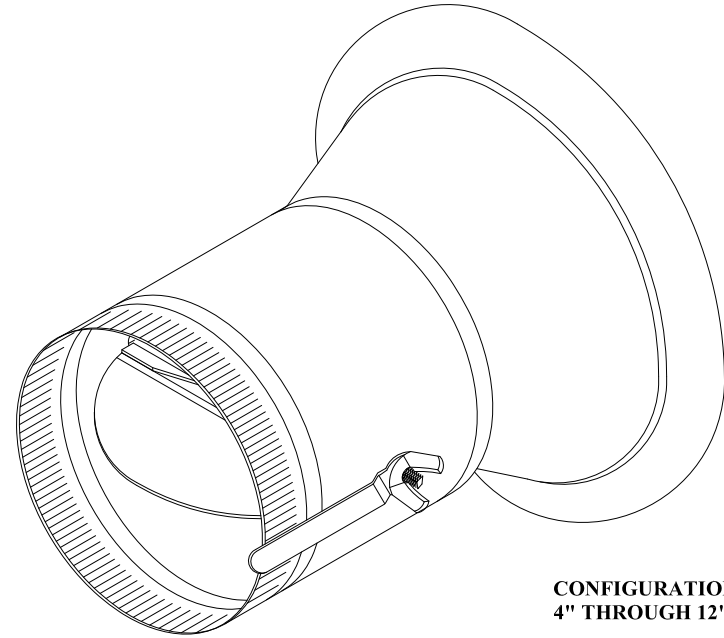
CONTINUOUS WELD LONGITUDINAL SEAM FOR NO AIR LEAKAGE @ 2" W.G. STATIC PRESSURE.

1" WIDE FLANGE WITH GASKET

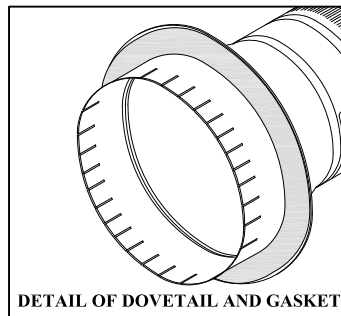
SIZES 4" THROUGH 12": REINFORCED DAMPER AXIS WITH 1/4" REGULATOR, END BEARING WITH WASHER AND WING NUT.

SIZES 14" THROUGH 20": CONTINUOUS ROD DAMPER AXIS WITH LOCKING REGULATOR, NYLON GROMMETS INSTALLED AT THE COLLAR PENETRATIONS.

5 3/8" LONG COLLAR.



**CONFIGURATION OF  
 4" THROUGH 12" DIAMETERS**



**DETAIL OF DOVETAIL AND GASKET**

**OPTIONS**

**SPECIAL NOTES**

RECOMMENDED INSTALLATION: DAMPER AXIS PARALLEL TO AIR FLOW.

MADE TO MEET S.M.A.C.N.A. GAUGE STANDARDS. MAXIMUM 2" W.G. STATIC PRESSURE SCHEDULE. (S.M.A.C.N.A. HVAC DUCT CONSTRUCTION STANDARDS, SECOND EDITION - 1995)

**NOTE BRANCH DUCT DIMENSION WHEN ORDERING.**