



6390 Philips Highway  
Jacksonville, FL 32216  
Phone (904) 737-7144

## SPECIFICATION DATA SHEET

# MODEL No. 3210 w/Scoop

CONICAL TAKEOFF WITH GASKET RING  
AND SCOOP

Date: 01/07/13

Drawn by: M.D.C.

### DIMENSIONAL DATA

SIZES AVAILABLE: 4" THROUGH 20" DIAMETER

ORDER BY BRANCH DUCT DIMENSION.  
HOLE DIMENSION CUT IN TRUNK DUCT IS  
2" GREATER THAN BRANCH DUCT.

5 3/8" LONG COLLAR.

### FABRICATION DATA

MATERIAL:  
HOT DIPPED GALVANIZED STEEL SHEET  
PER ASTM-A653 CS TYPE B.

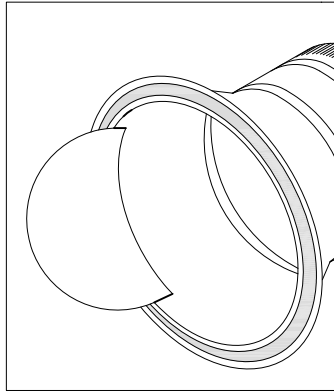
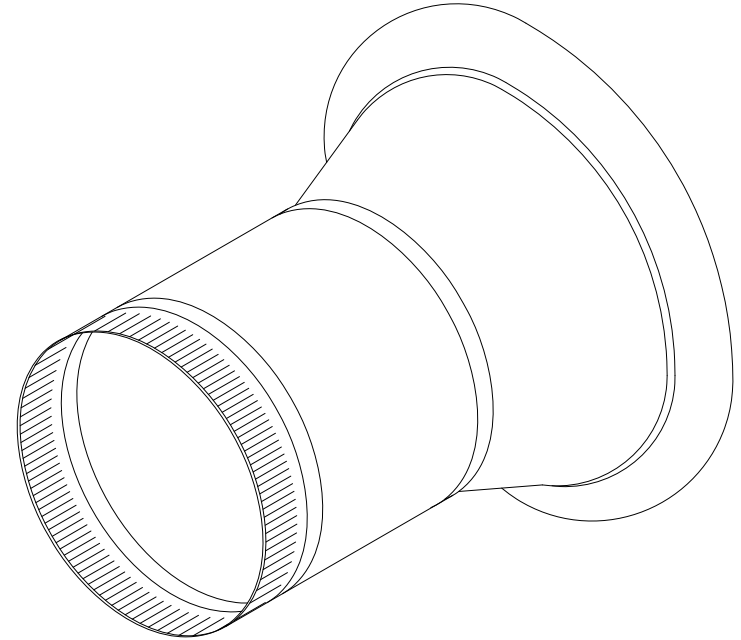
GAUGES:  
SIZES 4" - 8" 28 GAUGE  
SIZES 9" - 14" 26 GAUGE  
SIZES 16" - 20" 24 GAUGE

### FEATURES

FABRICATED WITH CONTINUOUS WELD  
LONGITUDINAL SEAM, NO AIR LEAKAGE  
@ 2" W.G. STATIC PRESSURE.

FABRICATED WITH 1" WIDE GASKETED FLANGE  
WITH PRE-DRILLED SCREW HOLES FOR EASE  
OF INSTALLATION.

SCOOP.



### OPTIONS

### SPECIAL NOTES

MADE TO MEET S.M.A.C.N.A. GAUGE STANDARDS. MAXIMUM 2" W.G. STATIC PRESSURE SCHEDULE.  
(S.M.A.C.N.A. HVAC DUCT CONSTRUCTION STANDARDS, SECOND EDITION - 1995)